

**ebm-papst St. Georgen GmbH & Co. KG**

Hermann-Papst-Str. 1

D-78112 St. Georgen

Phone +49 (0) 7724 81-0

Fax +49 (0) 7724 81-1309

info2@de.ebmpapst.com

www.ebmpapst.com

**Nominal data**

Type	ACI 4420 H	
Phase		1~
Nominal voltage	VAC	230
Nominal voltage range	VAC	195 .. 265
Speed	min <sup>-1</sup>	3000
Power input	W	3.3
Min. ambient temperature	°C	-20
Max. ambient temperature	°C	75
Air flow	m <sup>3</sup> /h	160
Sound power level	B	5.1
Sound pressure level	dB(A)	39

ml = max. load · me = max. efficiency · fa = running at free air · cs = customer specs · cu = customer unit  
 Subject to alterations

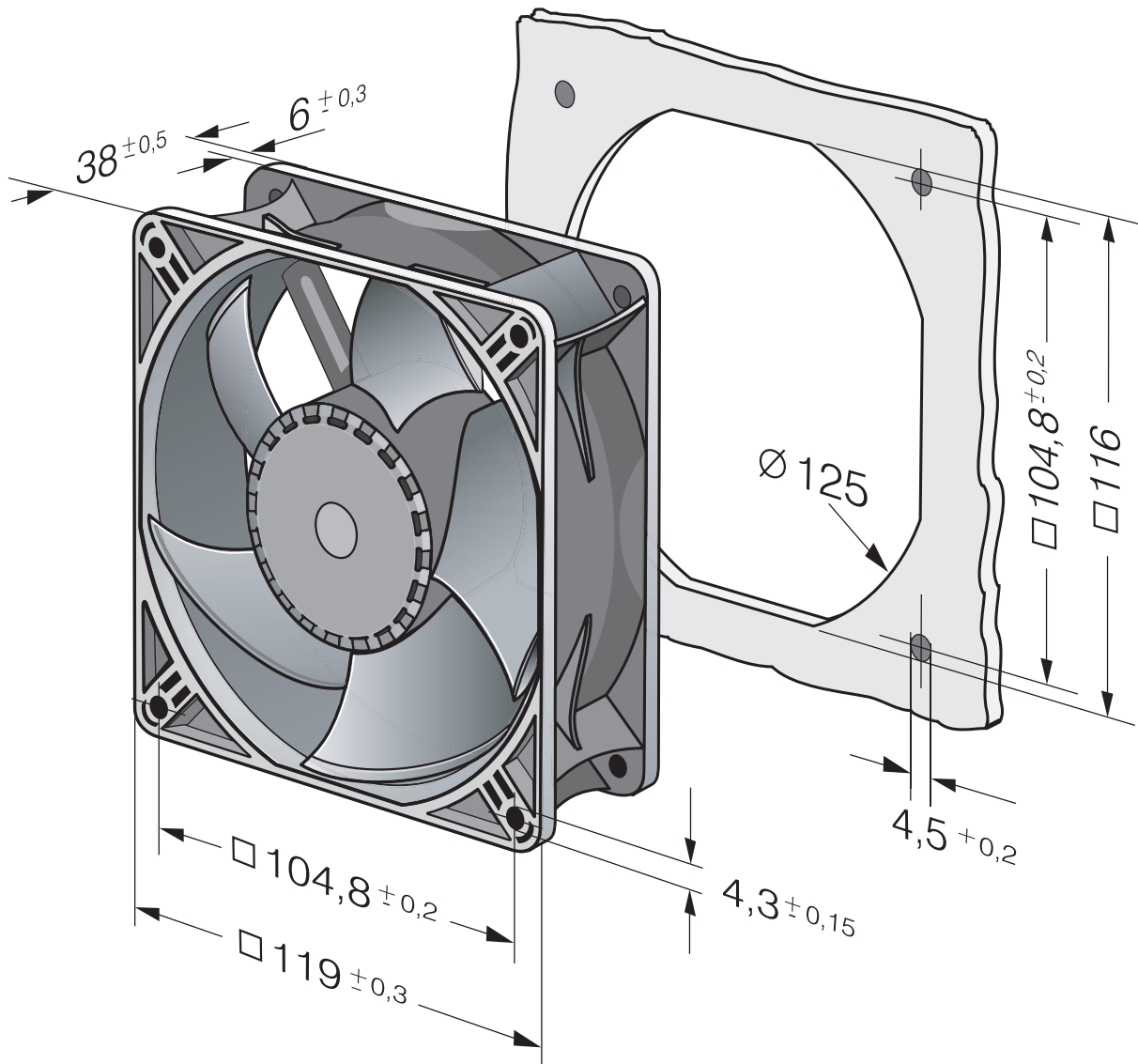


**Technical features**

<b>Mass</b>	0.25 kg
<b>Dimensions</b>	119 x 119 x 38 mm
<b>Lifetime L10 at 40 °C</b>	70000 h
<b>Lifetime L10 at maximum temperature</b>	30000 h



## Product drawing



## Charts

