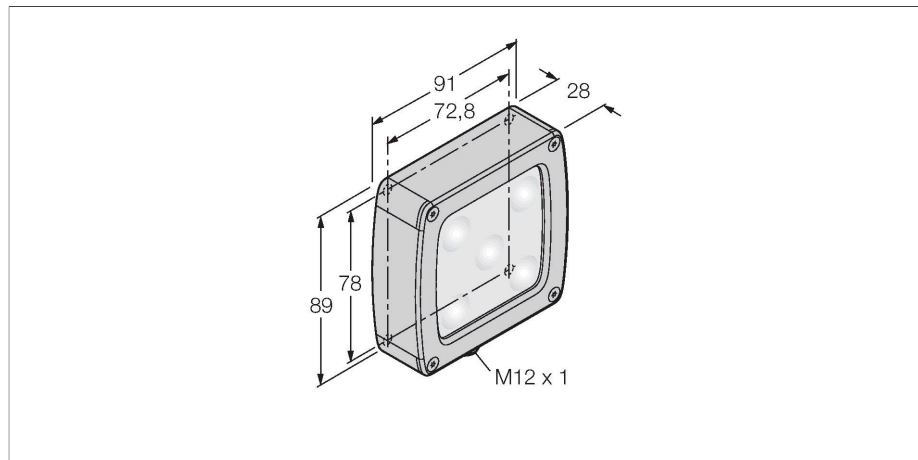


LEDUV395A70AD5-PQ

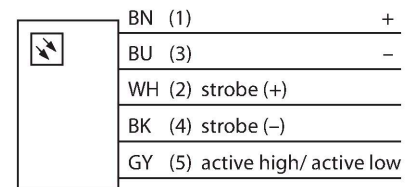
Vision System – Area Light



Features

- High-intensity area light
- Light intensity, adjustable
- Protection class: IP68
- Aluminium housing
- Plastic window, opaque
- Light intensity, adjustable
- Power supply: 24 VDC
- M12 x 1 male
- Plastic window, opaque

Wiring diagram



Technical data

Type	LEDUV395A70AD5-PQ
ID	3019907
Signal and display data	
Purpose	Image processing
Function	Area light
Light type	UV
Wavelength	395 nm
LED service life (L70)	50000 h
Dimmable	yes
Features of color 1	UV
Special features	Wash down
Electrical data	
Operating voltage	24 VDC
DC rated operational current	≤ 350 mA
Max. current consumption per color	500 mA
Mechanical data	
Design	Rectangular
Dimensions	102 x 91 x 28.2 mm
Housing material	Metal, Nickel-plated aluminum
Window material	Plastic, diffuse
Electrical connection	Connector, M12 × 1, PVC
Number of cores	5
Ambient temperature	0...+50 °C
Protection class	IP68
Tests/approvals	
Approvals	CE, cULus listed

Functional principle

Area lights are perfectly suited for uniform illumination of a determined area.

