



Home Profile AC Fans DC Fans Fan Accessories Motors Technical Support Contact Us

PDF File Print page



AC S938AP



# 92x92x38.5mm / 3.6x1.5inch 52~26 CFM

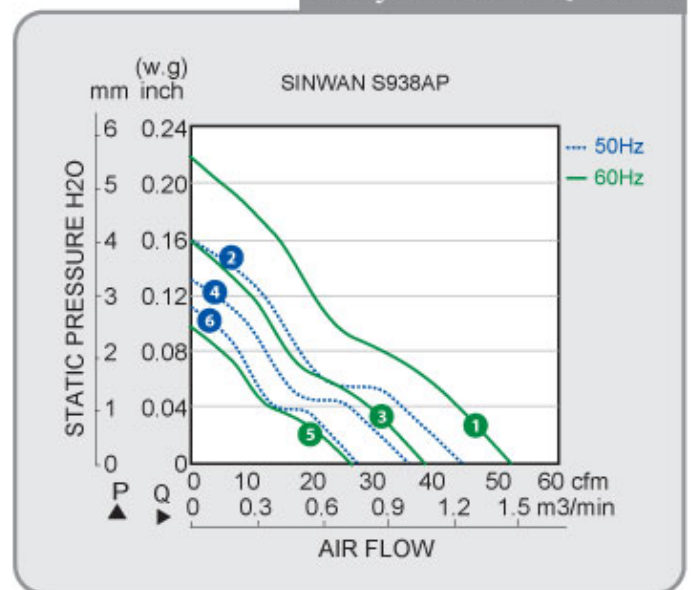
Sinwan Plastic Impeller Tubeaxial Fan

Model No	Rated Volt	Voltage Range	Freq	Input Power	Ref. Speed	Max. Airflow		Max. Static Pressure		Noise Level	PQ
	VAC	VAC	Hz	Watt	RPM	CFM	m3/min	Inch/H2O	mm	db(A)	
S938AP-11-1**	115	100~120	50/60	11/9	2650/3100	43/52	1.2/1.5	0.16/0.22	4.06/5.59	33	2/1
S938AP-11-2**	115	100~120	50/60	7/5	2400/2500	36/39	1/1.1	0.13/0.16	3.3/4.06	27	4/3
S938AP-11-3**	115	100~120	50/60	4/3	2200/1900	29/26	0.8/0.7	0.12/0.10	3.05/2.54	24	6/5
S938AP-22-1**	230	200~240	50/60	11/9	2650/3100	43/52	1.2/1.5	0.16/0.22	4.06/5.59	33	2/1
S938AP-22-2**	230	200~240	50/60	7/5	2400/2500	36/39	1/1.1	0.13/0.16	3.3/4.06	27	4/3
S938AP-22-3**	230	200~240	50/60	4/3	1700/1500	24/22	0.7/0.6	0.09/0.08	2.29/2.03	21	6/5
S938AP-4-1**	24	24~28	50/60	11/9	2600/3100	41/50	1.2/1.4	0.16/0.22	4.06/5.59	33	2/1
S938AP-8-1**	48	48~58	50/60	11/9	2600/3100	41/50	1.2/1.4	0.16/0.22	4.06/5.59	33	2/1
S938AP-11/22-1** dual voltage	115 230	100~120 200~240	50/60	11/9	2600/3100	41/50	1.2/1.4	0.16/0.22	4.06/5.59	33	2/1

- \*\* = "WB" for wire lead type Ball bearing, or "TB" for terminal type Ball bearing
- 100, 200, 240V or special voltages 12, 24, 28, 38, 42, 48, 380~440~480... 50/60Hz, & dual voltage version available on request.
- Dual speed High/Medium 1/2, High/Low 1/3, Medium/Low 2/3, Low/extra Low 3/4 or triple speed 1/2/3 available on request.
- Sinwan reserves the right to change data and improve electrical or mechanical design without notice, data tolerance +-10%

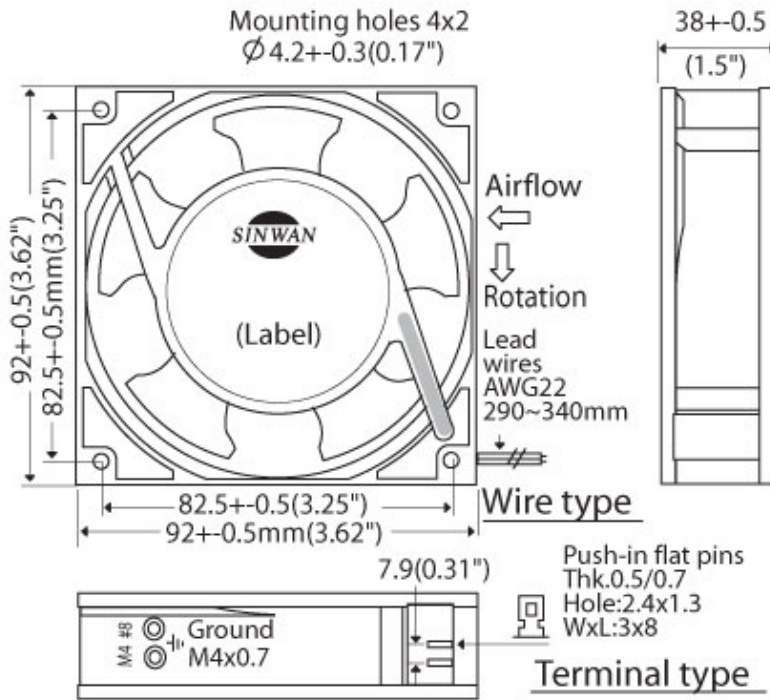
Motor	
Motor Type:	Shaded pole induction, inner rotor, 1-phase
Burnout Protection:	Impedance protected
IP Protection:	-
Mechanical	
Frame:	Aluminum die cast, black(S938AP)
Impeller:	5 blades, glass fiber reinforced plastic, rated UL94V-0
Bearing:	Two ball bearings. or sleeve bearing
Rotation:	CCW seen on rotor
Connection:	Wire leads, terminal flat pin
Weight:	430 g (0.99 Lbs)
Electrical	
Dielectric Strength:	Over 1 min.at 1,500 VAC, 0.5mA, 50/60 Hz
Insulation Resistance:	Over 100 MΩ at DC 500V
Signal Output:	
Environment	
Operating Temp:	Non-condensing ball bearing (-20C~+70C), sleeve (-10~+40C)
Storage Temp:	-40C~+100C (at 65%RH)
Life Expectancy:	Ball bearing 90K hours at 45C, 50K hours at 60C

### Performance P-Q Curves



Nomenclature
 Dual Voltage
 Multiple Speed

▶ Outline Dimensions



Relevant products



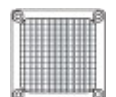
Metal Fan Guard  
 G92-13, G92-16



Plastic Fan Guard  
 G92P, G92P2, G92P25F,  
 G92P4



Plastic Fan Filter  
 GRM92-30, GRM92-45



Metal Fan Screen  
 MF92S-30N



RoHS