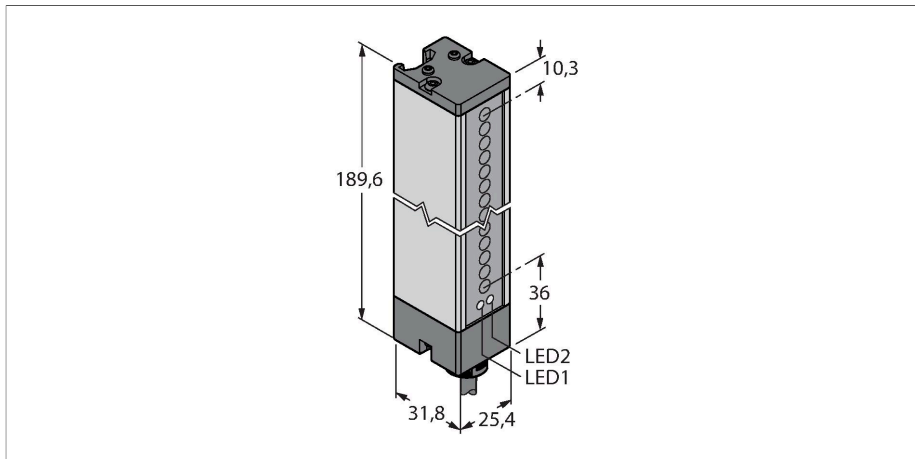


LX6RSR

Photoelectric Sensor – Opposed Mode Sensor (Receiver)

Receiver



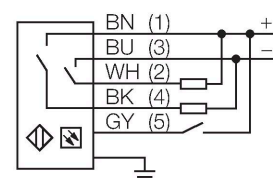
Technical data

| | |
|-----------------------------|------------------------|
| Type | LX6RSR |
| ID | 3002677 |
| Optical data | |
| Function | Light screen |
| Operating mode | Receiver |
| Optical resolution | 5.6 mm |
| Range | 75...200 mm |
| Scan field | 143 mm |
| Electrical data | |
| Operating voltage | 10...30 VDC |
| Residual ripple | < 10 % U _{ss} |
| No-load current | ≤ 100 mA |
| Short-circuit protection | yes |
| Reverse polarity protection | yes |
| Output function | NO contact, PNP/NPN |
| Current output | 125 mA |
| Response time typical | < 1.6 ms |
| Mechanical data | |
| Design | Rectangular, LX |
| Dimensions | 31.8 x 25.4 x 189.6 mm |
| Housing material | Metal, AL, Grey |
| Lens | plastic, Acrylic |
| Electrical connection | Cable, 2 m, PVC |
| Number of cores | 5 |
| Core cross-section | 0.5 mm ² |
| Ambient temperature | -20...+70 °C |

Features

- Cable, 2 m, 5-wire
- Protection class IP65
- Scan field 143 mm
- Minimum target size 5.6 mm
- Operating voltage: 10 ... 30 VDC
- Programmable connection for reduced sensing range
- 2 slot nuts including M5 screws for wall mounting included in the scope of delivery

Wiring diagram

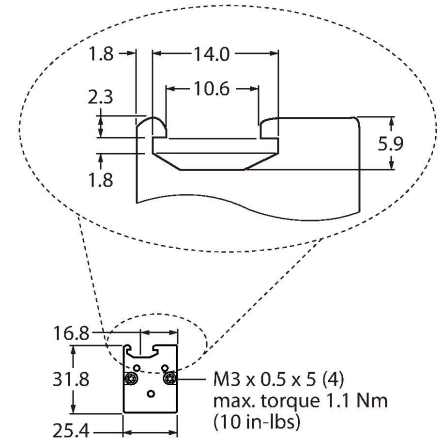


Functional principle

Light screens are used to monitor large areas. They consist of an emitter and a receiver. Switching light screens with scanning heights of up to 76 mm (LX3...) and up to 914 mm (LX36...) are available. The crossed beams of the LX light screen enable small objects and/or objects that are not standard shapes to be reliably detected.

Technical data

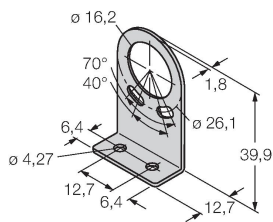
| | |
|------------------------|--|
| Relative humidity | 0...90 % |
| Protection class | IP65 |
| Power-on indication | LED, Green |
| Switching state | LED, Yellow |
| Error indication | LED, red, Flashing |
| Tests/approvals | |
| MTTF | 74 years acc. to SN 29500 (Ed. 99) 40 °C |
| Approvals | CE, cURus |



Accessories

SMBLX

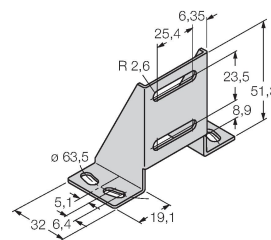
3002915



Mounting bracket, galvanized steel, for LX series, 2 pcs., not included in delivery

SMBLXR

3002914



Foot, galvanized steel, for LX series