



E89520 fans

 E329400 motors

[Home](#)
[Profile](#)
[AC Fans](#)
[DC Fans](#)
[Fan Accessories](#)
[Motors](#)
[Technical Support](#)
[Contact Us](#)

[PDF File](#)
[Print page](#)



AC SK162



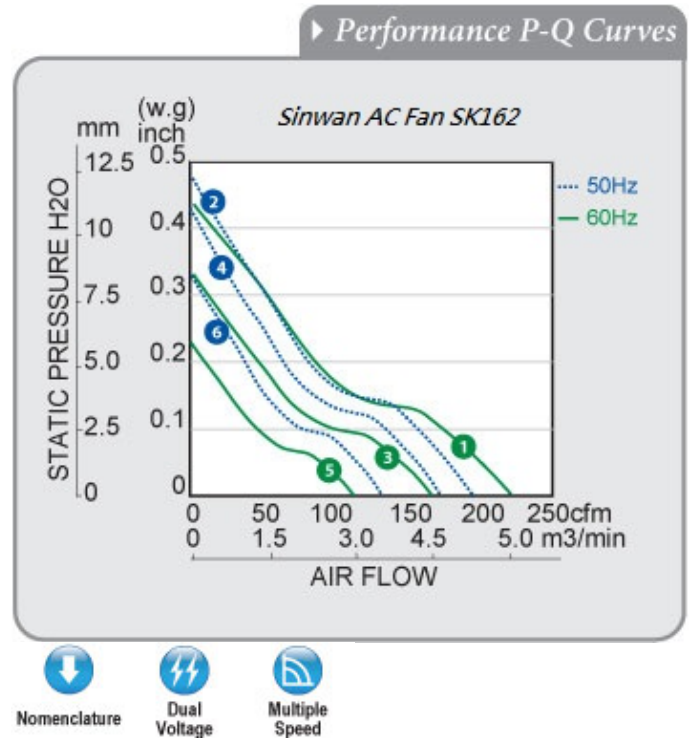
Dia.143x50mm / 6inch

210~115 CFM

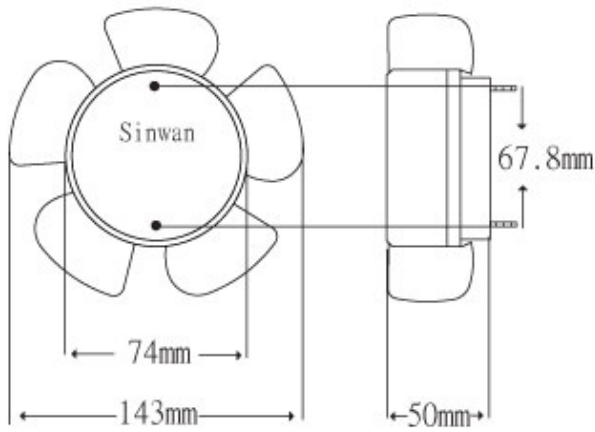
Model No	Rated Volt	Voltage Range	Freq	Input Power	Ref. Speed	Max. Airflow		Max. Static Pressure		Noise Level	PQ
	VAC	VAC	Hz	Watt	RPM	CFM	m3/min	Inch/H2O	mm	db(A)	
SK162AP-11-1	115	100~120	50/60	30/26	2500/2800	183/210	5.2/5.9	0.47/0.43	11.94/10.92	47	
SK162AP-11-2	115	100~120	50/60	24/20	2250/2400	165/180	4.7/5.1	0.40/0.36	10.16/9.14	40	
SK162AP-11-3	115	100~120	50/60	18/16	1600/1550	120/115	3.4/3.3	0.31/0.26	7.87/6.6	31	
SK162AP-22-1	230	200~240	50/60	30/26	2500/2800	183/210	5.2/5.9	0.47/0.43	11.94/10.92	47	
SK162AP-22-2	230	200~240	50/60	24/20	2250/2400	165/180	4.7/5.1	0.40/0.36	10.16/9.14	40	
SK162AP-22-3	230	200~240	50/60	18/16	1600/1550	120/115	3.4/3.3	0.31/0.26	7.87/6.6	31	

- The stated airflow, air pressure, noise levels are measured with housing orifice dia.: impeller Φ +1~1.5mm, at distance: approx. height of impeller + motor frame. The optimal operating data can only be depended on the installation conditions.
- ** = "WB" for wire lead type Ball bearing, or "TB" for terminal type Ball bearing
- 100, 200, 240V or special voltages 12, 24, 28, 38, 42, 48, 380~440~480... 50/60Hz, & dual voltage version available on request.
- Dual speed High/Medium 1/2, High/Low 1/3, Medium/Low 2/3, Low/extra Low 3/4 or triple speed 1/2/3 available on request.
- Sinwan reserves the right to change data and improve electrical or mechanical design without notice, data tolerance +-10%

Motor	
Motor Type:	Shaded pole induction, 1-phase
Burnout Protection:	Impedance protected
IP Protection:	
Mechanical	
Frame:	Aluminum die-cast, black color cosmetics
Impeller:	Glass fiber reinforced PBT thermoplastic impeller, UL94V-0
Bearing:	Two precision double sealed ball bearings
Rotation:	CW seen on rotor
Connection:	Wire lead
Weight:	910Gm(2.0Lb)
Electrical	
Dielectric Strength:	Over 1 min. at 1,500 VAC, 0.5mA, 50/60 Hz
Insulation Resistance:	Over 100 M Ω at DC 500V
Signal Output:	
Environment	
Operating Temp:	Ambient non-condensing -30~+70C
Storage Temp:	
Life Expectancy:	50K hours at 35C, 40K hours at 65C



▶ Outline Dimensions



Mounting screw x 2
M3.5 x 0.6P
L: 8.2+-1mm

*Screw Length can be changed
to meet customer requirement.

