



- A PART OF ADDTECH GROUP

DATA SHEET

Customer:	
Ref.:	
Order:	
Motor:	
Serial nr:	
Date:	03-08-2018

ASYNCHRONOUS MOTOR 3D 160L-4

Nameplate data:

Code: 112164

Type:	3D 160L-4			IP55	F/B	Amb. temp.: Max. 45°		
kW	Hz	V	A	Rpm	Cos	Eff. 100%	Duty	IE.class
15,00	50	380-415 D	28,50	1460	0,85	89,4%	S1	IE1-(Eff2)
15,00	50	690 Y	16,52	1460	0,85	89,4%		
18,00	60	440-480 D	29,74	1752	0,85	89,4%		

Description:

Mounting form:	B5
Bearing DE:	6309/C3
Bearing NDE:	6309/C3
Weight - Kg.:	130
Heater:	Heater 220V-240V
PTC:	PTC mounted
Kgm ² :	0,106
Sound press.-db(A):	64,0

Other:

Test data S1-duty, Amb.temp 40°C:

Voltage - V:	400
Frequency - Hz:	50
Power - kW:	15,00
Full load speed - Rpm:	1460
Full load current - A:	28,50
Full load power factor - Cos:	0,85
Locked rotor current - A:	213,8
Locked rotor factor - A_{st}/A_n :	7,5

Efficiency 100% load - %:	89,4%
Efficiency 75% load - %:	
Efficiency 50% load - %:	
Full load torque - Nm:	98,2
Locked rotor torque - Nm:	215,9
Locked rotor torque - Nm_{st}/Nm_n :	2,2
Max. Pull out torque - Nm:	225,8
Max. Pull out torque. - Nm_{st}/Nm_n :	2,3

Over load/speed test	kW	Hz	V	A	Rpm
Over load 160% - 15sec.	24,00	50	400	45,60	1460
Over speed 125% - 2 min.	15	63	400	28,50	1825
H-Pot test voltage: 1800V			Temp. rise in stator:		

The motor is produced in accordance with following harmonized standards:

IEC60034-1, IEC60034-2, IEC60034-5, IEC60034-6, IEC60034-7, IEC60034-8, IEC60034-9
IEC60034-12, IEC60034-14, IEC60034-30, IEC60072.

Additional specifications in accordance with:

RINA - GL - LRS - BV - DNV - ABS - KR - RR - CCS - CCC - RMRS.

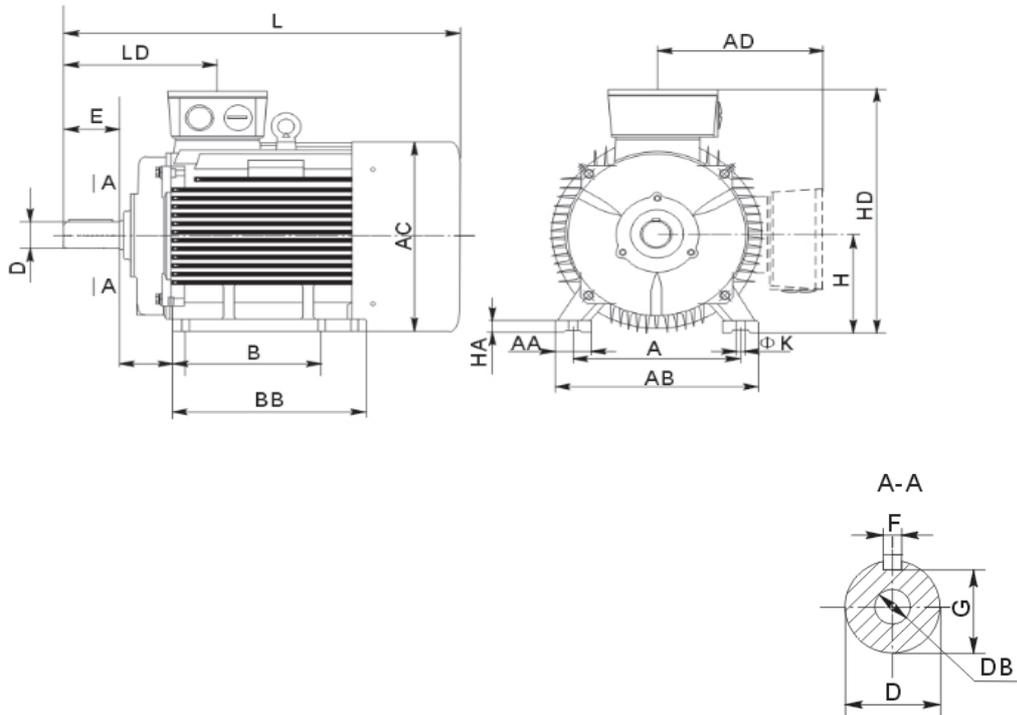


- A PART OF ADDTECH GROUP

DATA SHEET

Customer:	
Ref.:	
Order:	
Motor:	
Serial nr:	
Date:	03-08-2018

Foot mounted motor 3D 160L-4 B3



A: 254	HD: 440	E: 110
B: 254	C: 108	D: 42
AB: 320	H: 160	G: 37
AC: 320	K: 15	DB: M16
AD: 285	L: 675	F: 12
	L (V1): 725	

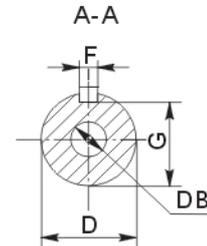
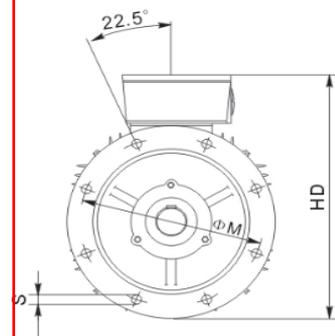
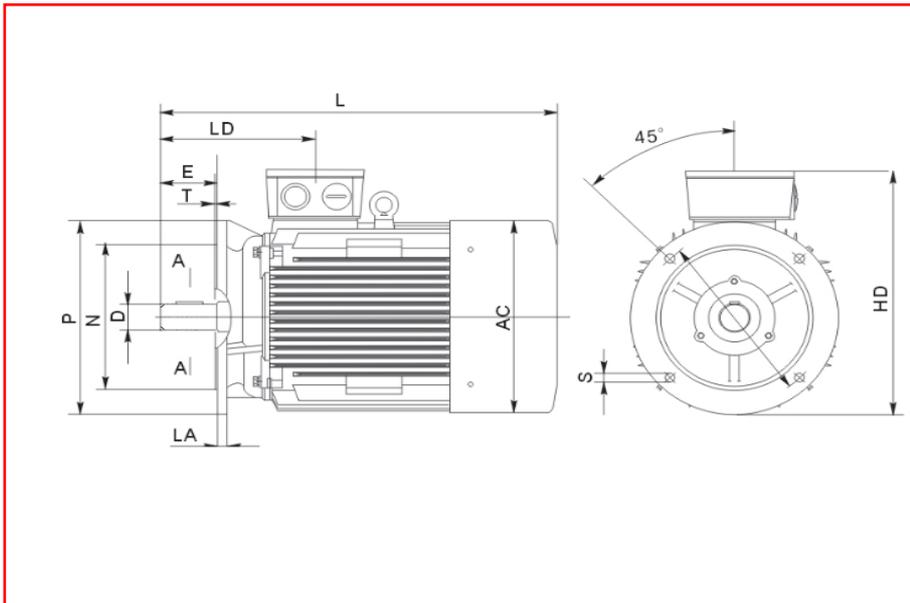


- A PART OF ADDTECH GROUP

DATA SHEET

Customer:	
Ref.:	
Order:	
Motor:	
Serial nr:	
Date:	03-08-2018

Flange mounted motor 3D 160L-4 B5 (V1)



M: 300	HD: 440	E: 110
N: 250	L: 675	D: 42
P: 350	L (V1): 725	G: 37
S: 19		DB: M16
		F: 12

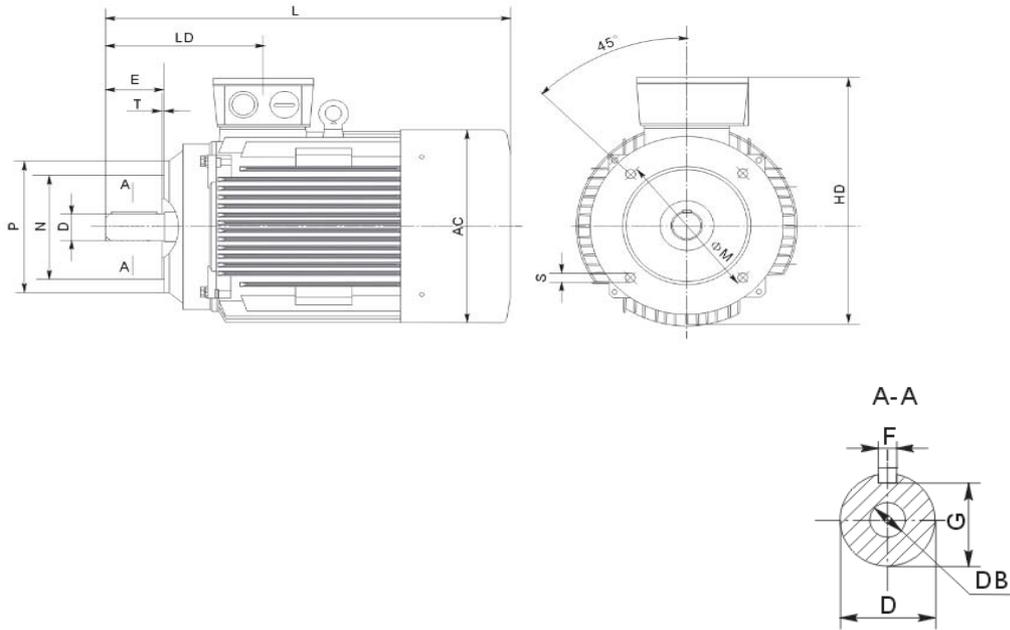


- A PART OF ADDTECH GROUP

DATA SHEET

Customer:	
Ref.:	
Order:	
Motor:	
Serial nr:	
Date:	03-08-2018

Flange mounted motor B14A & B14B



Flange type:	B14A	B14B		
M:	0		HD:	440
N:	0		L:	675
P:	0		L (V1):	725
S:	0		E:	110
			D:	42
			G:	37
			DB:	M16
			F:	12

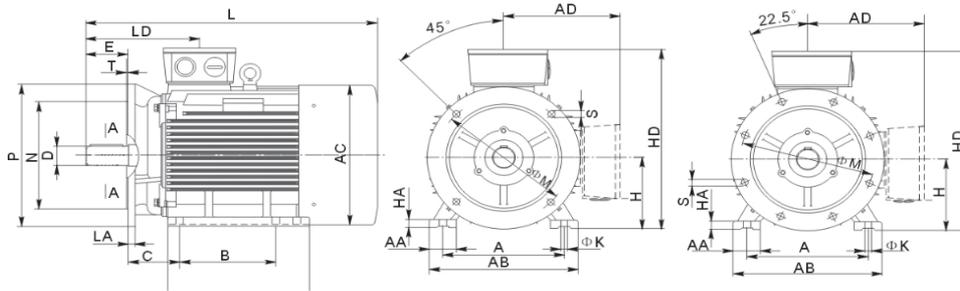


- A PART OF ADDTECH GROUP

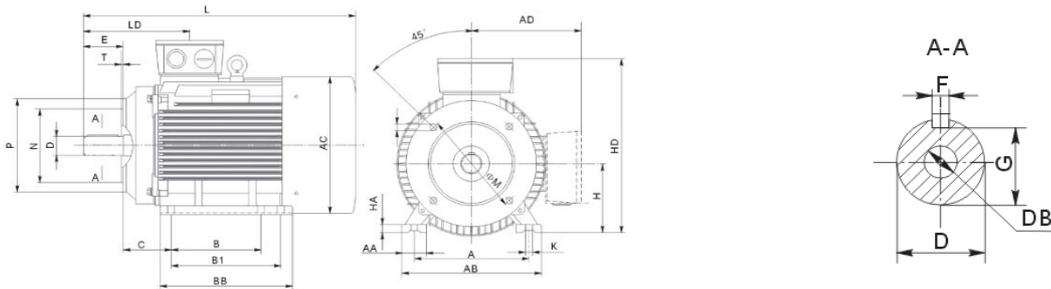
DATA SHEET

Customer:	
Ref.:	
Order:	
Motor:	
Serial nr:	
Date:	03-08-2018

Foot & flange mounted motor B3/B5



B3/B14A & B3/B14B



Flange type: B5

M: 300
N: 250
P: 350
S: 19

A: 254
B: 254
AB: 320
AC: 320
AD: 285

B14A

M:
N:
P:
S:

HD: 440
C: 108
H: 160
K: 15
L: 675

L (V1): 725

B14B

M: 0
N: 0
P: 0
S: 0

E: 110
D: 42
G: 37
DB: M16
F: 12