



Chicago Pneumatic



CP7769



- ✓ High productivity
- ✓ Ergonomic
- ✓ Low consumption



Maintenance Tools

People. Passion. Performance.

CP7769

PRODUCTIVE & ERGONOMIC

Powerful
 1440 ft.lbs 1950 Nm
 of maximum torque in reverse

DURABLE
 Twin hammer mechanism

LIGHTWEIGHT
 Magnesium clutch housing

SAFE
 Socket retainer ring
 combined with hole
 retainer

GREAT CONTROL
 3 power settings

EASY SINGLE HANDED
 forward/reverse
 Side to side technology



EASY OPERATION
 Full teasing trigger

COMFORT
 Insulating and lightweight
 composite handle

FLEXIBLE
 360° swivel air inlet

Applications

- Heavy vehicle mechanical repair
- Manufacturing equipment maintenance

Model	Part Number	Impact Mechanism	Anvil	Free Speed	Working Torque		Max Torque		Weight		Length		Avg. Air Consumption		Air Cons. @ Load		Sound Pressure	Sound Power	Vibration k-ISO28927-2
					ft.lbs	Nm	ft.lbs	Nm	lbs	kg	in	mm	cfm	l/s	cfm	l/s			
CP7769	894 107 7690	Twin Hammer	3/4"	7000	300-1080	407-1464	1440	1950	7.4	3.37	8.4	214	7.75	3.7	31	14.7	97	108	12.6 (3.4)
CP7769-6	894 107 7696	Twin Hammer	3/4"	7000	300-1080	407-1464	1440	1950	8.8	4	14.4	365	7.75	3.7	31	14.7	97	108	12.6(3.4)
CP7779	894 107 7790	Twin Hammer	1"	7000	300-1080	407-1464	1440	1950	7.7	3.5	8.7	221	7.75	3.7	31	14.7	97	108	12.6 (3.4)



Over 110 years of experience

Since 1901 the Chicago Pneumatic (CP) name has represented reliability and attention to customer needs, with construction, maintenance and production tools and compressors designed for specific industrial applications. Today, CP has a global reach, with local distributors around the world.

Our people start every single day with a passion to research, develop, manufacture and deliver new products that are meant to meet your needs not only today, but tomorrow as well. To learn more, visit www.cp.com.

SPARES & ACCESSORIES

DIMENSIONS

MODEL		CP7769	CP7769-6	CP7779
A	in.	8.4	14.4	8.7
	mm	214	365	221
B	in.	8.7	8.7	8.7
	mm	221	221	221
C	in.	3	3	3
	mm	77	77	77

FILTER-REGULATOR-LUBRICATORS

PART # NPT	PART# BSP	SIZE	TYPE	MAX. FLOW RATE	
				cfm	l/sec
894 016 8518	8940168481	1/2"	3 stage	110	50
894 016 8517	894 016 8480	1/2"	2 stage	110	50

More references available in the CP Maintenance Catalog

IMPACT SOCKET SETS

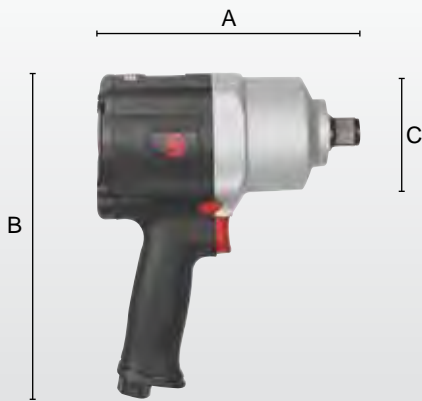
PART#	MODEL#	DESCRIPTION
Thin wall wheel protector		
894 016 447 2	SS618	3/4" drive 8PC set 26, 27, 29, 30, 32, 35, 36 & 38mm
894 016 447 3	SS618D	3/4" drive 8PC set 26, 27, 29, 30, 32, 35, 36 & 38mm
894 016 707 2	SS6111DWS	3/4" drive 8PC set 26, 27, 29, 30, 32, 35, 36 & 38mm
894 016 707 3	SS6008D	3/4" drive 8PC SAE set
894 016 447 4	SS6014	3/4" drive 14PC SAE set
894 016 447 5	SS6014D	3/4" drive 14PC SAE set

OPERATOR ACCESSORIES

PART#	DESCRIPTION
Gloves	
894 015 8618	Impact glove size large
894 015 8619	Impact glove size X-large
Protective cover	
894 016 9917	CP Protective boot

TUNE-UP KIT

MODEL	PART #
CP7769	894 016 9895
CP7769-6	
CP7779	



FRL units will improve the productivity and life of your CP impact wrench.



Impact sockets are laser etched for easy identification. Sets are supplied in a sturdy blow mold case.

