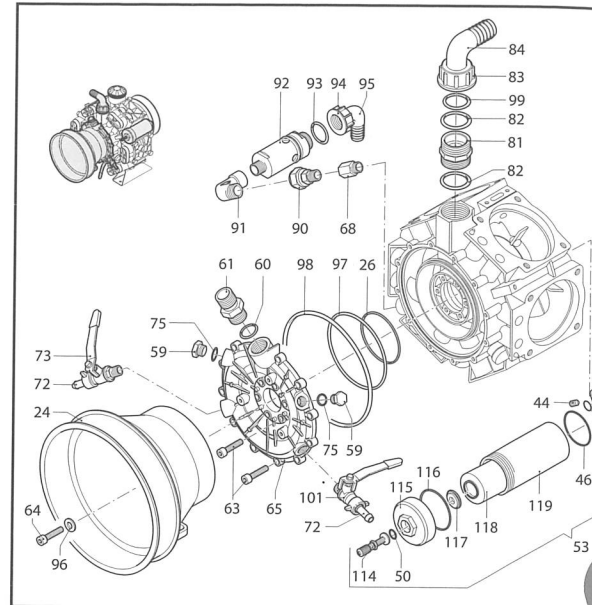
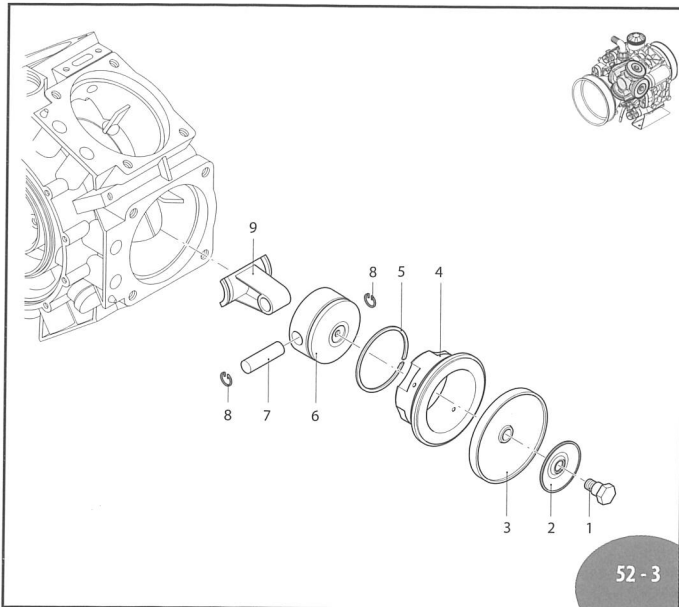


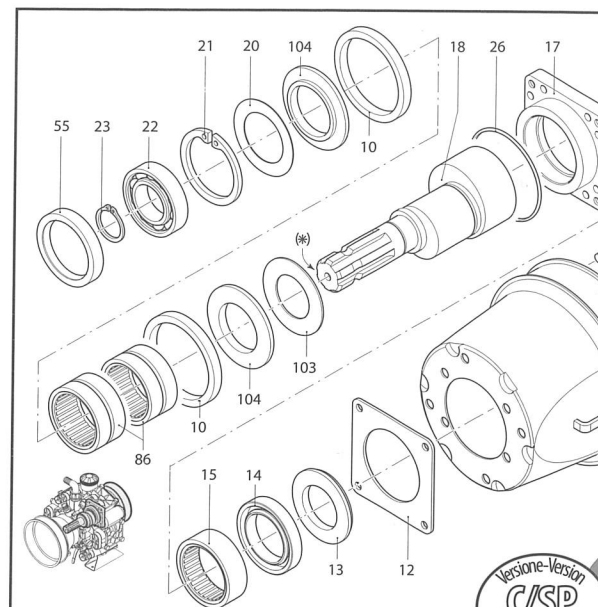
UN970112-LJ



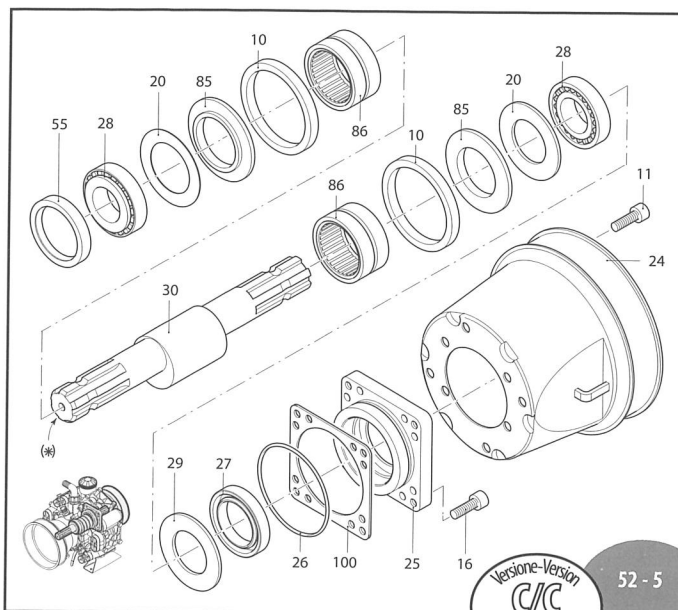
UN970145-MH



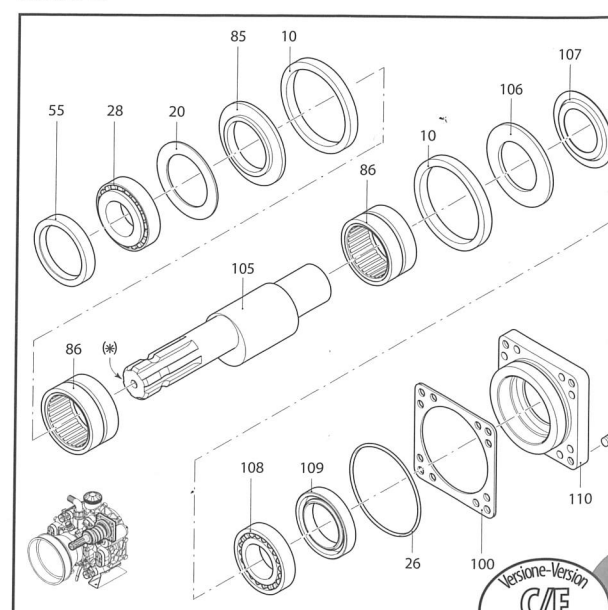
UN970115-LJ



UN970147-LE



UN970146-LE



UN970148-LE

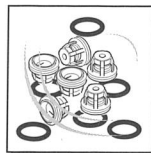
# AR 1516

Pos.	Cod.	Descrizione	Description	Q.ty	Note
1	580361	Perno membrana	Diaphragm pin	6	Ⓢ <sub>29,43</sub>
2	1040180	Piastra di richiamo	Plate	6	
3	1040080	Membrana	Diaphragm	6	Desmopan
4	1040081	Membrana	Diaphragm	6	Gomma
5	1500080	Camicia	Sleeve	6	
6	650190	Segmento	Piston ring	6	
7	1040120	Pistone	Piston	6	
8	1040070	Spinotto	Piston pin	6	
9	1040270	Anellino spinotto	Pin ring	12	
10	1500160	Biella	Connecting rod	6	
11	1500181	Anello biella	Con rod ring	2	
12	820670	Vite TCEI M 10x16	Bolt	4	Ⓢ <sub>9,81</sub>
13	1400140	Flangia anello tenuta	Flange	1	
14	1400110	Centraggio flangia "C/SP"	"C/SP" flange spigot	1	
15	1400150	Anello tenuta	Seal ring	1	
16	650200	Cuscinetto a rullini	Roller bearing	1	
17	180030	Vite TCEI M 8x20	Bolt	8	Ⓢ <sub>19,62</sub>
18	1800210	Flangia albero "C/SP"	Flange "C/SP" version	1	
19	1400320	Albero eccentrico "C/SP"	"C/SP" shaft	1	(56)
20	1400090	Distanziale biella	Spacer	2	
21	161050	Anello seeger	Circlip	1	
22	1409010	Cuscinetto completo	Bearing	1	☒
23	1040570	Anello seeger	Circlip	1	
24	1500350	Protezione cardano	Cardan protection	1	∅ 199 mm
25	1500470	Protezione cardano	Cardan protection	1	∅ 239 mm
26	1800220	Flangia albero "C/C"	Flange "C/C" version	1	
27	1040060	OR ∅ 72,69x2,62	O-Ring	3	▶
28	160740	Anello tenuta	Seal ring	1	
29	1500290	Cuscinetto	Bearing	2	☒
30	1500310	Distanziale flangia	Spacer	1	
31	1400310	Albero eccentrico "C/C"	"C/C" shaft	1	(AF)
32	620030	OR ∅ 25,80x3,53	O-Ring	12	▶
33	1040551	Testa DX	Right head	3	
34	1040552	Testa SX	Left head	3	
35	1409050	Valvola completa	Complete valve	12	
36	540361	OR ∅ 33,05x1,78	O-Ring	12	▶
37	1300190	Tappo valvola	Valve cap	6	
38	620610	Vite TCEI M 8x30	Bolt	12	Ⓢ <sub>19,62</sub>
39	1500230	Vite TE M 12x65	Bolt	20	Ⓢ <sub>49,05</sub>
40	1500240	Vite TE M 12x60	Bolt	4	Ⓢ <sub>49,05</sub>
41	770571	OR ∅ 18,77x1,78	O-Ring	12	Viton ▶
42	320360	Vite TCEI M 8x22	Bolt	2	Ⓢ <sub>19,62</sub>
44	1040470	Grano M 10x8	Dowel	2	
45	640070	OR ∅ 13,95x2,62	O-Ring	1	
46	540360	OR ∅ 44,12x2,62	O-Ring	1	
50	650542	Guarnizione	Gasket	1	▶
51	380241	Rosetta ∅ 8,5	Washer	2	
53	1538	Camera aria completa	Complete air chamber	1	
54	770070	Grano M 10x10	Dowel	1	Ⓢ
55	1040050	Anello tenuta	Seal ring	1	
59	880530	Tappo 3/8" G	Plug	3	Ⓢ <sub>19,62</sub>
60	390180	OR ∅ 18,72x2,62	O-Ring	1	▶

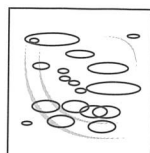
Pos.	Cod.	Descrizione	Description	Q.ty	Note
61	850740	Niples 3/4" G (M)-(M)	Threaded adapter	1	
63	540290	Vite TCEI M 8x25	Bolt	18	Ⓢ <sub>9,81</sub>
64	1343510	Vite TCEI M 6x14	Bolt	3	Ⓢ <sub>9,81</sub>
65	1840140	Condotta mandata	Manifold	1	
67	1500040	Piede DX	Right base	1	
68	1040490	Prol. 3/8" G(M)-(F)x11	Extension	1	
71	1500050	Piede SX	Left base	1	
72	110130	Racc. 1/2" G+tub. ∅13	Fitting 1/2" G+hose ∅13	2	ex 10130
73	130491	Rub. 3/8"-1/2" G (M) DX	Right valve	1	ex 30491 Ⓢ
74	1500480	Corpo pompa	Pump body	1	
75	740290	OR ∅ 14x1,78	O-Ring	3	
76	680350	Vite TCEI M 8x35	Bolt	2	Ⓢ <sub>9,81</sub>
77	750030	Serbatoio olio	Oil tank	1	
79	1800060	Tappo serbatoio nero	Black oil tank cap	1	
81	540530	Niples 1"1/4-1"3/4 G (M)	Threaded adapter	1	
82	250310	OR ∅ 36,14x2,62	O-Ring	2	▶
83	540540	Girello 1"3/4 G	Ring nut	1	
84	540550	Curva ∅ 40	Elbow	1	
85	1500320	Distanziale biella	Spacer	2	
86	1500170	Cuscinetto	Bearing	2	
87	750040	Guarnizione serbatoio	Gasket	1	Ⓢ
90	881461	Manic. 3/8"-1/2" G (M)-(F)	Threaded adapter	1	
91	881560	Gomito 90° 1/2" G (M)-(F)	Elbow	1	
92	1609002	Valvola di sicurezza	Safety valve	1	■
93	880831	OR ∅ 15,54x2,62	O-Ring	1	Viton ▶
94	550450	Girello 3/4" G	Ring nut	1	
95	550460	Curva ∅ 18	Elbow	1	
96	881710	Rosetta ∅ 6	Washer	3	
97	851361	OR ∅ 120,32x2,62	O-Ring	1	Viton
98	1400290	OR ∅ 171,12x2,62	O-Ring	1	
99	390210	OR ∅ 39,69x3,53	O-Ring	1	▶
100	1500400	Spessore	Shim	1	0,05 mm
101	1500330	Spessore	Shim	1	0,1 mm
102	1500340	Spessore	Shim	1	0,2 mm
103	130492	Rub. 3/8"-1/2" G (M) SX	Left valve	1	ex 30492 Ⓢ
104	1500100	Distanziale biella	Spacer	1	
105	1500150	Distanziale biella	Spacer	2	
106	1400330	Albero eccentrico "C/F"	"C/F" shaft	1	(AG)
107	1500390	Anello	Ring	1	
108	1500380	Distanziale	Spacer	1	
109	1840100	Cuscinetto	Bearing	1	☒
110	1800090	Anello tenuta	Seal ring	1	
111	1500410	Flangia albero "C/F"	Flange "C/F" version	1	
114	1800350	Valvola di gonfiaggio	Air valve	1	
115	1800270	Coperchio camera aria	Air chamber cover	1	
116	650560	OR ∅ 56,82x2,62	O-Ring	1	
117	1800311	Disco	Plate	1	
118	1800300	Semicamera aria	Semi air chamber	1	
119	1800280	Tubo camera aria	Air chamber tube	1	
120	1800320	Attacco camera aria	Air chamber connector	1	
121	880530	Tappo 3/8" G	Plug	1	Ⓢ <sub>19,62</sub>



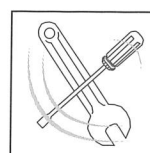
KIT 2052	
Membrane gomma Buna diaphragms	
Pos.	Q.ty
3	6



KIT 2053	
Valvole Valves	
Pos.	Q.ty
32	12
34	12
35	12



KIT 2349			
OR O-Rings			
Pos.	Q.ty	Pos.	Q.ty
26	3	97	1
32	12	98	1
35	12	99	1
41	12	116	1
45	1		
46	1		
60	1		
75	3		
82	2		
93	1		



KIT 2350					
Pronto intervento Maintenance repair					
Pos.	Q.ty	Pos.	Q.ty	Pos.	Q.ty
1	6	50	1		
3	6	55	1		
14	1	60	2		
26	3	77	1		
27	1	83	1		
32	12	84	1		
34	12	97	1		
35	12	98	1		
41	12	109	1		
45	1	118	1		



Olio utilizzato	
Used oil	
Tipo - Type	Kg
Sae 30w	2,2