



Direct solenoid and solenoid pilot operated valves

Function	Port size	Flow [Max]	Individual mounting
4/2 - 4/3	G3/4" - G1" - G1 1/4" - G1 1/2"	15900 NI/min	sub-base "plug-in"

OPERATIONAL BENEFITS

- Balanced spool, immune to variations of pressure.
- Short stroke with high flow.
- High shifting forces.
- Checked accumulator guarantees maximum pilot pressure.
- Powerful return force thanks to the combination of mechanical and air springs.
- Bonded spool with minimum friction, shifting in a glass-like finished bore.
- Wiping effect eliminates sticking.
- Pilot valve with balanced poppet, high flow, short and consistent response times.



HOW TO ORDER

Reset

xxxxG-xyyDA-xx

Port size	4/2 Single operator	4/2 Double operator	4/3 Closed centre	4/3 Open centre
Valve less base	<input type="radio"/> 1301G-xyyDA-xx	<input type="radio"/> 1303G-xyyDA-xx	<input type="radio"/> 1307G-xyyDA-xx	<input type="radio"/> 1308G-xyyDA-xx
Su base G 3/4"	<input type="radio"/> 1321G-xyyDA-xx	<input type="radio"/> 1323G-xyyDA-xx	<input type="radio"/> 1327G-xyyDA-xx	<input type="radio"/> 1328G-xyyDA-xx
Su base G 1"	<input type="radio"/> 1331G-xyyDA-xx	<input type="radio"/> 1333G-xyyDA-xx	<input type="radio"/> 1337G-xyyDA-xx	<input type="radio"/> 1338G-xyyDA-xx
Su base G1 1/4"	<input type="radio"/> 1351G-xyyDA-xx	<input type="radio"/> 1353G-xyyDA-xx	<input type="radio"/> 1357G-xyyDA-xx	<input type="radio"/> 1358G-xyyDA-xx
Su base G1 1/2"	<input type="radio"/> 1361G-xyyDA-xx	<input type="radio"/> 1363G-xyyDA-xx	<input type="radio"/> 1367G-xyyDA-xx	<input type="radio"/> 1368G-xyyDA-xx

SOLENOID OPERATOR >

XX Y DA- X X*

XX Voltage	Y Manual operator	X Pilot air	X Indicator light
<input type="radio"/> 11 110V~/50Hz	<input type="radio"/> 1 Non-locking	<input type="radio"/> 3 Internal	<input type="radio"/> 5 With light in base
<input type="radio"/> 12 220V~/50Hz	<input type="radio"/> 2 Locking	<input type="radio"/> 4 External	
<input type="radio"/> 22 24V~/50Hz	<input type="radio"/> y Other Options		
<input type="radio"/> 87 24V=/17,1W			
<input type="radio"/> 59 24V=/2,5W			
<input type="radio"/> 61 24V=/8,5W			
<input type="radio"/> xx Other Options			

**TECHNICAL
DATA**

Fluid :	Compressed air, vacuum, inert gases
Pressure range :	Internal pilot : single operator and 3 positions : 1.8 to 10 bar double operator : 0.7 to 10 bar External pilot : vacuum to 10 bar
Pilot pressure :	Single operator and 3 positions : 1.8 to 10 bar Double operator : 0.7 to 10 bar.
Lubrication :	Not required, if used select a medium aniline point lubricant (between 80°C and 100°C)
Filtration :	40 µ
Temperature range :	-18°C to +50°C
Orifice :	35 mm
Flow (at 6 bar, ΔP=1bar) :	G3/4" : 11500 NI/min (C _v 11.5) - G1" : 13700 NI/min (C _v 13.7) - G1 1/4" : 15400 NI/min (C _v 15.4) - G1 1/2" : 15900 NI/min (C _v 15.9)
Leak rate :	100 cm ³ /min
Coil :	Epoxy encapsulated - class A wires - 100% ED (specify mod 0449)
Voltage range :	-15% to +10% of nominal voltage
Protection :	IP 65
Power :	~ Inrush : 14.8 VA Holding : 10.9 VA = 1 to 17.1 W
Response times :	24 V= /8.5 W Energize : 20 ms De-energize : 28ms 50Hz/6 W Energize : 17-23 ms De-energize : 29-35 ms

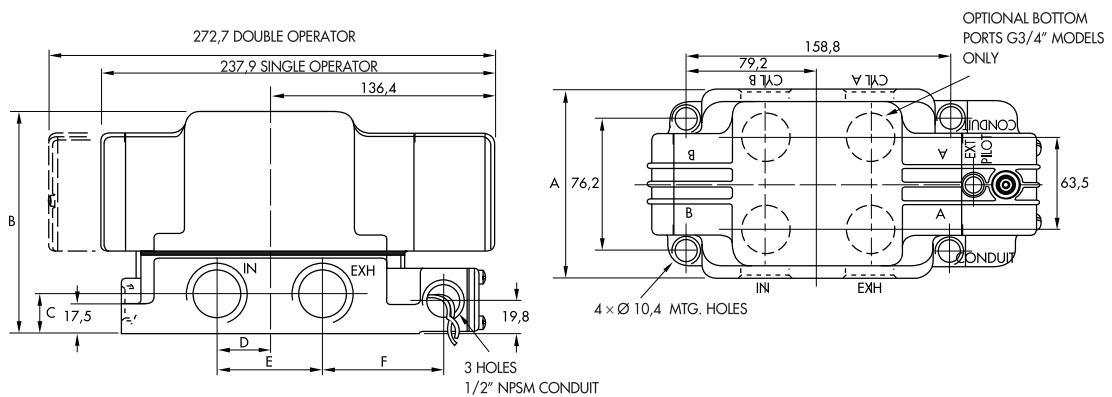
Spare parts :

- Solenoid operator (power ≥ 4 W) : D1-XXBD.
- Pressure seal between valve and base : 16083.
- Pilot valve : 150B-XXBD, including mounting screws 32180 and adaptor plate N-03001.
- Mounting screw valve to base (x4) : 32396.

Options :

- NPTF threads.
- Lights in base.

DIMENSIONS



Port size	A	B	C	D	E	F
G3/4"	111,3	132,4	23,8	31,7	63,5	71,4
G1 1/4"	114,3	148,3	30,2	38,1	76,2	65,0
G1 1/2"				35,0	69,9	68,0