

Switches

LTHS03201*A01



Type	LTHS 320
Number of Poles	1 NO
Mounting Position	Horizontal - Vertical
Control Voltage Rating [V _{dc}]	24 ÷ 220
Auxiliary Contact Blocks	Max 4 x (1 NO + 1 NC or 2 NO)
Block Type*	SL
Arc chute Material	Ceramic
Contact tips material*	S6

* For details please refer to dedicated technical note

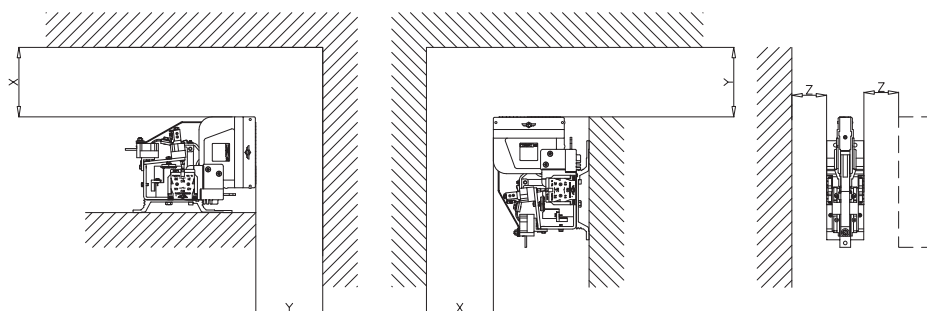
Description

Contactor with single interruption in air, electromagnetic control by full power coil. Single state functioning. Reference Standard IEC 60077.

Electrical Characteristics

Rated Operational Voltage [V _{ac} / V _{dc}]	750
Max Operational Voltage [V _{ac} / V _{dc}]	1000
Rated Insulation Voltage [V]	2000
Conventional Free Air Thermal Current [A] at 75°C	300
DC-Rated Operational Current (τ=15ms) [A]	
1000V	270
750V	360
DC-Maximum Breaking Capacity (τ=15ms) [A]	
1000V	360
750V	480
AC-Maximum Breaking Capacity (cosφ=0,8; 50Hz) [A]	
1000V	500
750V	700
Component Category / Operational Frequency Class	A2 / C3
Short Circuit Withstand Capacity for 5ms [kA]	8
Critical Current Range [A]	NONE
Fault Making Capacity [kA]	4.8
Blow Out Circuit Type	Indirect with arcing contact

Minimum clearances
from metal parts [mm]
X = 60; Y = 200 ; Z = 30



Microelettrica Scientifica

Switches

LTHS03201*A01

Mechanical Characteristics

Mechanical Endurance (cycles)	2x10 ⁶
Shock and Vibrations (IEC61373)	Cat.1 - Class B
Weight [kg]	4.8

Control Circuit

Control Voltage Range	0.7U _c ÷ 1.25U _c
Power Consumption (U _c and T = 20°C) at Pick Up - when Holding [W]	25 - 25
Mechanical Operation Time (U _c and T = 20°C) when Closing - Opening [ms]	110 - 30
Time Constant (L/R) at Pick Up - when Holding [ms]	60 - 80
Electrical Connections	Fast-On 6.35x0.8mm - Screw M4

Auxiliary Contacts

Tips material	Solid Silver (Gold plating opt)
Rated Operational Voltage [V _{ac} / V _{dc}]	250
Rated Current [A]	10
Minimum Switching Current at 16V _{dc} [mA]	10
Electrical Connections	Fast-On 6.35x0.8mm - Screw M4

Environmental Conditions

Stock Temperature Range	-50°C ÷ +85°C
Operational Temperature Range	-40°C ÷ +75°C
Pollution Degree - Overvoltage Category (EN 50124-1)	PD3 - OV3
Max Altitude without Performance Derating [m]	1500

