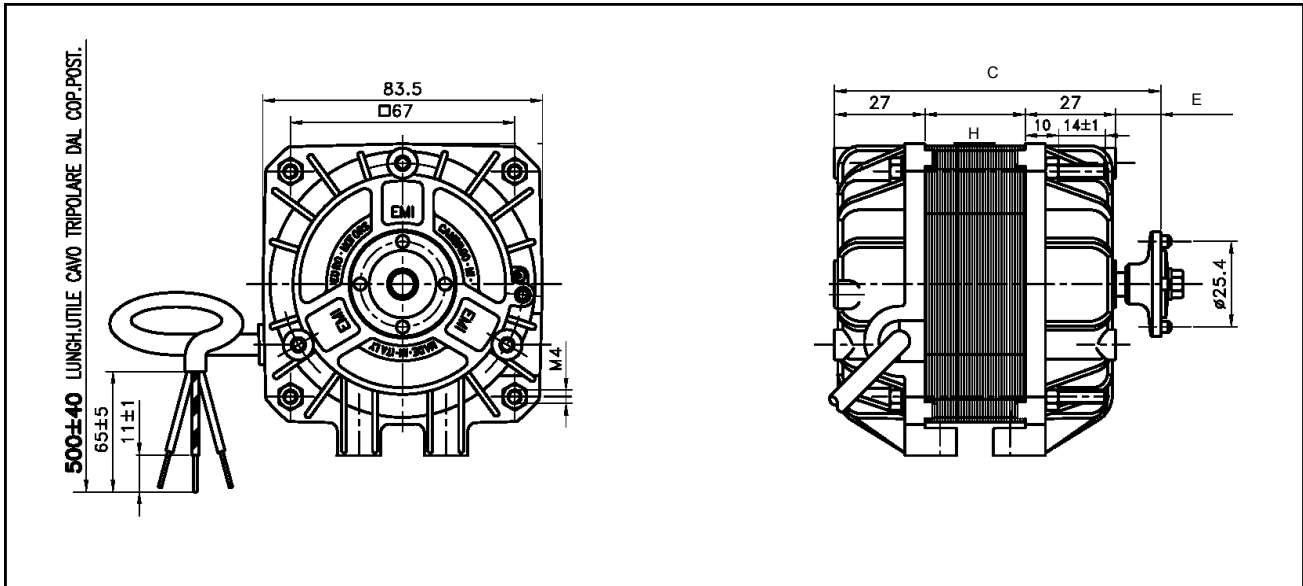


SERIE 82SP

MOTORI PER REFRIGERAZIONE SPECIALI

SPECIAL MOTORS FOR REFRIGERATION



Modello Codice	W Resi	W Ass .	A	V	RPM	C	H	E	Ventola Max	Cond. (mF)
82 - 2005/70 2 Vel. 4110.4021	5	30	0.20	220	1300 990	88	20	13.5	200/28	—
82US 3016*	16	63	0.44	230	1550	97.5	30	13.5	254/22	—
82UL 3016 115V*	17	60	0.7	115	1550	97.5	30	13.5	254/22	—
82UL 4027 115V*	27	95	1.10	115	1550	107.5	40	13.5	300/22	—
82 - 2010/151 115V 4110.4048	10	45	0.55	115	1300	88	20	13.5	254/22	—
82V - 2010/22 380V 4111.4015	7	35	0.15	380	1300	88	20	13.5	254/22	—
83 - 2030/1 4121.0018	30	65	0.33	220	2500	88	20	13.5	200/28	2.5
82V - 4534/10 380V 4111.4611	34	130	0.50	380	1300	140	45	38	300/34	—

DESCRIZIONE

Motori speciali per refrigerazione, 2 e 4 poli, da 115 a 380V monofase.
Special motors for refrigeration, 2 and 4 poles, from 115 to 380V single phase.

* Motori speciali con approvazione UL , special motors UL approved 