

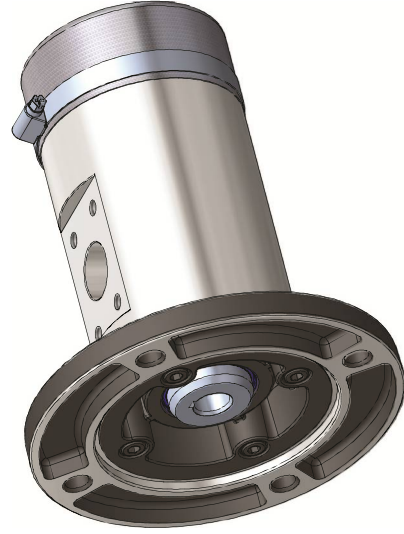
# SMT16B AC pump - Dimensional drawings / Disegni dimensionali

**SMT16B AC**

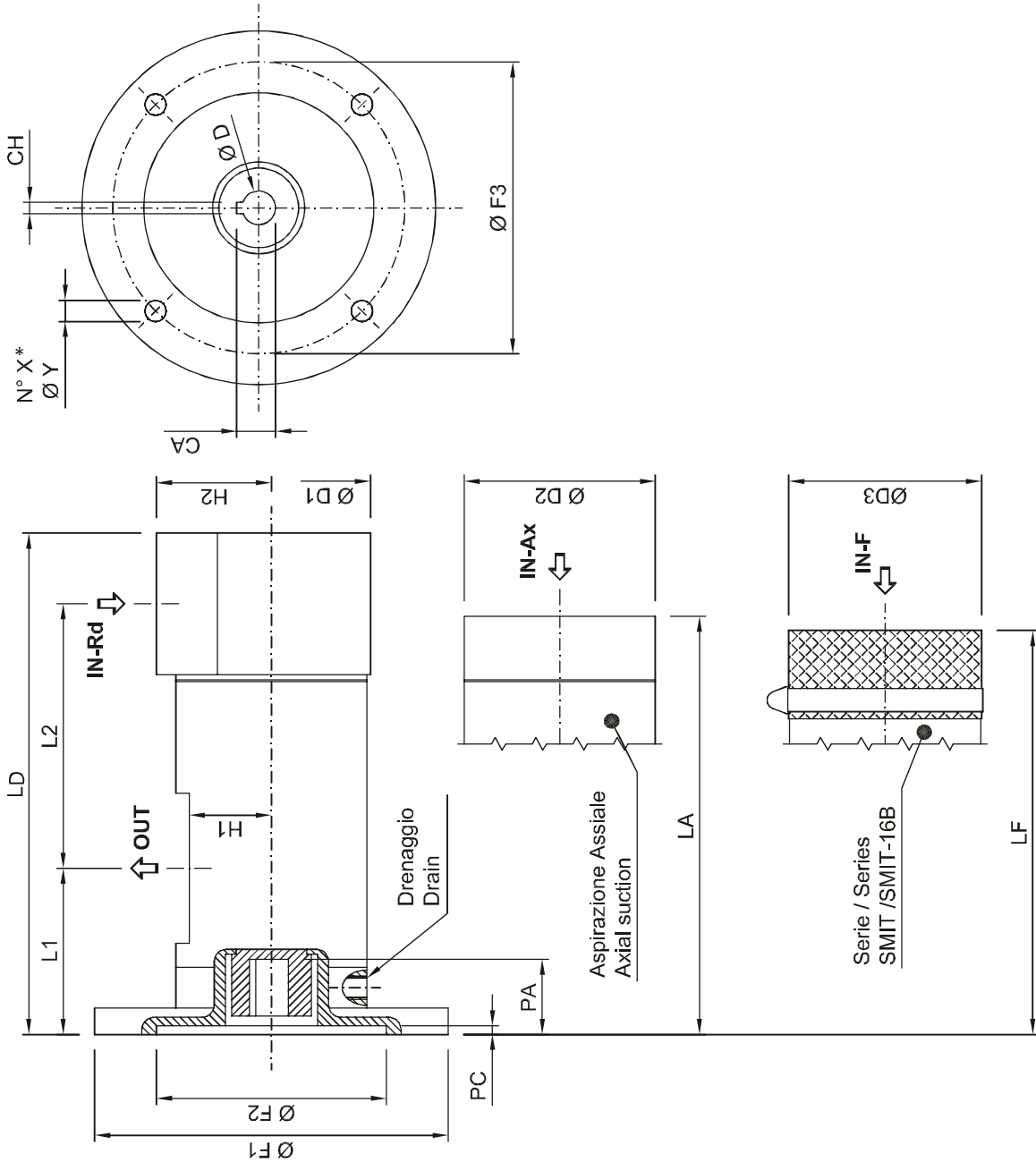


Dry screw pump  
Pompa per uso esterno

**SMIT16B AC**



Submersible screw pump  
Pompa per uso sommerso



\* 2 holes for GR20, 4 holes for the other models. / 2 fori per GR20, 4 fori per gli altri modelli.

# SMT16B AC pump - Dimensional drawings / Disegni dimensionali

SMT16B AC Series/  
Serie SMT16B AC  
Submersible /  
Per uso sommerso

SMT16B AC Series / Serie SMT16B AC	Dry / Per uso esterno	Flange/Flangia				Shaft / Albero			Suction / Aspirazione			Discharge / Mandata			Pump / Pompa						Pump / Pompa	
		ØF2	ØY	ØF3	ØF1	ØD	CA	CH	IN-Rd	IN-AX	H2	OUT	H1	PA	ØD2	L1	L2	LD	LA	Kg	ØD3	LF
GR20 SMT16B AC11 B5 8-12-15-20	95.0	9.0	115.0	140.0	11.0	12.8	4.2	1/2"BSPP	1/2"BSPP	26.0	1/2"BSPP	25.0	25.0	25.0	59.0	57.0	78.5	157.0	138.0	1.5	60.0	137.0
GR20 SMT16B AC14 B5 8-12-15-20	110.0	9.5	130.0	160.0	14.0	161.1	5.2	1/2"BSPP	1/2"BSPP	26.0	1/2"BSPP	25.0	33.5	59.0	56.0	78.5	156.0	137.0	1.5	60.0	136.0	
GR20 SMT16B AC19 B5 8-12-15-20	130.0	11.0	165.0	200.0	19.0	21.7	6.5	1/2"BSPP	1/2"BSPP	26.0	1/2"BSPP	25.0	42.0	59.0	75.0	78.5	175.0	156.0	1.5	60.0	155.0	
GR25 SMT16B AC14 B5 25-30	110.0	9.5	130.0	160.0	14.0	16.2	5.2	3/4"BSPP	3/4"BSPP	27.0	3/4"BSPP	27.5	32.5	65.0	73.5	87.0	179.0	179.0	2.7	66.0	159.5	
GR25 SMT16B AC19 B5 25-30	130.0	10.5	165.0	200.0	19.0	21.9	6.5	3/4"BSPP	3/4"BSPP	27.0	3/4"BSPP	27.5	42.5	65.0	76.5	87.0	182.0	182.0	2.7	66.0	162.5	
GR32 SMT16B AC19 B5 35-45-55-75	130.0	12.0	165.0	200.0	19.0	21.9	6.5	1"1/4 SAE-3000	1"1/4 BSPP	55.0	1"1/4 BSPP	41.0	43.7	94.0	84.7	123.0	241.7	194.7	4.4	95.0	185.7	
GR32 SMT16B AC24 B5 35-45-55-75	130.0	12.0	165.0	200.0	24.0	27.3	8.5	1"1/4 SAE-3000	1"1/4 BSPP	55.0	1"1/4 BSPP	41.0	52.7	94.0	84.7	123.0	241.7	194.7	4.4	95.0	185.7	
GR40 SMT16B AC19 B5 100-125-150	130.0	12.0	165.0	200.0	19.0	22.0	6.5	1"1/2 SAE-3000	1"1/2 BSPP	65.0	1"1/2 BSPP	46.5	42.5	108.0	94.0	149.5	282.5	236.5	7	109.0	228.5	
GR40 SMT16B AC24 B5 100-125-150	130.0	12.0	165.0	200.0	24.0	27.5	8.5	1"1/2 SAE-3000	1"1/2 BSPP	65.0	1"1/2 BSPP	46.5	52.5	108.0	94.0	149.5	282.5	236.5	7	109.0	228.5	
GR40 SMT16B AC28 B5 100-125-150	180.0	14.0	215.0	250.0	28.0	31.5	8.5	1"1/2 SAE-3000	1"1/2 BSPP	65.0	1"1/2 BSPP	46.5	64.0	108.0	104.5	149.5	293.0	247.0	7	109.0	239.0	
GR45 SMT16B AC28 B5 180-210	180.0	14.0	215.0	250.0	28.0	31.5	8.5	2"SAE-3000	2"BSPP	85.0	2"BSPP	51.5	63.5	122.5	106.4	190.1	341.5	289.5	7	123.5	271.5	
GR45 SMT16B AC38 B5 180-210	230.0	15.0	265.0	300.0	38.0	42.0	10.5	2"SAE-3000	2"BSPP	85.0	2"BSPP	51.5	81.0	122.5	119.9	190.1	355.0	303.0	7	123.5	285.0	
GR55 SMT16B AC28 B5 250-300-330-380	180.0	14.0	215.0	250.0	28.0	31.5	8.5	2"1/2 SAE-3000	2"1/2 BSPP	95.0	2"1/2 BSPP	55.0	62.5	142.5	108.5	202.5	363.0	299.0	15.5	143.5	309.0	
GR55 SMT16B AC38 B5 250-300-330-380	230.0	15.0	265.0	300.0	38.0	42.0	10.5	2"1/2 SAE-3000	2"1/2 BSPP	95.0	2"1/2 BSPP	55.0	82.5	142.5	128.5	202.5	383.0	319.0	15.5	143.5	329.0	
GR60 SMT16B AC28 B5 440-500	180.0	14.0	215.0	250.0	28.0	31.5	8.5	3"SAE-3000	3"BSPP	105.0	3"BSPP	63.0	65.0	155.0	108.5	228.5	399.5	317.5	25	154.0	324.5	
GR60 SMT16B AC38 B5 440-500	230.0	14.5	265.0	300.0	38.0	41.8	10.5	3"SAE-3000	3"BSPP	105.0	3"BSPP	63.0	83.0	155.0	128.5	228.5	419.5	337.5	25	154.0	344.5	
GR70 SMT16B AC28 B5 600-660-800	180.0	14.0	215.0	250.0	28.0	31.5	8.5	3"1/2 SAE-3000	3"1/2 BSPP	110.0	3"1/2 BSPP	73.0	63.1	180.0	118.3	279.0	465.3	389.3	30	179.0	403.3	
GR70 SMT AC38 B5 600-660-800	230.0	14.5	265.0	300.0	38.0	41.8	10.5	3"1/2 SAE-3000	3"1/2 BSPP	110.0	3"1/2 BSPP	73.0	87.3	180.0	139.5	279.0	486.5	410.5	30	179.0	424.5	

All data reported by catalogue can change without any notice. / dati presenti nel catalogo possono cambiare senza preavviso.