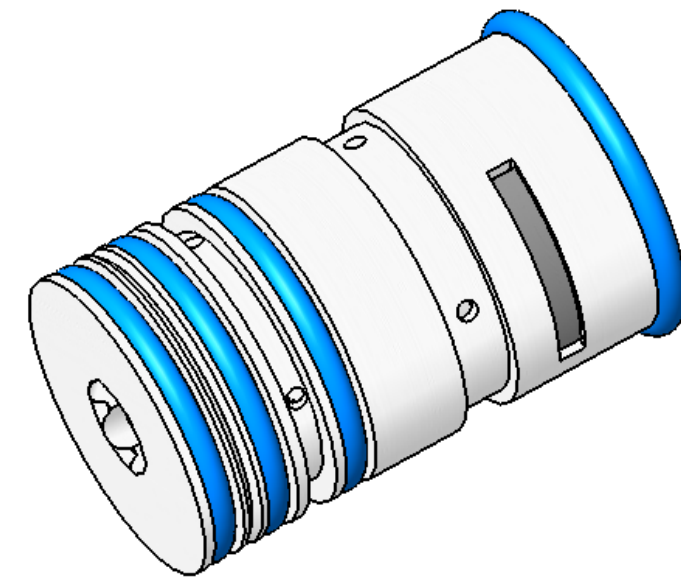
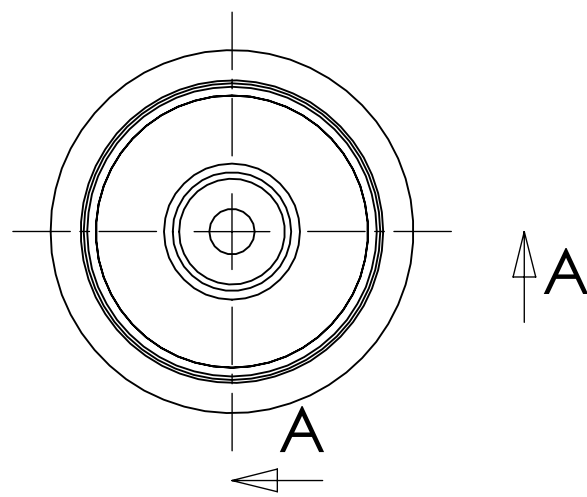
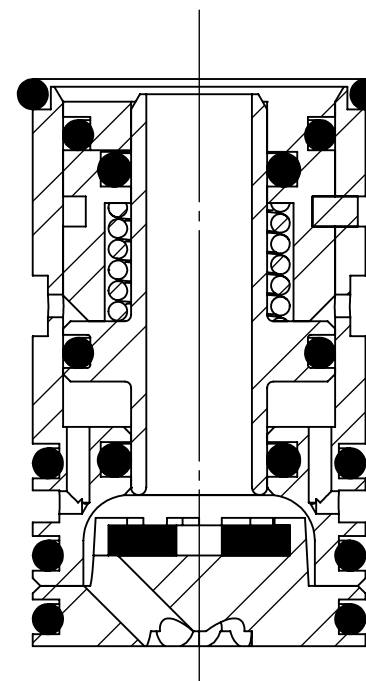


Vanne ouverte
Valve open



D Changement siège 004 + MAJ ressort vanne ouverte					
Checked by:	CJossart	Good for released			
Drawn by:	CJossart				
Material:	.	Valve			
Treatm:					
Gen toler:					
Date:	01/03/2019	Format A3	Scale 2:1	E302240	1/1
				RapidCharge® DeckerSealing® <small>This plan is the property of our company. It is forbidden to reproduce it or to communicate it to a third person without our authorization.</small>	

Fives Filling & Sealing
 Parc d'Activités de la Forêt
 17,rue de la Communauté
 44140 LE BIGNON - FRANCE
 Tel : 33.(0)2.40.32.06.06 / Fax : 33.(0)2.40.65.04.88
 www.fivesgroup.com

