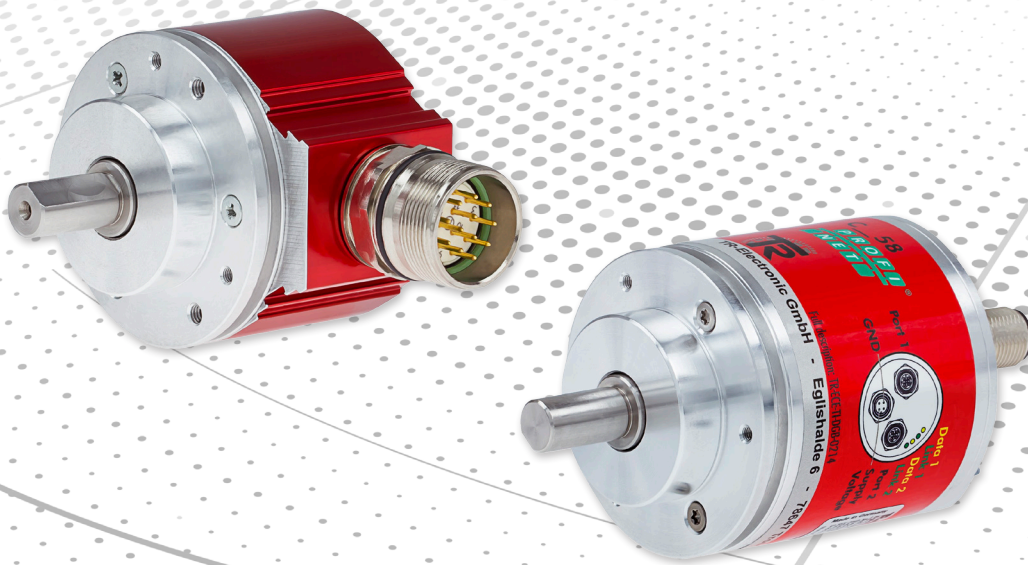
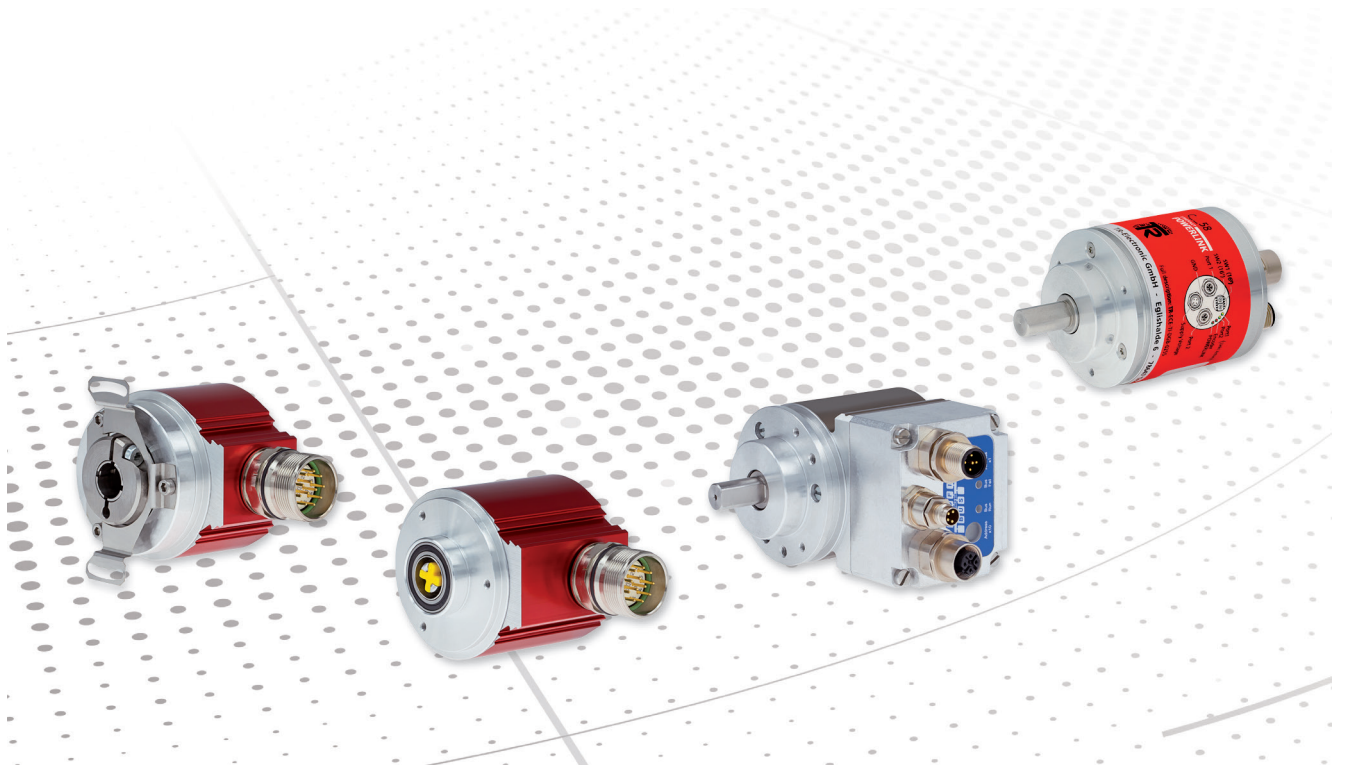


Absolute Rotary Encoders

Family C__58



Absolute Rotary Encoders - Family C__58 - Housing 58 mm



58 mm housing for standard industrial applications

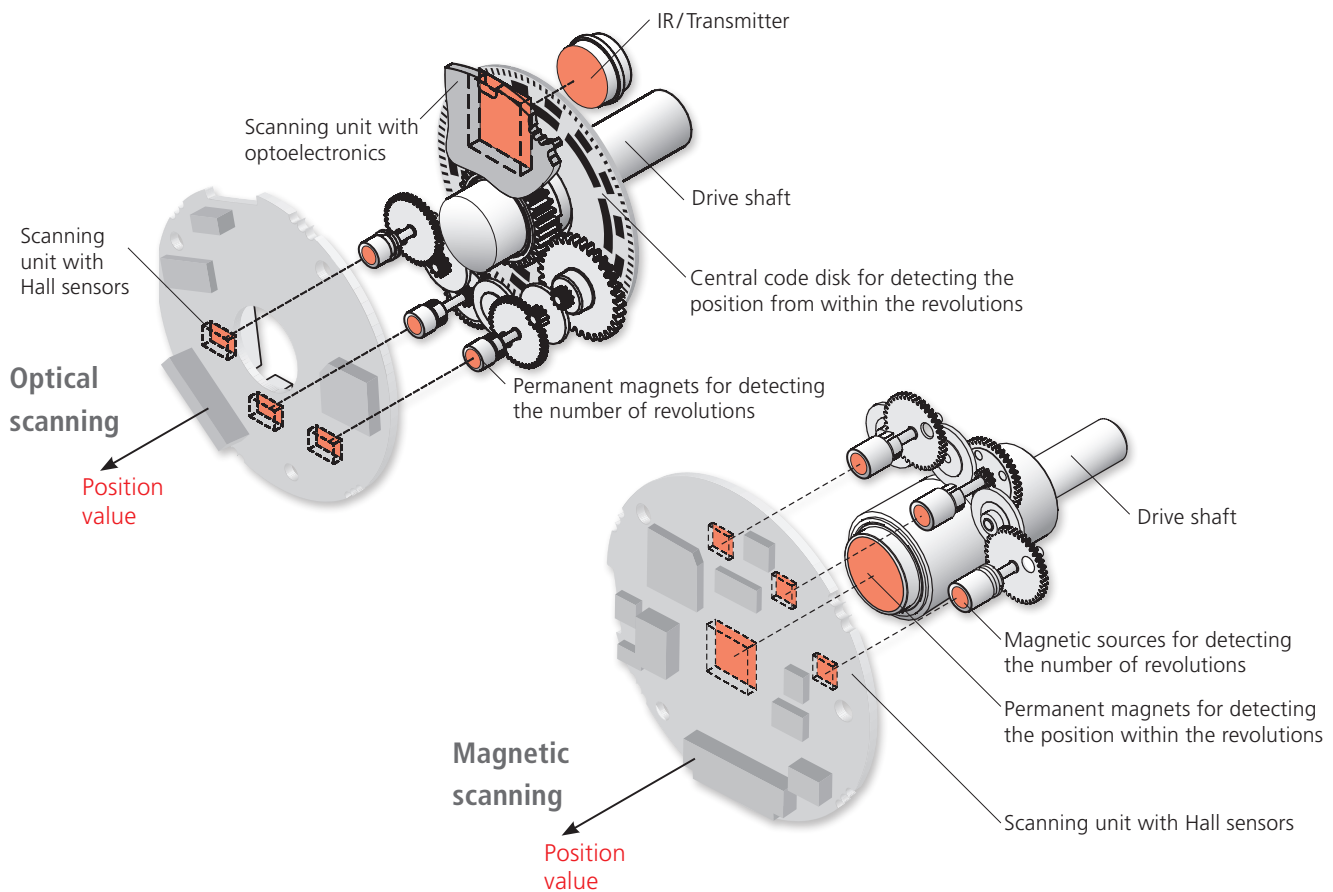
Encoders with size 58 mm have been established as the industrial standard for absolute and incremental encoders. With TR-Electronic, you get as a standard what is special with other manufacturers. Absolute encoders of Series 58 are modular. Your demands can be realized precisely and in most cases without any special development.

- _ Industrial standard size 58 mm
- _ Cost optimized by different resolution ranges
- _ Compatible with a vast number of control systems
- _ Shaft-, flange - and assembly versions
- _ Same mechanics - plenty of interfaces
- _ Compact Connector System - perfect for machines produced in series
- _ Can be adapted to singular applications via parametrization done by user
- _ Available with customer-specific connector systems
- _ UL approval on request

Contents

Functionality	3	Shaft Types - Drawings	15
Difference Shaft types	4	Dimensional Drawings.....	17
Products.....	5	Flanges	23
Suggested Products.....	10	Assembly Examples	27

Scanning – Optical and magnetic



Three detections for perfect cost-benefit ratio

O High-resolution optical scanning

Thanks to modern Opto-Asic technology, up to 18 bits (262,144 steps) can be generated within a single revolution. This is supplemented with up to 4,096 absolute scanned revolutions. Signal processing occurs at FPGA speed. This type of scanning is always used whenever position values need to be captured very quickly and with high resolution. This type of scanning is denoted by the letter "O" in the type designation.

E Optical scanning for standard applications

The majority of industrial applications use rotary encoders with a resolution of up to 15 bits per revolution and up to 4,096/256,000 scanned revolutions. Signal processing within the processor enables multiple evaluation functions and

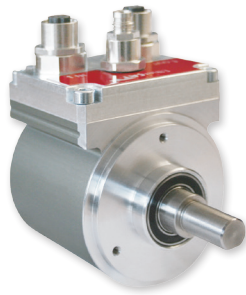
optimal adjustment to new requirements. Signals such as limit switches and speed monitoring can also be generated. This type of scanning is denoted by the letter "E" in the type designation.

M Magnetic scanning for price-sensitive applications

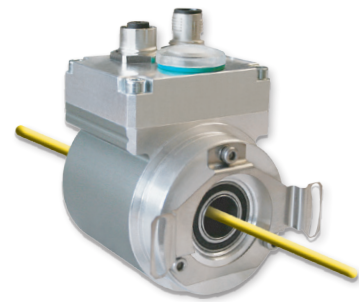
Price-conscious, magnetic rotary encoders are the first choice for applications with lesser requirements in terms of accuracy, resolution and timing. The resolution of a revolution is 11 bits and this is supplemented with 4,096 absolute scanned revolutions. There is no extended signal processing, though the resolution of this device is programmable. This type of scanning is denoted by the letter "M" in the type designation.

Shaft types

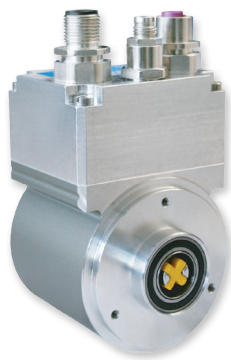
Solid shaft



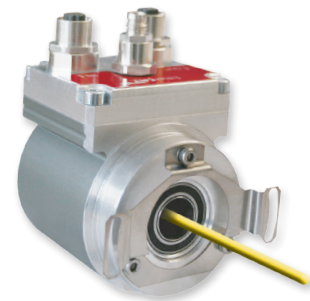
Hollow shaft



Integrated coupling



Blind shaft



Persistent machine concept

The 58 mm series of the compact rotary encoder was developed for diverse mounting variations. Therefore, there will always be a fitting device for any installation situation that should arise. Functions that you need with a solid shaft, are also available with a hollow shaft. Our rotary encoders with solid shaft are available with many coupling options for easy integration.

The variety of mechanical solutions enhances your room for innovative constructions. You will find an sample of the numerous mounting possibilities in the following overview.

Important: not all possible combinations will be shown.


















Magnet detection (M)

Products	CMV58	CMH58	CMS58
			
Detection	Magnet detection (M)	Magnet detection (M)	Magnet detection (M)
Single / Multi	(M) Multi (S) single	(M) Multi (S) single	(M) Multi (S) single
Supply	11...27 VDC (12...30 VDC)*	11...27 VDC (12...30 VDC)*	11...27 VDC (12...30 VDC)*
Full resolution	≤ 24 bit *	≤ 24 bit *	≤ 24 bit *
Steps per turn	≤ 4096 *	≤ 4096 *	≤ 4096 *
Number of turns	≤ 4096 *	≤ 4096 *	≤ 4096 *
Precision	$\pm 1,0^\circ / \pm 0,5^\circ$ *	$\pm 1,0^\circ / \pm 0,5^\circ$ *	$\pm 1,0^\circ / \pm 0,5^\circ$ *
Shaft diameters available	6...12mm	8, 10, 12mm	8, 10, 12mm
Connectors	Connector axial or radial *	Connector radial	Connector axial or radial *
Ambient temperature	-20...+70 °C	-20...+70 °C	-20...+70 °C
Protection class	IP65	IP54	IP65
ATEX-zone			
Interface	SSI  Analog 	SSI	SSI  Analog 
Option, additional interfaces (on request)			
Weblink	www.tr-electronic.com/s/S006736	www.tr-electronic.com/s/S006741	www.tr-electronic.com/s/S006742
QR-Code			

* depending on the interface

Can't find the right variant? Please contact us (info@tr-electronic.de)

Magnet detection (M) Optical 15 bit (E)

Products	CMK58	CEV58	CEH58	
				
Detection	Magnet detection (M)	Optical 15 bit (E)	Optical 15 bit (E)	
Single / Multi	(M) Multi (S) single	(M) Multi (S) single	(M) Multi (S) single	
Supply	11...27 VDC (12...30 VDC)*	11...27 VDC	11...27 VDC	
Full resolution	<= 24 bit *	<= 33 bit *	<= 33 bit *	
Steps per turn	<= 4096 *	<= 32768 *	<= 8192 *	
Number of turns	<= 4096 *	<= 256000 *	<= 32768 *	
Precision	± 1,0 ° / ± 0,5 °*	± 1 digit	± 1 digit	
Shaft diameters available		6...12mm	8, 10, 12mm	
Connectors	Connector radial	Cable gland or connector, radial or axial, Fieldbus hood radial *	Cable gland or connector, radial or axial, Fieldbus hood radial *	
Ambient temperature	-20...+70 °C	-20...+70 °C	-20...+70 °C; option: -40...+85 °C	
Protection class	IP65	IP65	IP54	
ATEX-zone				
Interface	SSI Analog	SSI  ASi  Parallel EtherCAT     CANopen SERCOS  <small>the automation bus</small>	SSI  Parallel    CANopen EtherCAT	
Option, additional interfaces (on request)		INC	INC	
Weblink	www.tr-electronic.com/s/S006747	www.tr-electronic.com/s/S006773	www.tr-electronic.com/s/S006740	
QR-Code				

* depending on the interface

Optical 15 bit (E)

Optical 18 bit (O)

CE58	CEK58	COV58	COH58
Optical 15 bit (E)	Optical 15 bit (E)	Optical 18 bit (O)	Optical 18 bit (O)
(M) Multi (S) single	(M) Multi (S) single	(M) Multi (S) single	(M) Multi (S) single
11...27 VDC	11...27 VDC	11...27 VDC	11...27 VDC
<= 33 bit *	<= 33 bit *	<= 36 bit *	<= 36 bit *
<= 32768 *	<= 32768 *	<= 262144 *	<= 262144 *
<= 256000 *	<= 256000 *	<= 262144 *	<= 262144 *
± 1 digit	± 1 digit	± 1 digit	± 1 digit
8, 10, 12mm		6...12mm	8, 10, 12mm
Cable gland or connector, radial or axial, Fieldbus hood radial *	Cable gland or connector, radial or axial, Fieldbus hood radial *	Connector radial	Connector radial
-20...+70 °C; option: -40...+85 °C	-20...+70 °C; option: -40...+85 °C	-20...+70 °C	-20...+70 °C
IP65	IP65	IP65	IP54
INC	INC	INC	INC
www.tr-electronic.com/s/S006743	www.tr-electronic.com/s/S006746	www.tr-electronic.com/s/S006738	www.tr-electronic.com/s/S006739

* depending on the interface

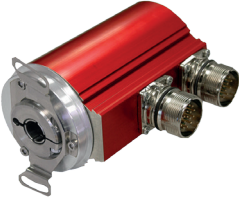


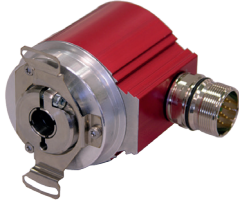









Can't find the right variant? Please contact us (info@tr-electronic.de)

Optical 18 bit (O) Double detection (D)

Products	COS58	COK58	CDV58	
				
Detection	Optical 18 bit (O)	Optical 18 bit (O)	Double detection (D)	
Single / Multi	(M) Multi (S) single	(M) Multi (S) single	(M) Multi	
Supply	11...27 VDC	11...27 VDC	11...27 VDC double	
Full resolution	<= 36 bit *	<= 36 bit *		
Steps per turn	<= 262144 *	<= 262144 *	<= 262144 *	
Number of turns	<= 262144 *	<= 262144 *	<= 256000 *	
Precision	± 1 digit	± 1 digit	± 1 digit	
Shaft diameters available	8, 10, 12mm		6...12mm	
Connectors	Connector radial	Connector radial	Connector radial	
Ambient temperature	-20...+70 °C	-20...+70 °C	-20...+70 °C	
Protection class	IP65	IP65	IP65	
ATEX-zone				
Interface	      	     	        	
Option, additional interfaces (on request)	INC	INC	INC	
Weblink	www.tr-electronic.com/s/S006744	www.tr-electronic.com/s/S006745	www.tr-electronic.com/s/S006894	
QR-Code				

* depending on the interface

Double detection (D) ATEX zone 2/22

CDS58	AMV58	AEV58	AE58
			
Double detection (D)	Magnet detection (M)	Optical 15 bit (E)	Optical 15 bit (E)
(M) Multi	(M) Multi (S) single	(M) Multi (S) single	(M) Multi (S) single
11...27 VDC double	11...27 VDC (12...30 VDC)*	11...27 VDC	11...27 VDC
	<= 24 bit *	<= 33 bit *	<= 33 bit *
<= 262144 *	<= 4096 *	<= 32768 *	<= 32768 *
<= 256000 *	<= 4096 *	<= 256000 *	<= 256000 *
± 1 digit	± 1,0 ° / ± 0,5 °*	± 1 digit	± 1 digit
8, 10, 12mm	6...12mm	6...12mm	8, 10, 12mm
Connector radial	Connector axial or radial *	Cable gland or connector, radial or axial, Fieldbus hood radial *	Connector axial or radial *
-20...+70 °C	-20...+70 °C	-20...+70 °C	-20...+70 °C
IP65	IP65	IP65	IP65
	2/22	2/22	2/22
SSI  Parallel    CANopen  	Analog	SSI Analog	SSI Analog
INC			
www.tr-electronic.com/s/S006895	www.tr-electronic.com/s/S008452	www.tr-electronic.com/s/S007163	www.tr-electronic.com/s/S007164
			

* depending on the interface

Can't find the right variant? Please contact us (info@tr-electronic.de)

Suggested Products

Order code	Steps per turn	Turns	Shaft / Flange	Connector position	Connector type	Remark
CMV58-SSI (M) Magnet detection, solid shaft, SSI						
CMV58M-00002	4096	4096	10FL/19,5 ZB36 3xM3+3xM4	Radial	M23, 12 pin	Preset V/R
CMV58-A (M) Magnet detection, solid shaft, analogue						
CMV58M-00044	4096	256	6GL/10 ZB50	Radial	M23, 12 pin	4...20 mA
CMV58M-00055	4096	256	10FL/19,5 ZB36 3xM3+3xM4	Radial	M23, 12 pin	0...10V
CMV58S-00011	4096	1	10FL/19,5 ZB36 3xM3+3xM4	Radial	M23, 12 pin	0...10 V
CMV58S-00013	4096	1	10FL/19,5 ZB36 3xM3+3xM4	Radial	M23, 12 pin	4...20 mA
CMV58-PB (M) Magnet detection, solid shaft, profibus						
CMV58M-00003	4096	4096	10FL/19,5 ZB36 3xM3+3xM4	Axial	2x 5 pin M12	
CMV58M-00005	4096	4096	10FL/19,5 ZB36 3xM3+3xM4	Axial	2x 5 pin M12	
CMV58S-00001	4096	1	10FL/19,5 ZB36	Axial	2x 5 pin M12 1x 4 pin M8	
CMV58-CO (M) Magnet detection, solid shaft, CANopen						
CMV58M-00017	2048	4096	10FL/19,5 ZB36	Axial	2x 5pin M12	Us via bus
CMV58S-00005	1024	1	6GL/10 ZB50	Axial	2x 5 pin M12	
CMH58-SSI (M) Magnet detection, hollow shaft, SSI						
CMH58M-00005	4096	4096	12H7 hollow through shaft	Radial	M23, 12 pin	Preset V/R
CMH58S-00002	4096	1	12H7 hollow through shaft	Radial	M23, 12 pin	Preset V/R
CMS58-SSI (M) Magnet detection, blind shaft, SSI						
CMS58M-00004	4096	4096	12H7 blind shaft	Radial	M23, 12 pin	Preset V/R
CMS58S-00005	3600	1	12H7 blind shaft	Radial	M23, 12 pin	Preset V/R
CMS58-A (M) Magnet detection, blind shaft, analogue						
CMS58M-00024	4096	16	12H7 blind shaft	Radial	M23, 12 pin	4...20 mA
CMS58S-00009	4096	1	12H7 blind shaft	Radial	M23, 12 pin	0...10V
CMS58-PB (M) Magnet detection, blind shaft, profibus						
CMS58M-00005	4096	4096	12H7 blind shaft	Axial	2x 5 pin M12 1x 4 pin M8	
CMS58S-00004	4096	1	12H7 blind shaft	Axial	2x 5 pin M12 1x 4 pin M8	

For further product information simply enter the order number in the search field at www.tr-electronic.de.

We will help you to select the most suitable products from the complete TR range. Please contact us (info@tr-electronic.de).

Order code	Steps per turn	Turns	Shaft / Flange	Connector position	Connector type	Remark
CM558-CO (M) Magnet detection, blind shaft, CANopen						
CM558M-00015	2048	4096	12H7 blind shaft	Axial	2x 5 pin M12	
CEV58-SSI (E) Optical 15 bit, solid shaft, SSI						
CEV58M-00051	8192	4096	10FL/19,5 ZB36, 15 mm thick	Radial	M23, 12 pin	
CEV58M-00180	4096	4096	12NUT/25 ZB50	Cable Gland radial	SUBD 25P	
CEV58S-00002	8192	1	10FL/19,5 ZB36	Radial	M23, 12 pin	
CEV58-PB (E) Optical 15 bit, solid shaft, profibus						
CEV58M-00167	8192	4096	10FL/19,5 ZB36	Radial	2XM16X1,5/1XM12X1,5	Fieldbus hood
CEV58M-00299	8192	4096	10FL/19,5 ZB36	Radial	2x 5 pin M12 1x 4 pin M8	
CEV58S-00022	8192	1	10FL/19,5 ZB36	Radial	2XM16X1,5/1XM12X1,5	Fieldbus hood
CEV58-CO (E) Optical 15 bit, solid shaft, CANopen						
CEV58M-00433	8192	4096	10FL/19,5 ZB36	Radial	2x 5 pin M12 1x 4 pin M8	
CEV58S-00053	8192	1	10FL/19,5 ZB36	Radial	2XM16X1,5	Fieldbus hood
CEV58S-00123	8192	1	10FL/19,5 ZB36 3xM3+3xM4	Radial	2x 5 pin M12	
CEV58-DN (E) Optical 15 bit, solid shaft, DeviceNet						
CEV58M-00206	8192	4096	10FL/19,5 ZB36	Radial	2XM16X1,5	Fieldbus hood
CEV58S-00121	4096	1	6GL/10 ZB36 3xM3+3xM4	Radial	2XM16X1,5	Fieldbus hood
CEV58-PN (E) Optical 15 bit, solid shaft, Profinet						
CEV58M-00379	8192	4096	10FL/19,5 ZB36 3xM3+3xM4	Radial	3x 4 pin M12	
CEV58M-00441	8192	4096	10FL/19,5 ZB36	Axial	3x 4 pin M12	
CEV58M-00442	8192	4096	10FL/19,5 ZB36/D65	Axial	3x 4 pin M12	
CEV58M-00478	8192	4096	12FL/25 ZB50/D65	Axial	3x 4 pin M12	Flange 65mm
CEV58M-00557	8192	4096	10FL/19,5 ZB36	Axial	1X4P.M12-connector	With reset button
CEV58S-00118	8192	1	10FL/19,5 ZB36	Radial	3x 4 pin M12	

For further product information simply enter the order number in the search field at www.tr-electronic.de.

Suggested Products

Order code	Steps per turn	Turns	Shaft / Flange	Connector position	Connector type	Remark
CEV58-ETC (E) Optical 15 bit, solid shaft, EtherCAT						
CEV58M-00245	8192	4096	10FL/19,5 ZB36 3xM3+3xM4	Radial	3x 4 pin M12	
CEV58M-00466	8192	4096	10FL/19,5 ZB36	Axial	3x 4 pin M12	
CEV58S-00109	8192	1	10FL/19,5 ZB36 3xM3+3xM4	Radial	2x 4 pin M12 1x 4 pin M8	
CEV58-EIP (E) Optical 15 bit, solid shaft, Ethernet/IP						
CEV58M-00456	8192	4096	10FL/19,5 ZB36	Axial	3x 4 pin M12	
CEV58-DQ (E) Optical 15 bit, solid shaft, DRIVECLiQ						
CEV58M-00534	4096	4096	12NUT/25 ZB50	Axial	1X8P.M12-connector	Shaft with groove
CEH58-SSI (E) Optical 15 bit, hollow shaft, SSI						
CEH58M-00107	8192	4096	12H7 hollow through shaft	Radial	M23, 12 pin	
CEH58S-00034	8192	1	12H7 hollow through shaft	Radial	M23, 12 pin	
CEH58-PB (E) Optical 15 bit, hollow shaft, Profibus						
CEH58S-00052	8192	1	12H7 hollow through shaft	Radial	2x 4 pin M12 1x 4 pin M8	
CEH58-DN (E) Optical 15 bit, hollow shaft, DeviceNet						
CEH58S-00016	8192	1	12H7 hollow through shaft	Radial	2XM16X1,5	Fieldbus hood
CEH58-PN (E) Optical 15 bit, hollow shaft, Profinet						
CEH58M-00173	8192	4096	12H7 hollow through shaft	Radial	3x 4 pin M12	
CEH58S-00043	8192	1	12H7 hollow through shaft	Radial	3x 4 pin M12	
CE58-SSI (E) Optical 15 bit, blind shaft, SSI						
CE58M-00015	8192	4096	12H7 blind shaft	Radial	M23, 12 pin	
CE58S-00032	8192	1	10H7 blind shaft	Radial	M23, 12 pin	

For further product information simply enter the order number in the search field at www.tr-electronic.de.

Order code	Steps per turn	Turns	Shaft / Flange	Connector position	Connector type	Remark
CES58-PB (E) Optical 15 bit, blind shaft, Profibus						
CE58S-00013	8192	1	12H7 blind shaft	Radial	2XM16X1,5/1XM12X1,5	Fieldbus hood
CES58-CO (E) Optical 15 bit, blind shaft, CANopen						
CE58M-00001	4096	4096	12H7 blind shaft	Radial	1X8P.M12-connector	
CES58-DN (E) Optical 15 bit, blind shaft, DeviceNet						
CE58M-00039	8192	4096	12H7 blind shaft	Radial	2XM16X1,5	Fieldbus hood
CES58-PN (E) Optical 15 bit, blind shaft, Profinet						
CE58M-00157	8192	4096	12H7 blind shaft	Axial	1X4P.M12-connector	
CES58-ETC (E) Optical 15 bit, blind shaft, EtherCAT						
CE58S-00025	8192	1	10H7 blind shaft	Radial	2x 4 pin M12 1x 4 pin M8	
CE58S-00031	8192	1	12H7 blind shaft	Radial	2x 4 pin M12 1x 4 pin M8	
COV58-SSI (O) Optical 18 bit, solid shaft, SSI						
COV58M-00011	262144	256000	10FL/19,5 ZB36	Radial	M23, 12 pin	
COV58S-00014	524288	1	10FL/19,5 ZB36	Radial	M23, 12 pin	
COV58-PB (O) Optical 18 bit, solid shaft, Profibus						
COV58M-00014	65536	4096	10FL/19,5 ZB36	Radial	2XM16X1,5/1XM12X1,5	Fieldbus hood
COV58S-00027	262144	1	10FL/19,5 ZB36	Radial	2XM16X1,5/1XM12X1,5	Fieldbus hood
COV58-CO (O) Optical 18 bit, solid shaft, CANopen						
COV58M-00024	262144	4096	10FL/19,5 ZB36	Radial	2x 5 pin M12 1x 4 pin M8	
COV58S-00031	262144	1	10FL/19,5 ZB36	Radial	2x 5 pin M12 1x 4 pin M8	
COV58-PN (O) Optical 18 bit, solid shaft, Profinet						
COV58M-00017	131072	4096	10FL/19,5 ZB36	Radial	3x 4 pin M12	

For further product information simply enter the order number in the search field at www.tr-electronic.de.

Suggested Products

Order code	Steps per turn	Turns	Shaft / Flange	Connector position	Connector type	Remark
------------	----------------	-------	----------------	--------------------	----------------	--------

COV58-ETC (O) Optical 18 bit, solid shaft, EtherCAT

COV58M-00018	262144	4096	10FL/19,5 ZB36	Radial	3x 4 pin M12	
COV58S-00024	262144	1	10FL/19,5 ZB36	Radial	3x 4 pin M12	

COH58-SSI (O) Optical 18 bit, hollow shaft, SSI

COH58M-00008	131072	4096	12H7 hollow through shaft	Radial	M23, 17 pin	+ SIN/COS
COH58S-00005	131072	1	12H7 hollow through shaft	Radial	M23, 12 pin	

COH58-PB (O) Optical 18 bit, hollow shaft, Profibus

COH58M-00012	131072	4096	12H7 hollow through shaft	Radial	2XM16X1,5/1XM12X1,5	Fieldbus hood
COH58S-00010	262144	1	10H7 hollow through shaft	Radial	2XM16X1,5/1XM12X1,5	Fieldbus hood

COS58-PB (O) Optical 18 bit, blind shaft, Profibus

COS58M-00004	131072	4096	10H7 blind shaft	Radial	2XM16X1,5/1XM12X1,5	Fieldbus hood
COS58S-00004	65536	1	12H7 blind shaft	Radial	2XM16X1,5/1XM12X1,5	Fieldbus hood

ATEX AEV58-SSI (E) Optical 15 bit, solid shaft, SSI

AEV58M-00001	8192	4096	10FL/19,5 ZB36	Radial	M23, 12 pin	ATEX zone 2 / 22
--------------	------	------	----------------	--------	-------------	------------------

ATEX AES58-SSI (E) Optical 15 bit, blind shaft, SSI

AES58M-00001	8192	4096	10H7 blind shaft	Radial	M23, 12 pin	ATEX zone 2 / 22
--------------	------	------	------------------	--------	-------------	------------------

Further product information

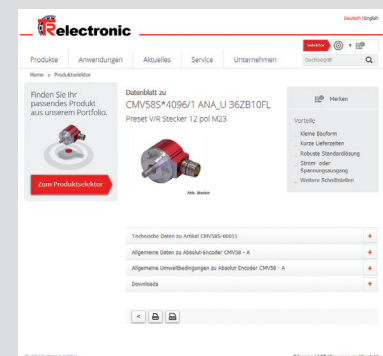
1. Enter order code into ...

Bestellnummer	Umdrehung	Weller
CMV58-A		
CMV58S-00011	1,000	Ø10h7

2. Searchfield (top right) on www.tr-electronic.com



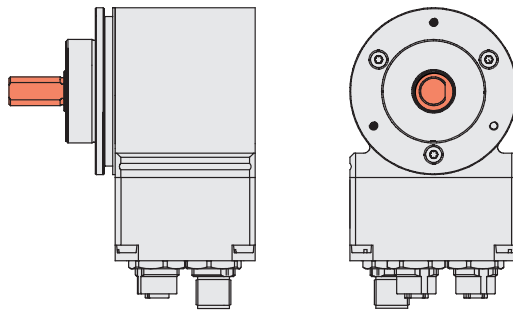
3. Choose desired information



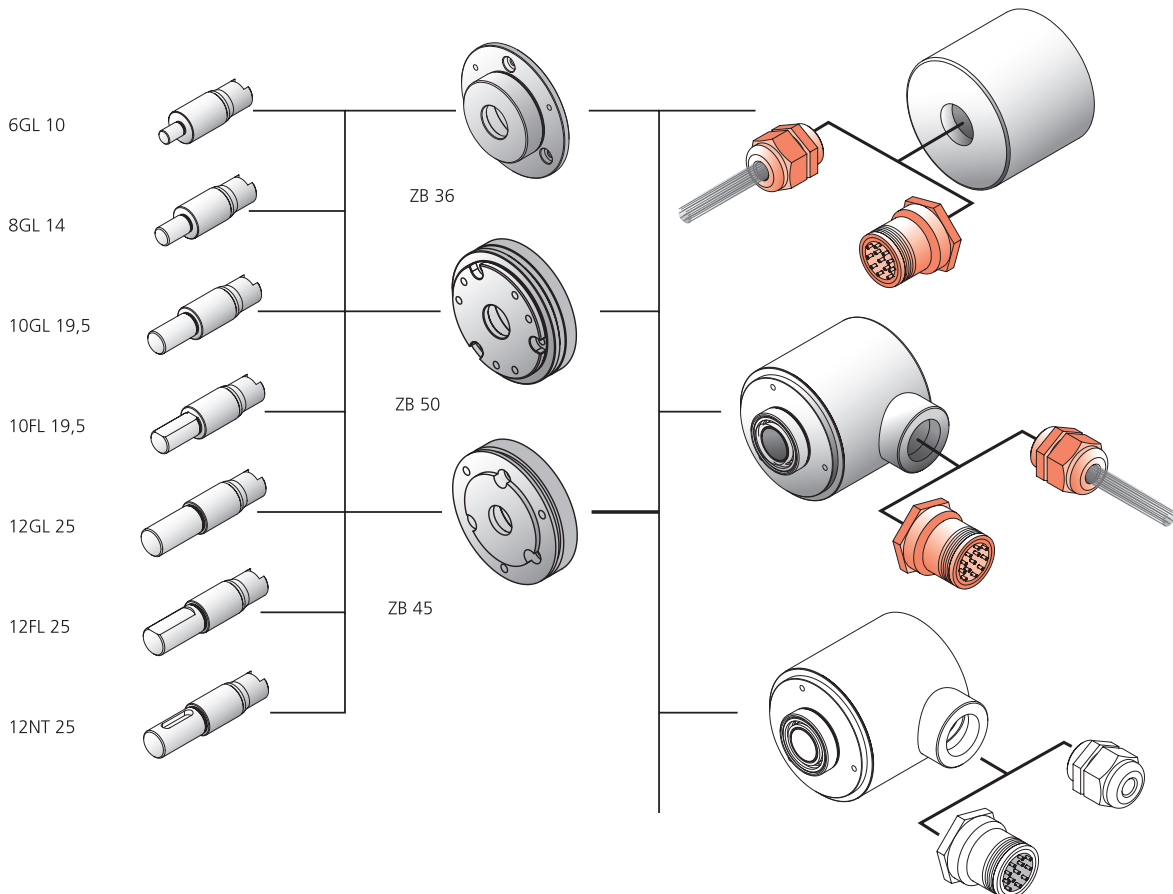
We will help you to select the most suitable products from the complete TR range. Please contact us (info@tr-electronic.de).

Shaft Types

Solid shaft



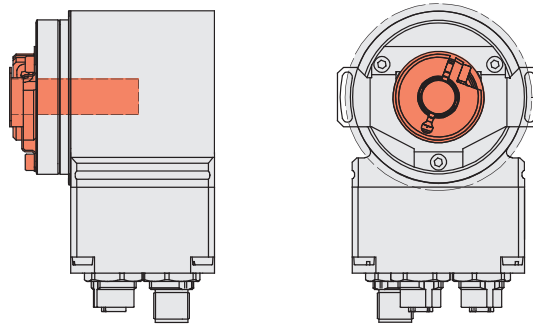
Standard shafts and flanges



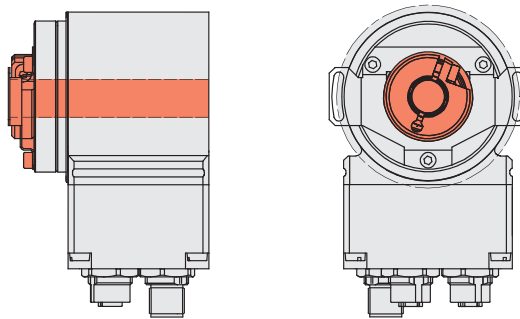
Illustrations are schematic diagrams. Binding dimension drawings and CAD data for specific order numbers at www.tr-electronic.com or on request.

Shaft Types

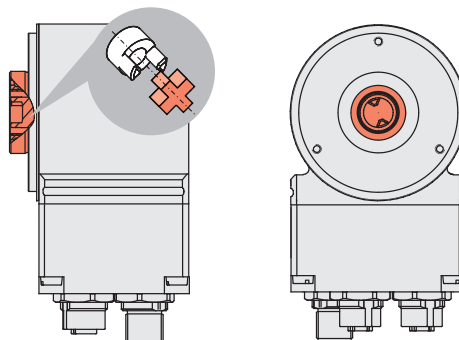
Blind shaft



Hollow shaft

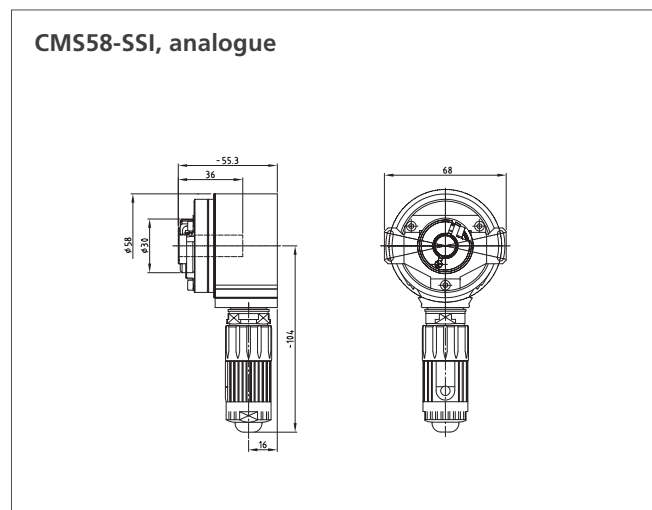
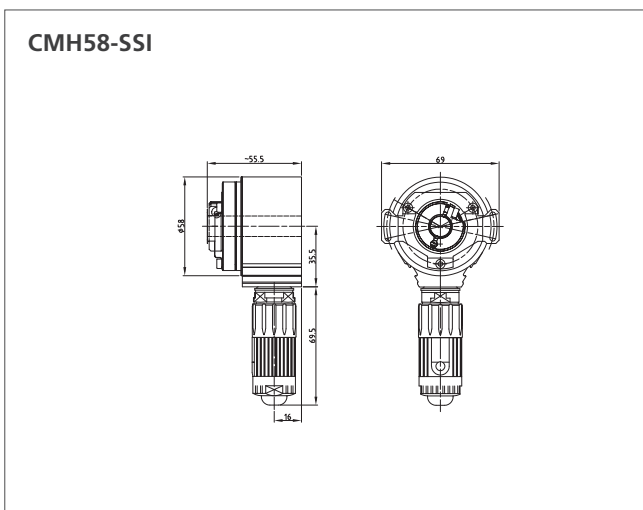
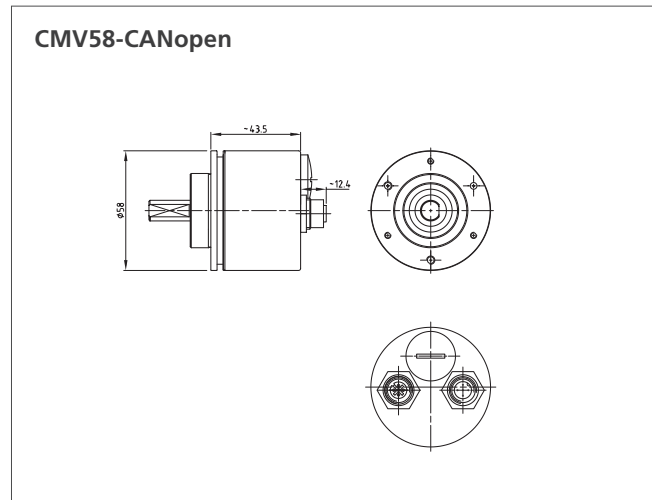
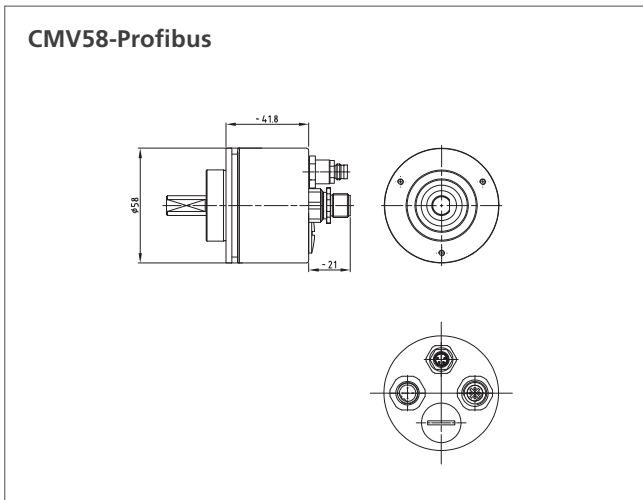
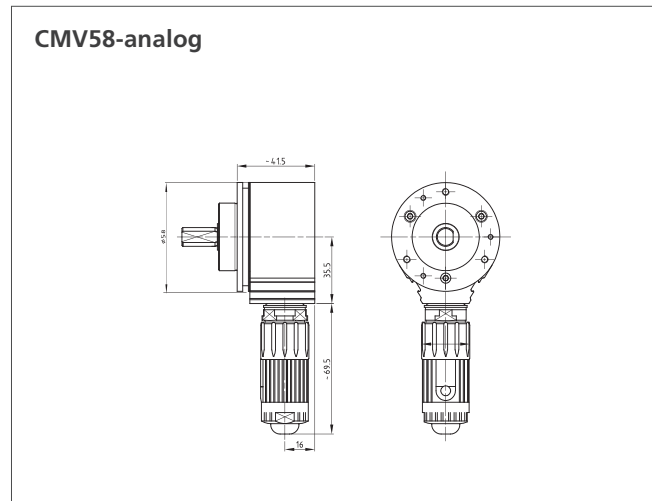
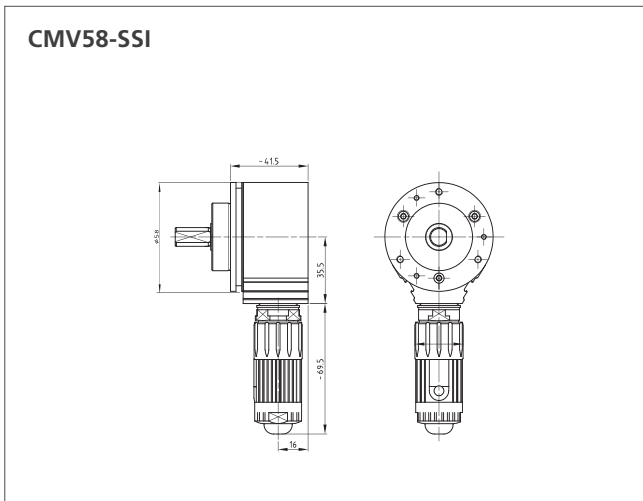


Integrated coupling



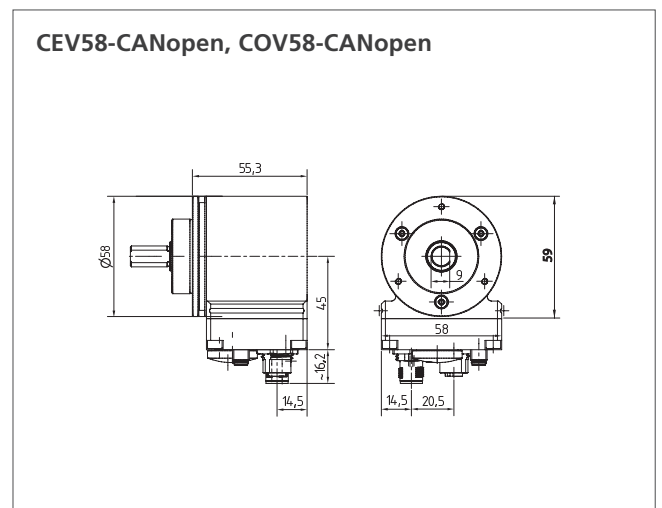
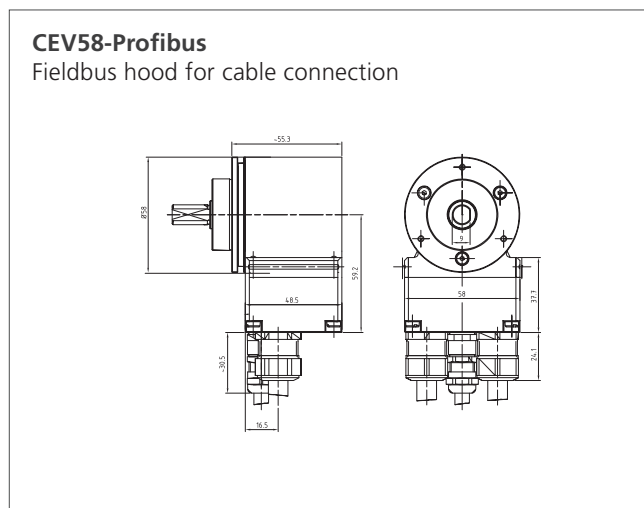
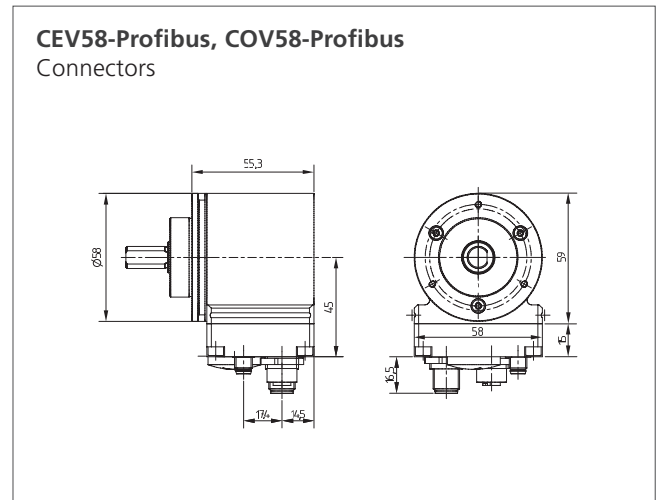
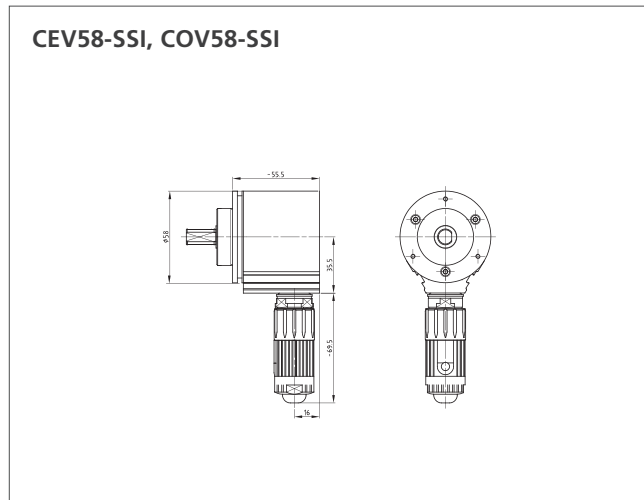
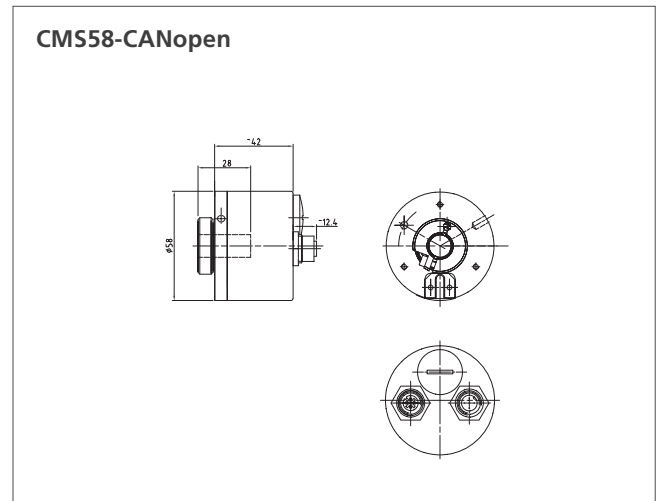
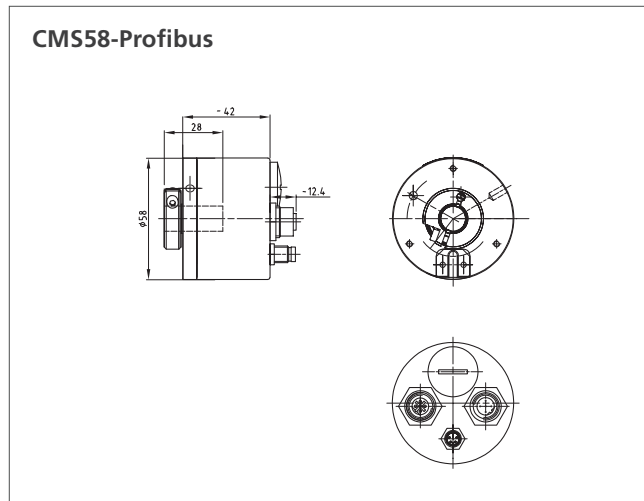
Illustrations are schematic diagrams. Binding dimension drawings and CAD data for specific order numbers at www.tr-electronic.com or on request.

Dimensional Drawings



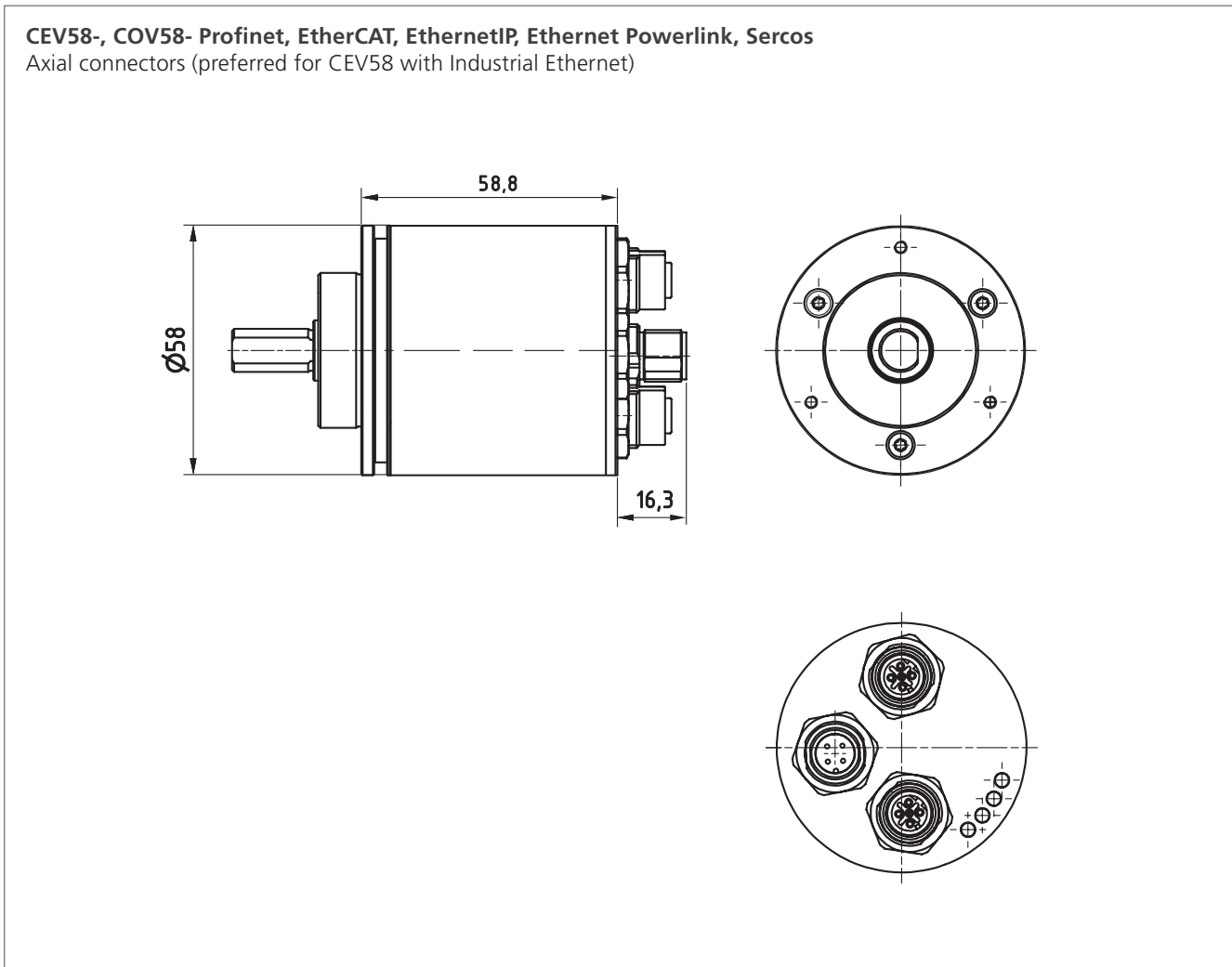
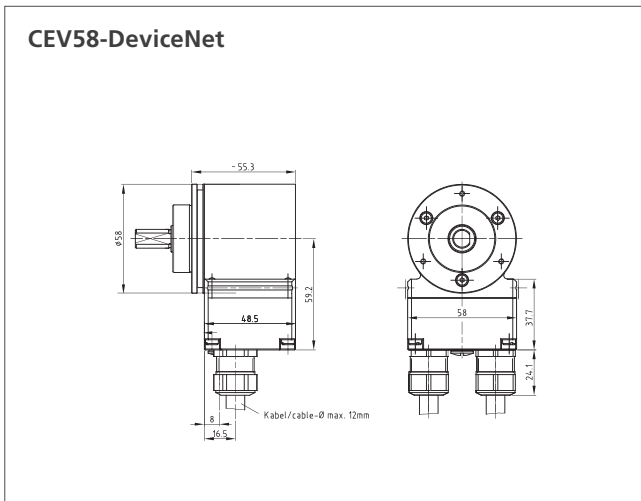
Illustrations are schematic diagrams. Binding dimension drawings and CAD data for specific order numbers at www.tr-electronic.com or on request.

Dimensional Drawings



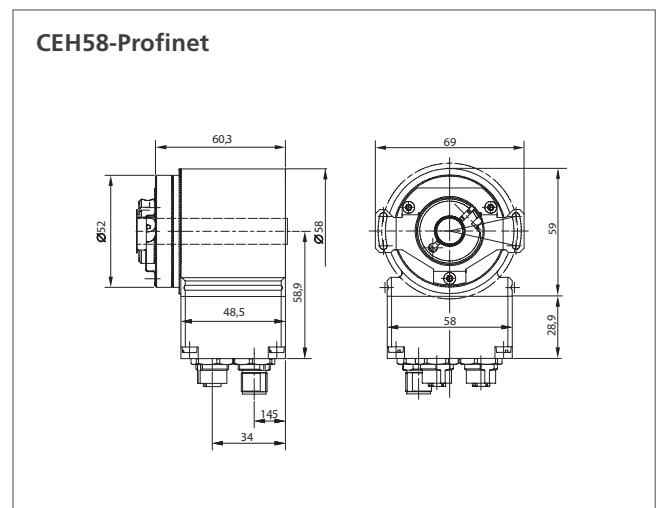
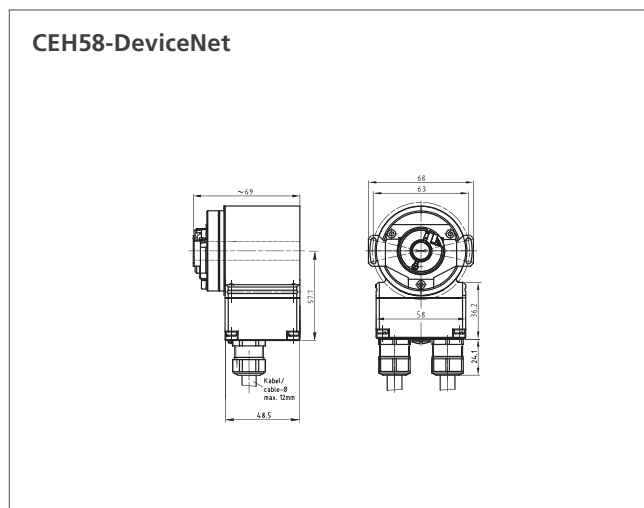
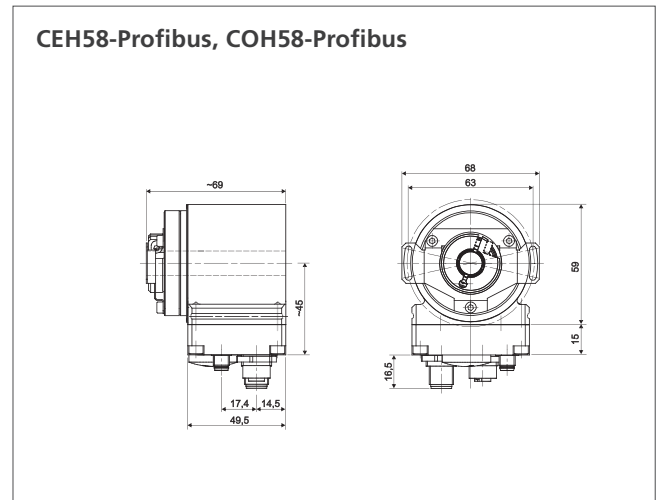
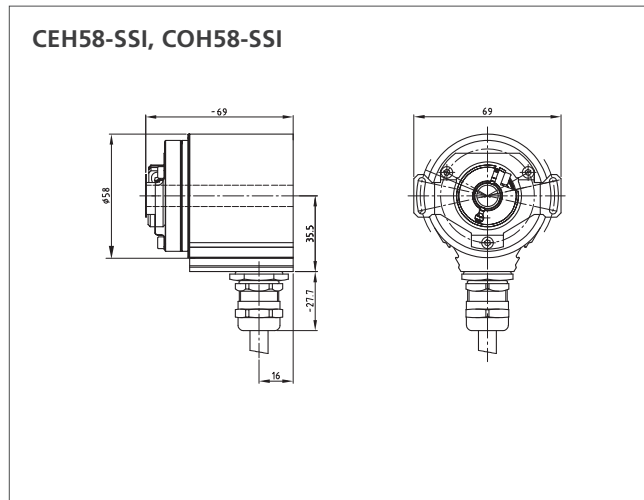
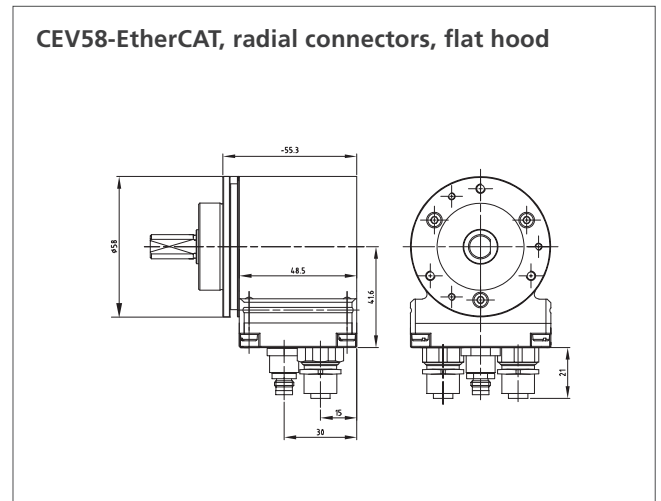
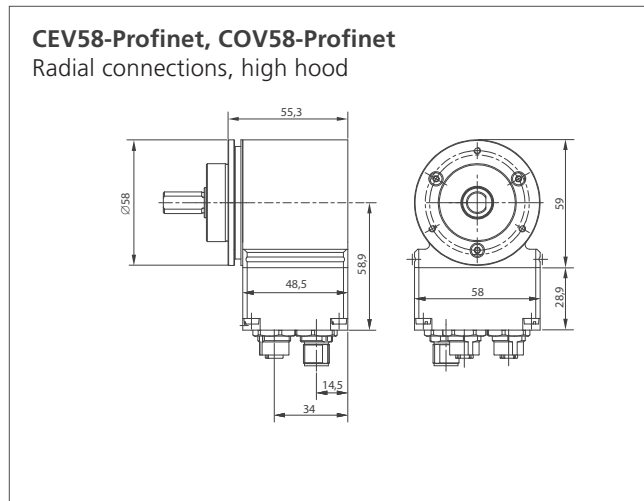
Illustrations are schematic diagrams. Binding dimension drawings and CAD data for specific order numbers at www.tr-electronic.com or on request.

Dimensional Drawings



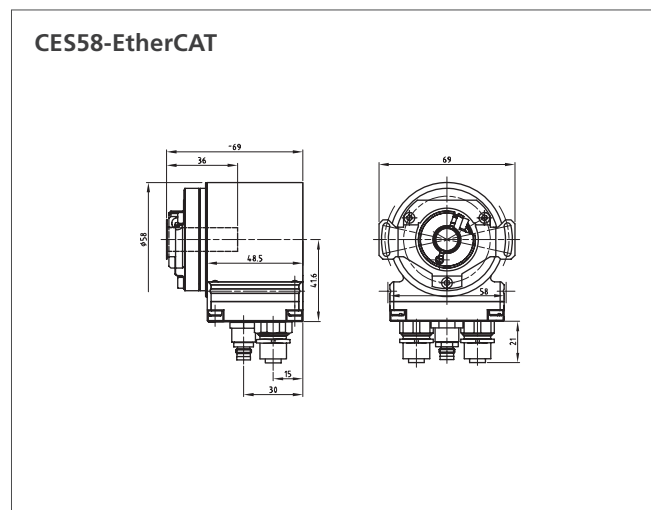
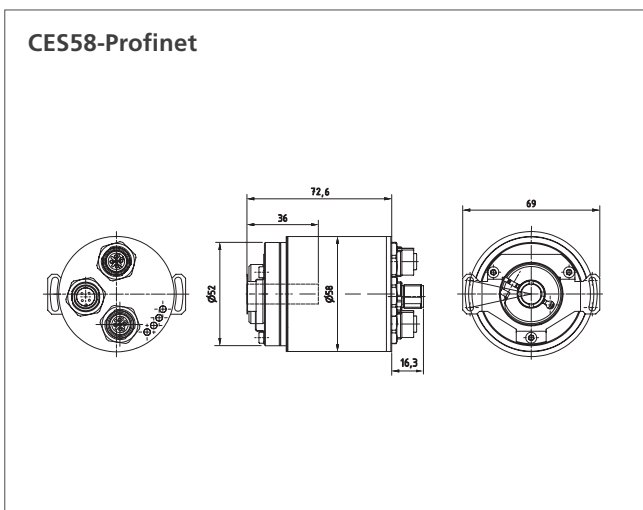
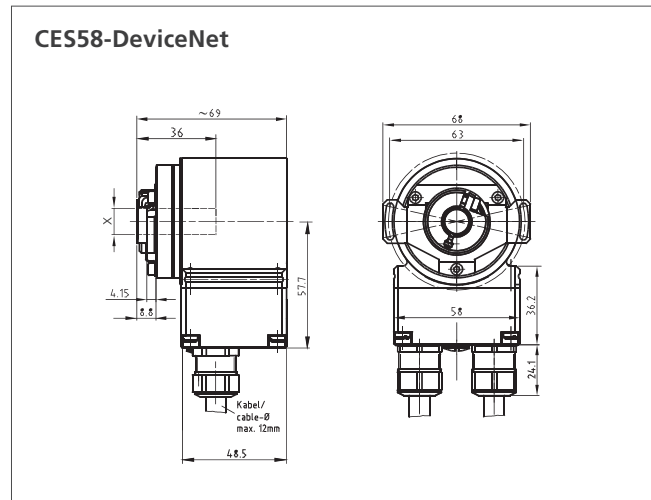
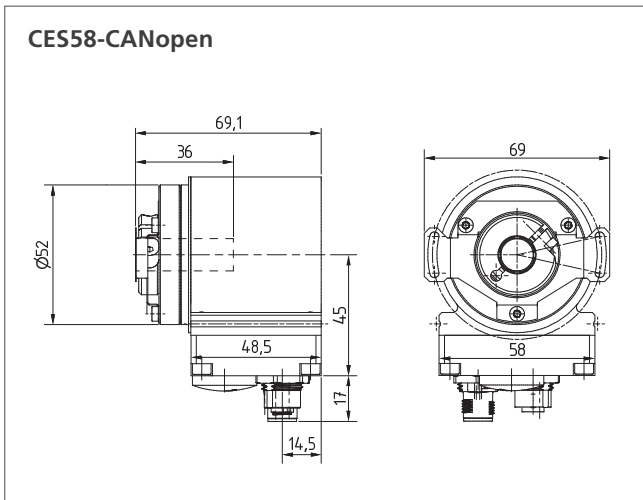
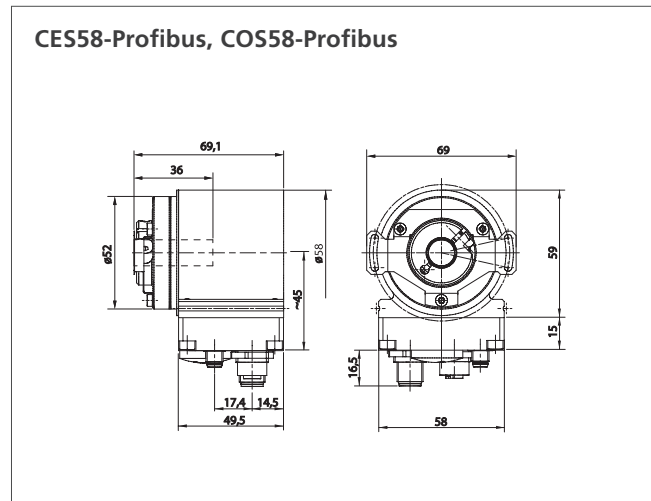
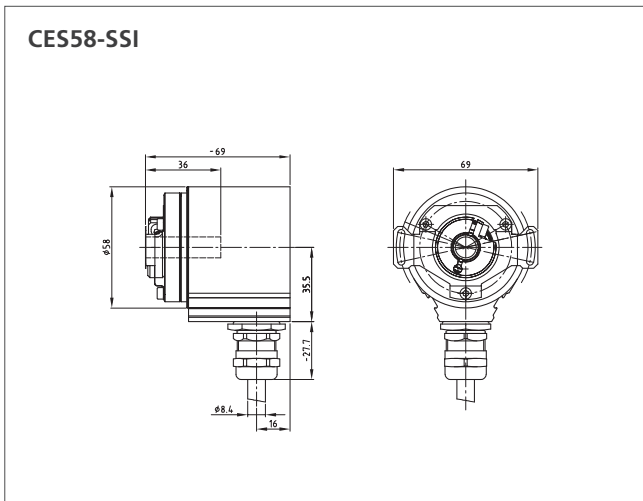
Illustrations are schematic diagrams. Binding dimension drawings and CAD data for specific order numbers at www.tr-electronic.com or on request.

Dimensional Drawings



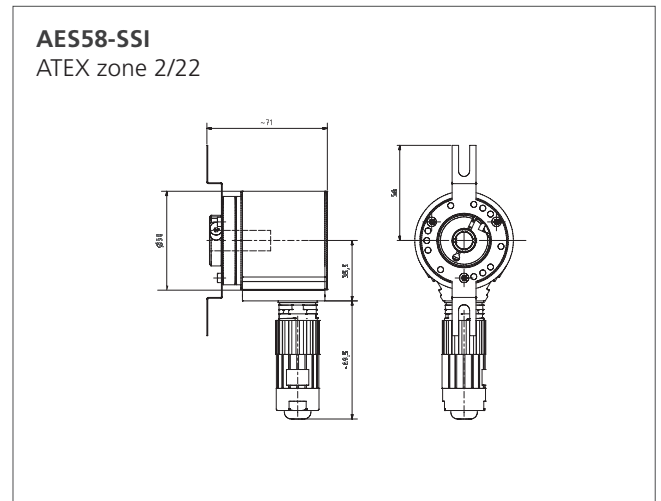
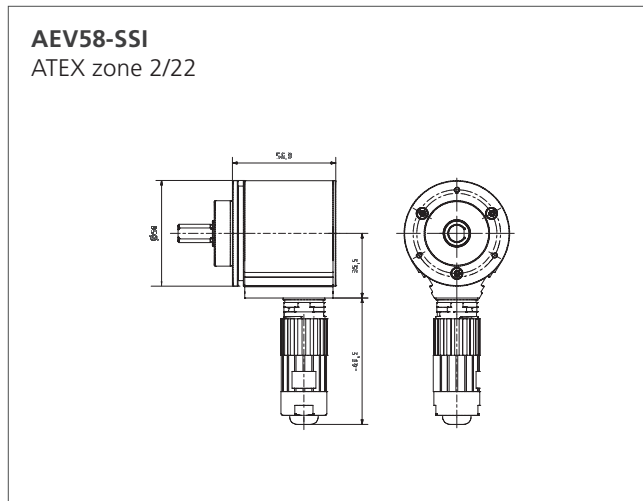
Illustrations are schematic diagrams. Binding dimension drawings and CAD data for specific order numbers at www.tr-electronic.com or on request.

Dimensional Drawings



Illustrations are schematic diagrams. Binding dimension drawings and CAD data for specific order numbers at www.tr-electronic.com or on request.

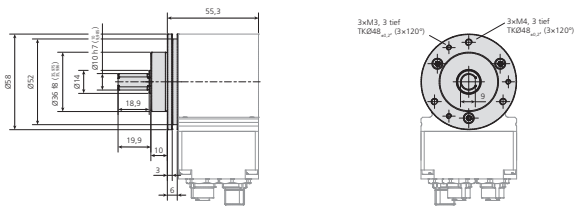
Dimensional Drawings



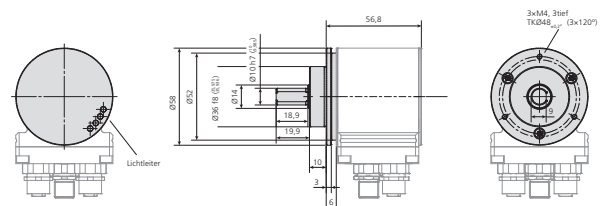
Flanges

Standard flange ZB 36 M3/M4

Other drill patterns available

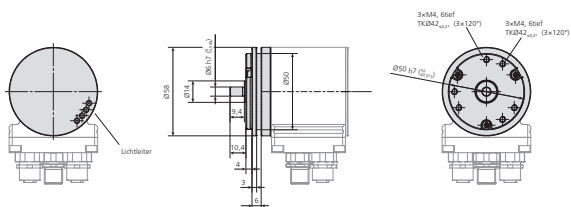


Standard flange ZB 36 M4

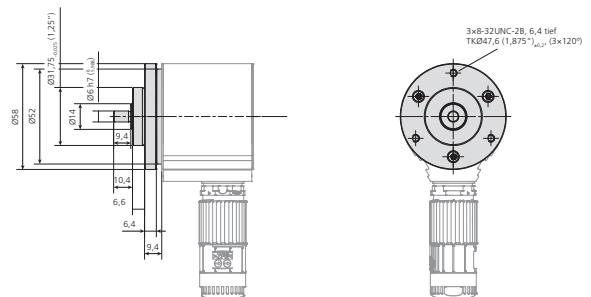


Standard flange ZB 50

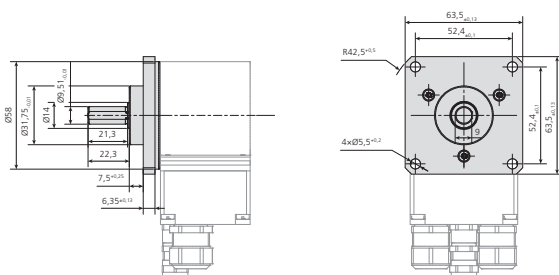
Other drill patterns available



Flange ZB 31,75 (1,25")

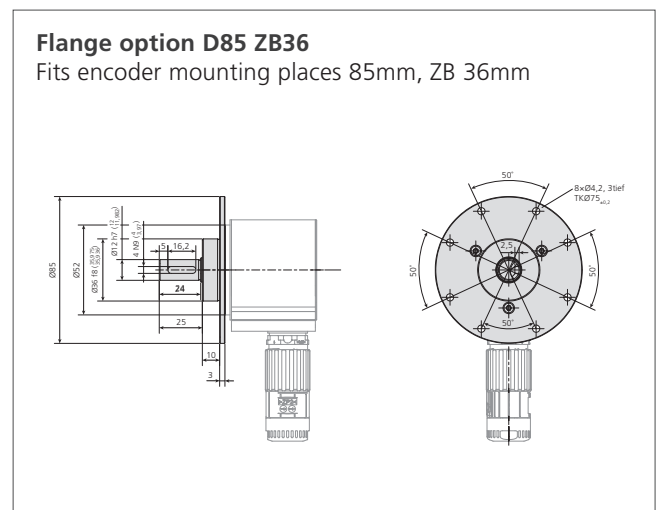
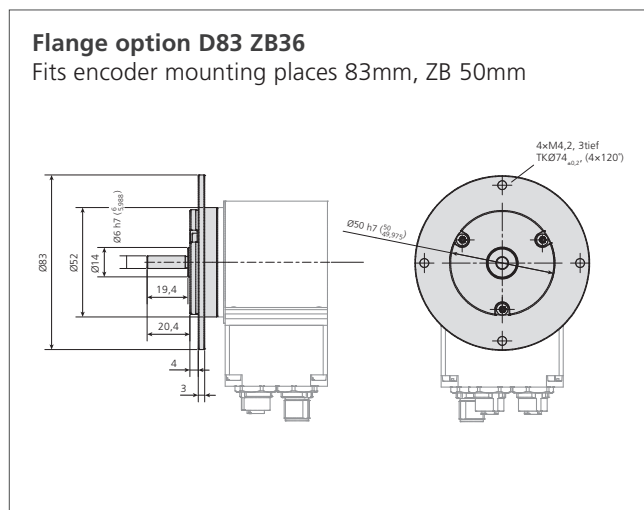
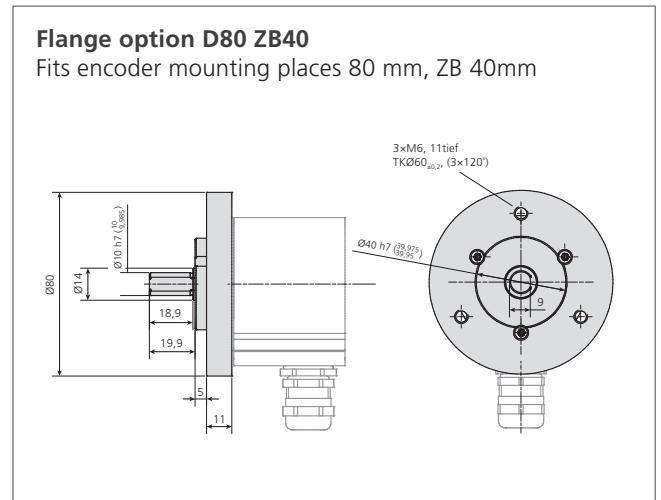
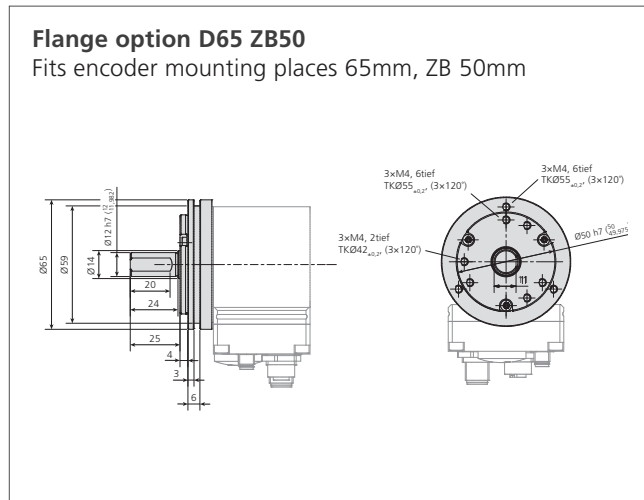
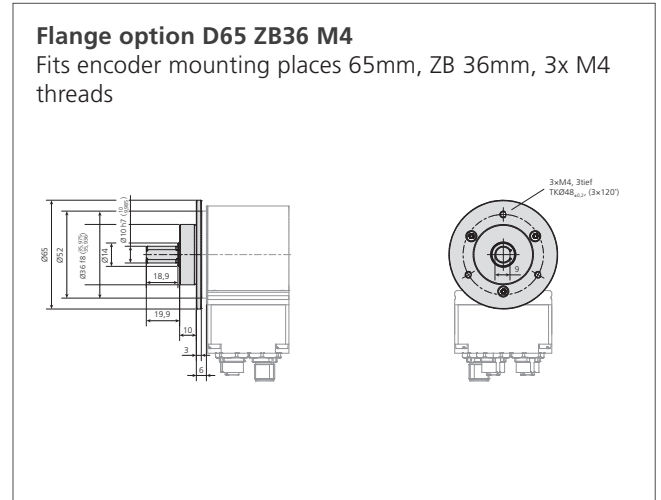
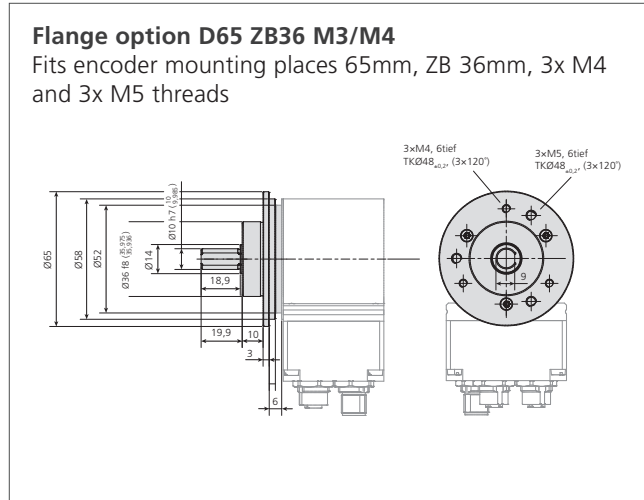


Square flange ZB 31,75 (1,25")



Can't find the right variant? Please contact us (info@tr-electronic.de). Illustrations are schematic diagrams. Binding dimension drawings and CAD data for specific order numbers at www.tr-electronic.com or on request.

Flanges

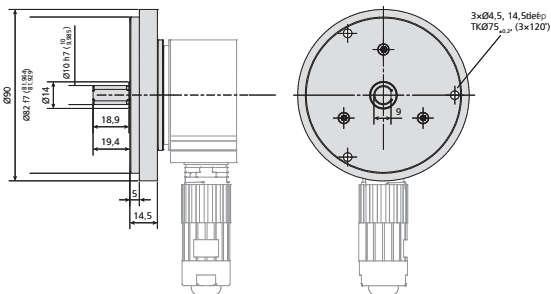


Can't find the right variant? Please contact us (info@tr-electronic.de). Illustrations are schematic diagrams. Binding dimension drawings and CAD data for specific order numbers at www.tr-electronic.com or on request.

Flanges

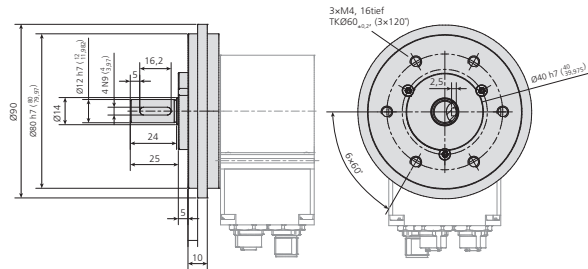
Flange option D90 ZB82

Fits encoder mounting places 90mm, ZB 82mm



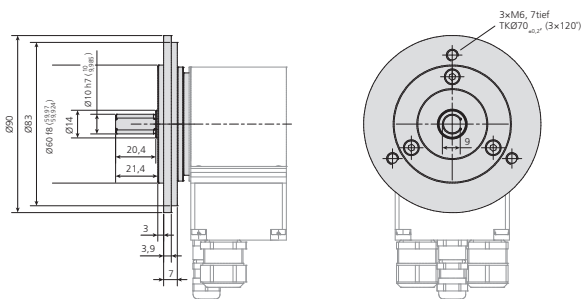
Flange option D90 ZB80,40

Fits encoder mounting places 90mm, ZB 80mm, 40mm



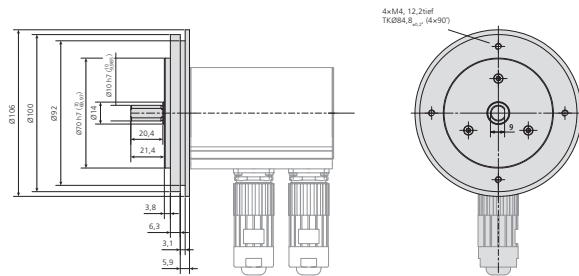
Flange option D90 ZB 60

Fits encoder mounting places 90mm, ZB 60mm



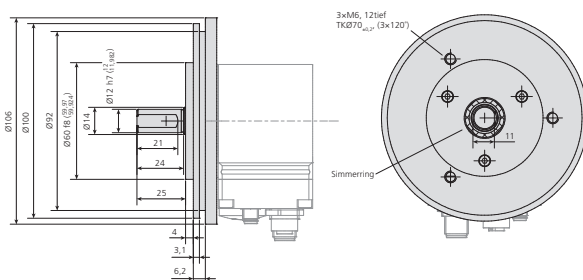
Flange option D106 ZB70

Fits encoder mounting places 106mm, ZB 70mm



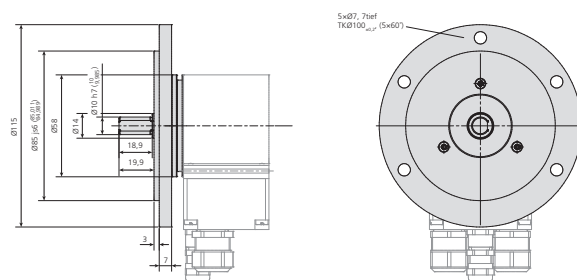
Flange option D106 ZB60

Fits encoder mounting places 106mm, ZB 60mm



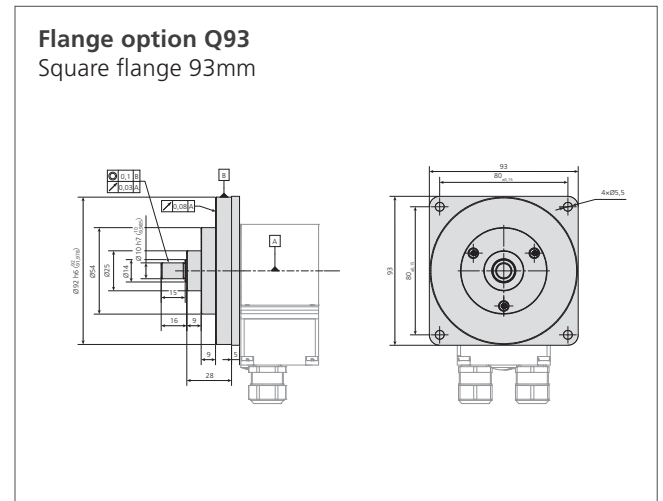
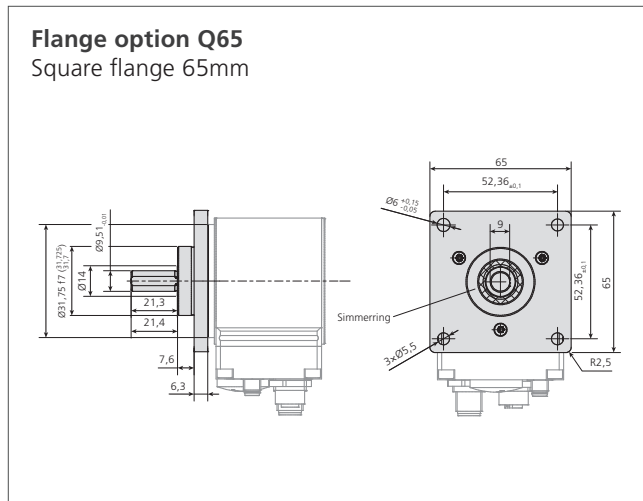
Flange option D115 ZB85

Fits encoder mounting places 115mm, ZB 85mm



Can't find the right variant? Please contact us (info@tr-electronic.de). Illustrations are schematic diagrams. Binding dimension drawings and CAD data for specific order numbers at www.tr-electronic.com or on request.

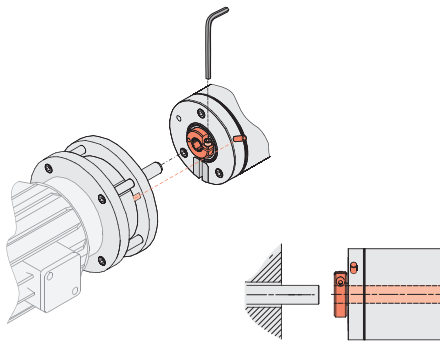
Flanges



Assembly Examples

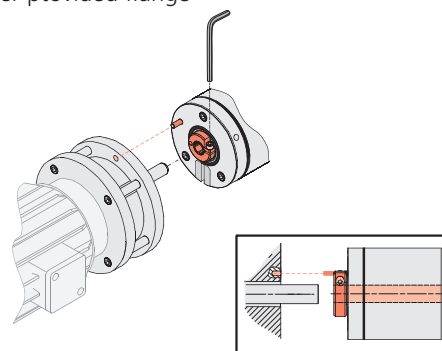
Blind- and hollow-shaft - encoder fixation

Pin, radial, fits into a groove of customer-provided flange



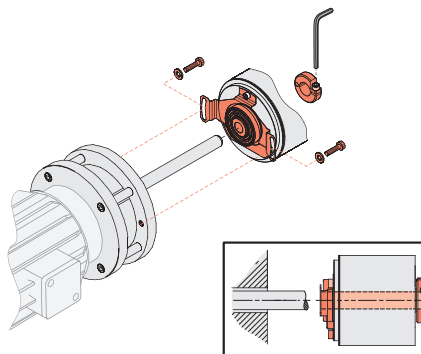
Blind- and hollow-shaft - encoder fixation

Pin, axial in encoder flange fits into bore/groove of customer-provided flange



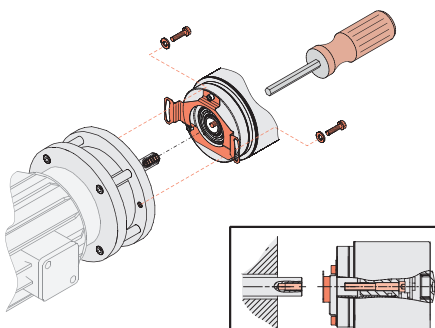
Blind- and hollow-shaft - encoder fixation

Sheet-metal torque support, here with clamping ring.



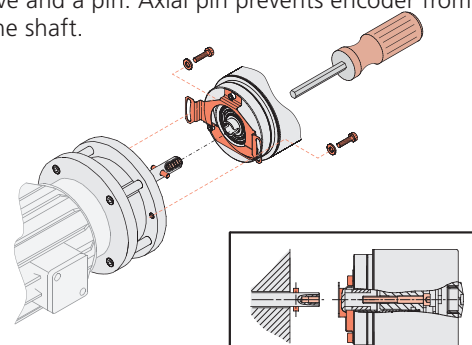
Blind- and hollow-shaft - encoder fixation

Axial screw attaches the shaft to the encoder. Here with a sheet-metal torque support.



Blind- and hollow-shaft - shaft fixation

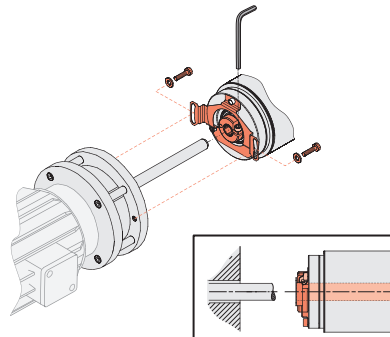
Transmission of torque is done by form closure by a V-groove and a pin. Axial pin prevents encoder from falling off the shaft.



Assembly Examples

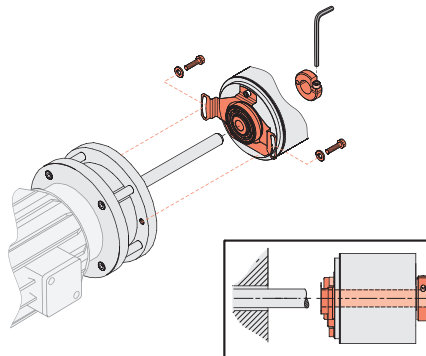
Blind- and hollowShaft - shaft fixation

Blind shaft and hollow shaft devices usually have clamping ring on flange side.



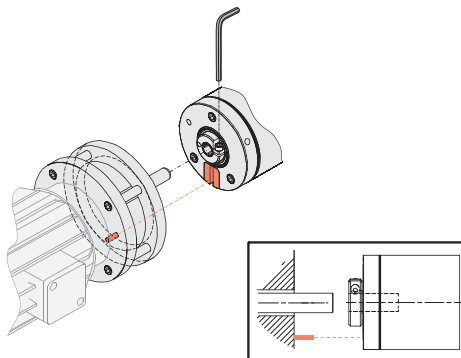
Blind- and hollow-shaft - shaft fixation

Hollow shaft devices can be ordered with clamping ring hood side.



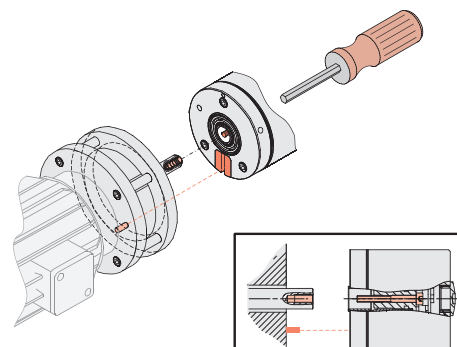
Blind shaft

Pin/groove axial, clamping ring

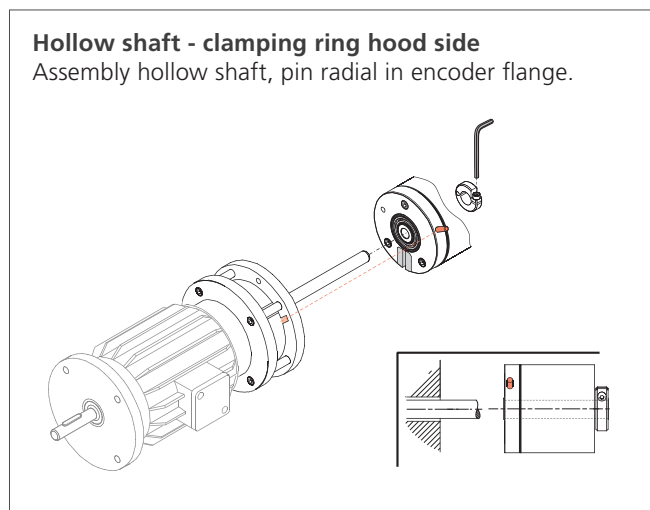
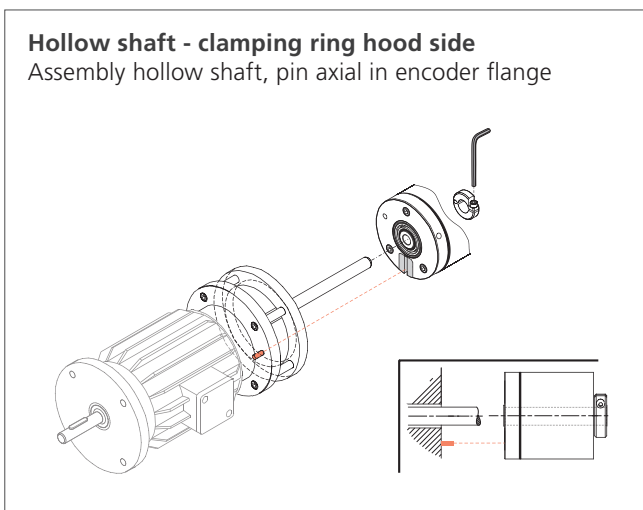
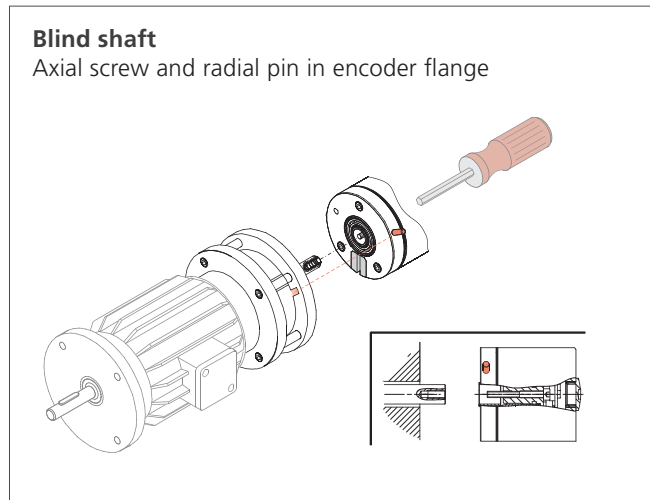
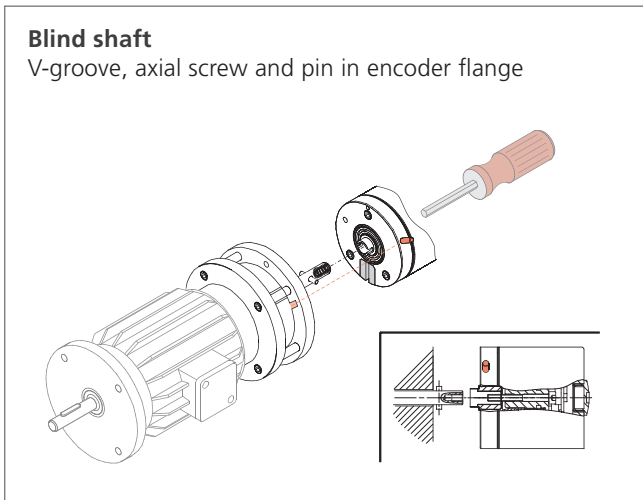
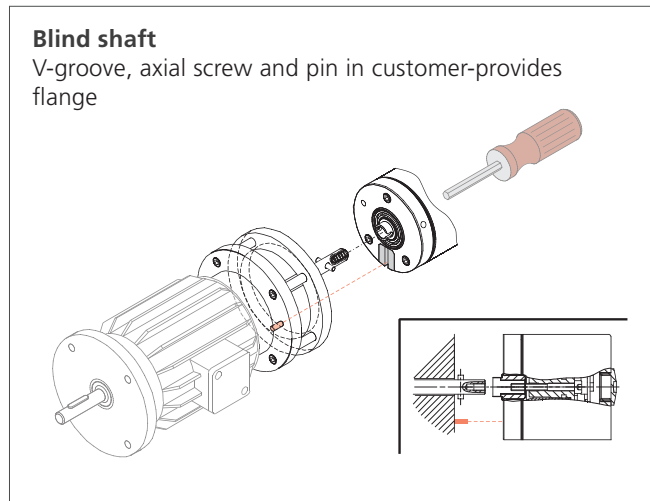
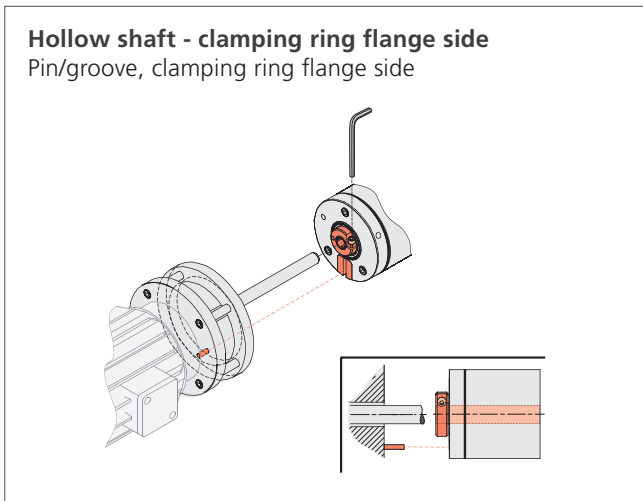


Blind shaft

Axial screw



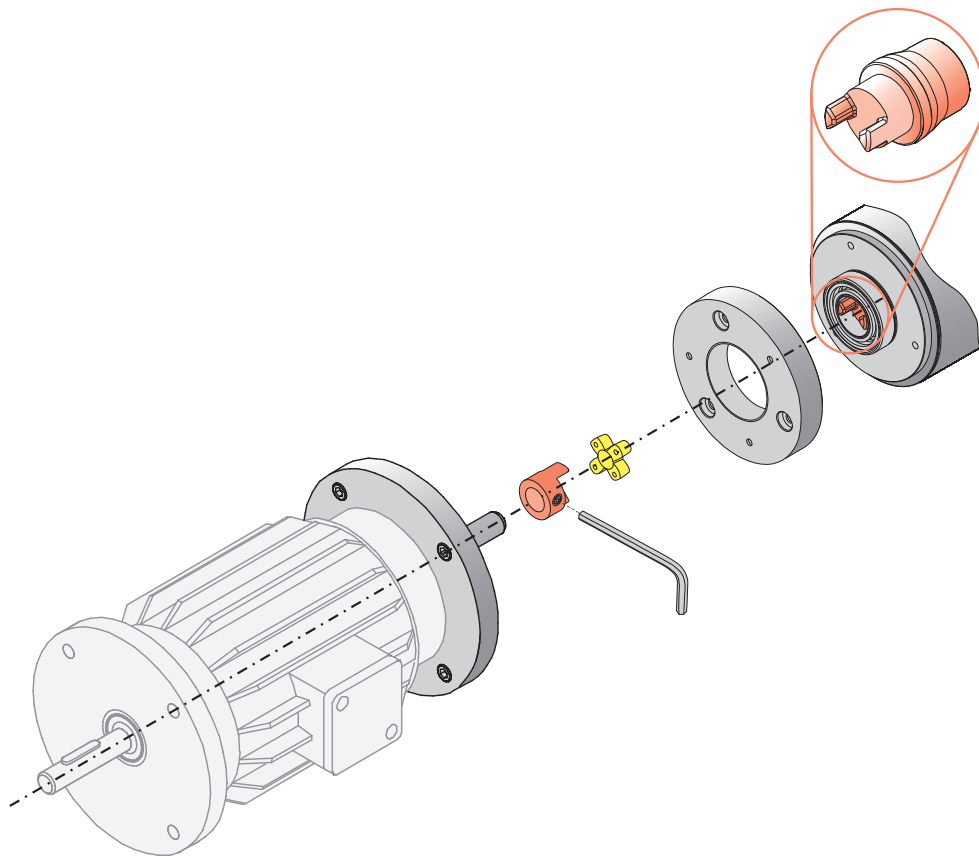
Assembly Examples



Assembly Examples

Integrated coupling

Assembly with integrated coupling





TR-Electronic – your partner in automation

Rotary encoders

Absolute encoder, incremental rotary encoder, wire-actuated encoder

Rotary encoders with optical and magnetic scanning functions register the precise position in a wide variety of applications and industries. In medical engineering, miniature versions ensure correct positioning while SIL3-approved absolute rotary encoders provide the necessary safety. We offer not only high-quality rotary encoders (from Ø 22 to 160 mm) for almost any application but also a comprehensive range of accessories.

Linear encoders

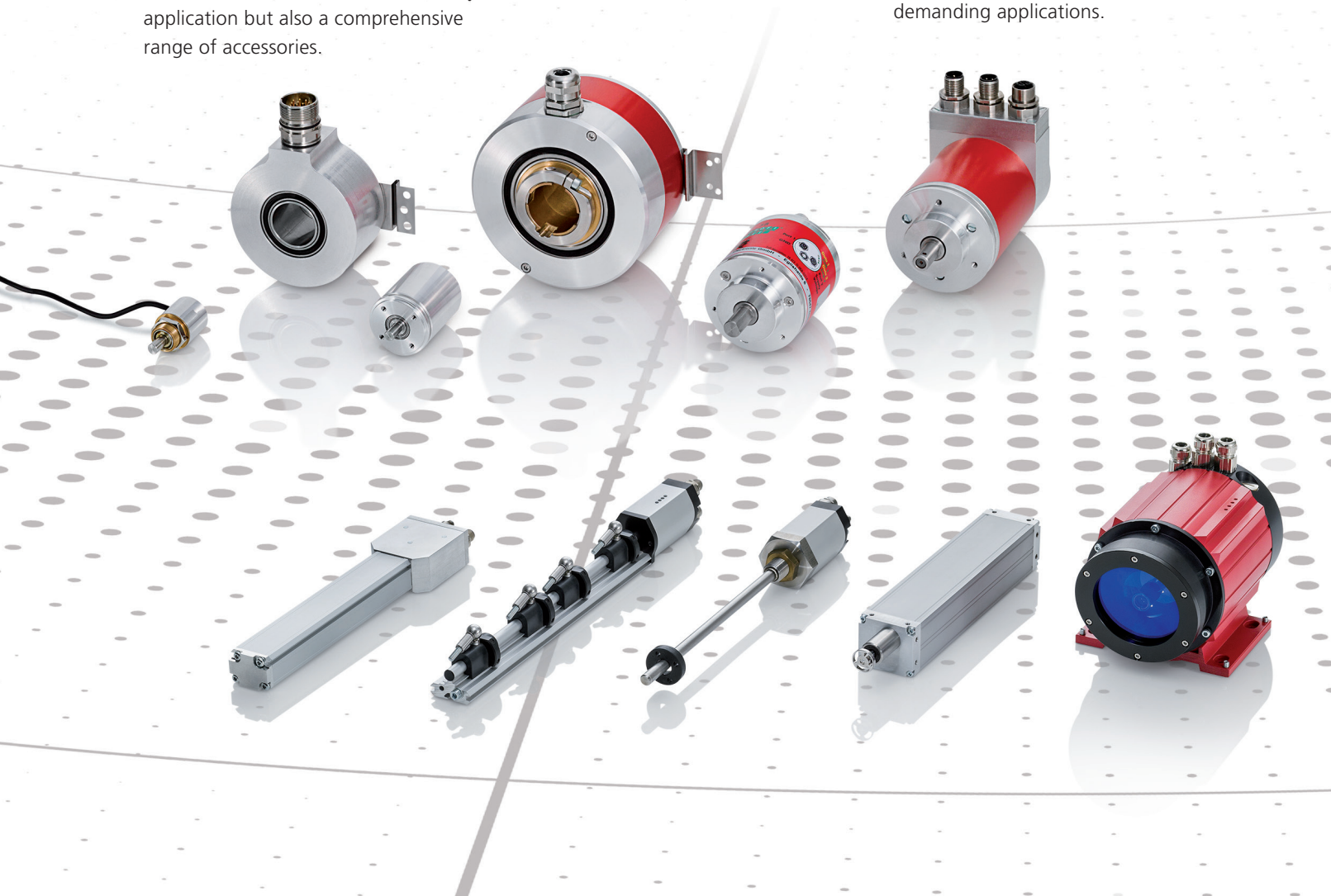
Linear absolute measuring systems, laser displacement measurement

Linear encoders register linear motions in machines, tools and systems according to the specific requirements of different technologies. Linear encoders allow measuring distances of max. 20 m almost without any wear. This value is max. 240 m for laser measuring systems. Machines and systems can be precisely controlled to reach their desired positions.

Motion

Servo drives, compact drives, process drives

Intelligent encoTRive drives are available with the current field bus systems, such as PROFIBUS, PROFINET and CANopen, within a power range of up to 300 watts. These drives are configured to meet customer requirements and can be freely combined with a precision gear, holding brake and I/O. Values of up to 4,350 rpm and a powerful 200 Nm are available to cope with demanding applications.



Components

**Industrial PC, field bus I/O,
PLC, HMI controller**

Industrial PCs are available in numerous variants and offer customized calculation power for PC-assisted automation. Programmable logic controllers (PLC) are the traditional means for automation. HMI controllers establish the interface for the user. Field bus nodes, I/O modules and cam controllers complete the range of automation components.

Automation

**Consulting and implementation
for new machines and retrofitting**

You want to set up a largely automated new machine or retrofit and modernize your existing machine with automation systems? Then you need our extensive expert knowledge and our more than 20 years of experience.

Unidor

**Blanking and forming,
systems, controls and sensors**

Pioneering blanking and forming technology for more than 30 years, we are your reliable partner in the world of blanking and pressing and have proved this with the thousands of machines which we have successfully installed all over the world. Sensors, controls and systems ensure optimal results in machines, tools and retrofit projects.

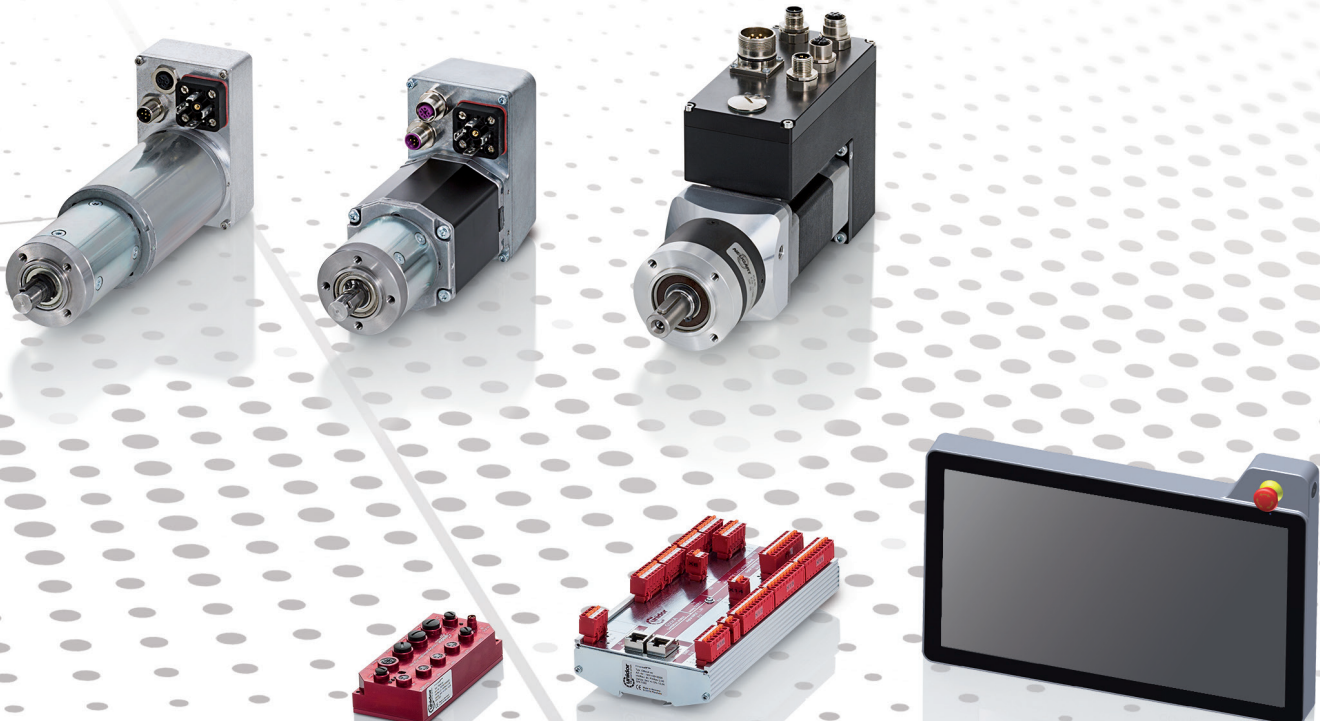


photo background: ekras99/Fotolia.com

Headquarters

TR-Electronic GmbH
Eglishalde 6

D-78647 Trossingen
Germany

Tel.: +49/7425 228-0
Fax: +49/7425 228-33

info@tr-electronic.de
www.tr-electronic.de

International

Argentina

AEA Aparatos Eléctricos
Automáticos
S.A.C.I.E./Asunción 2130
AR-1419 Buenos Aires
Tel.: +54/11 - 4574 1155
Fax: +54/11 - 4574 2400
servicioalcliente@aea.com.ar
www.aea.com.ar

Brazil

Grupo C+ Tecnologia
Rua dos Caetés
601 - Perdizes
BR - São Paulo – SP
CEP-05016-081
Tel.: +55/11-2168 6554
Fax: +55/11-2168 6555
info@ctecnologia.com.br
www.ctecnologia.com.br

Denmark

TR-Electronic Danmark ApS
Hustedgårdvej 22
DK-8722 Hedensted
Tel.: +45/75 89 06 03
Fax: +45/75 89 06 36
cbj@tr-electronic.dk
www.tr-electronic.dk

India

Global-Tech (India) Pvt Ltd
404 White House
1482 Sadashiv Peth
IND-Tilak Road, Pune - 411 030
Tel.: +91/20- 2447 00 85
Fax: +91/20- 2447 00 86
info@globaltechindia.com
www.globaltechindia.com

Australia

Sensor Measurement Pty Ltd.
Unit 8/26 Shields Crescent
P.O. Box 1079
AU-Booragoon
Western Australia 6154
Tel.: +61/8-93 17 25 52
Fax: +61/8-93 17 24 52
sales
@sensormeasurement.com.au
www.sensormeasurement.com.au

Canada

TR Electronic
P.O. Box 2543, Station B
CDN-London, Ontario Canada
N6A 4G9
Tel.: +1/519-452 1999
Fax: +1/519-452 1177
customercare@trelectronic.com
www.trelectronic.com

Finland

Sarlin Oy Ab
P.O. Box 750
FI-00101 Helsinki
Tel.: +358/10 - 550 4000
Fax: +358/10 - 550 4201
info@sarlin.com
www.sarlin.com

Israel

Dor Engineering
P.O.Box 6
ISR-4880500 Kibutz Einat
Tel.: +972/3 9007595
Fax: +972/3 9007599
info@doreng.co.il
www.doreng.co.il

Austria

TR-Electronic GmbH
Tragösserstraße 117
A-8600 Bruck/Mur
Tel.: +43/3862-55006 0
Fax: +43/3862-55006 33
info@tr-electronic.at
www.tr-electronic.at

China

TR-Electronic (Beijing) CO., LTD.
Rm. 1302, Side A, Lucky Tower
No. 3 Dongsanhuan North Road
Chaoyang District
CN-100027 Beijing, P.R. China
Tel.: +86/10 - 646 131 96
Fax: +86/10 - 646 135 51
lu.yu@tr-electronic.de
www.tr-electronic.com.cn

France

TR-Electronic France SARL
1 Av. Christian Doppler
Bâtiment 2
F-77700 Serris
Tel.: +33/1-64 63 68 68
Fax: +33/1-61 10 17 66
info@tr-electronic.fr
www.tr-electronic.fr

Italy

Telestar S.r.l.
Via Novara, 35
I-28010 Vaprio D'Agogna (NO)
Tel.: +39/03-21 966 768
Fax: +39/03-21 996 281
telestar@telestar-automation.it
www.telestar-automation.it

Belgium

Martek SPRL - BVBA
Avenue René Comhaire 82
BE-1082 Bruxelles
Tel.: +32/24 67 00 40
Fax: +32/24 67 00 49
info@martek.be
www.martek.be

Czech Republic, Slovakia

DEL a.s.
Strojírenská 38
CZ-59101 Žďár nad Sázavou
Tel.: +420/566 657 100
Fax: +420/566 621 657
zastoupeni.tr@del.cz
www.del.cz

Great Britain

TR-Electronic Limited
4 William House, Old St.
Michaels Drive, Braintree
GB-Essex CM7 2AA
Tel.: +44/1 371-876 187
Fax: +44/1 371-876 287
info@tr-electronic.co.uk
www.tr-electronic.co.uk

Japan

SANTEST CO. LTD.
1-60 Tsuneyoshi, 1-Chome
Konohanaku
J-Osaka 554-8691
Tel.: +81/6-6465 5561
Fax: +81/6-6465 5921
info@santest.co.jp
www.santest.co.jp

Mexico

TR Electronic
P.O. Box 2543, Station B
CDN-London, Ontario Canada
N6A 4G9
Tel.: +1/519-452 1999
Fax: +1/519-452 1177
customer@trelectronic.com
www.trelectronic.com

Russia

Sensotek LLC
Bolshoy Ovchinnikovskiy. per.16,
off. 508
RU-115184 Moscow
Tel.: +7/495-797-12-54
Fax: +7/495-797-12-24
info@sensotek.ru
www.sensotek.ru

Sweden

TR Electronic Sweden AB
Djupdalsvägen 10
S-192 51 Sollentuna
Tel.: +46/8-756 72 20
Fax: +46/8-756 76 80
mailbox@trelectronic.se
www.trelectronic.se

USA (TR-Electronic)

TR Electronic
P.O. Box 4448
US-Troy, MI 48099
Tel.: +1/248-244-2280
Fax: +1/248-244-2283
customer@trelectronic.com
www.trelectronic.com

Netherlands

TR-Electronic Nederland BV
Postbus 1682
NL-6201 BR Maastricht
Tel.: +31/43 352 3614
Fax: +31/43 352 3555
info@tr-electronic.nl
www.tr-electronic.nl

Singapore

Globaltec Electronics
(Far East) Pte. Ltd.
50 Bukit Batok Street 23
#06-27 Midview Building
SIN-659578 Singapore
Tel.: +65/6267 9188
Fax: +65/6267 8011
info@globaltec.com.sg
www.globaltec.com.sg

Switzerland

TR-Electronic SA
14, Ch. Pré-Fleuri
CH-1228 Plan-les-Ouates/Genève
Tel.: +41/22-7 94 21 50
Fax: +41/22-7 94 21 71
info@tr-electronic.ch
www.tr-electronic.ch

USA (TRsystems)

TRS Fieldbus Systems, Inc.
666 Baldwin Court
US-Birmingham, MI 48009
Tel.: +1/586 826-9696
Fax: +1/586 826-9697
support@trs-fieldbus.com
www.tr-fieldbus.com
trthailand@trelectronic.co.th
www.trelectronic.co.th

Norway

TR Electronic Norway AS
Fusdal Terrasse 3
N-1387 Asker
Tel.: +46 708 696 533
Fax: +46 875 676 80
info@trelectronic.no
www.trelectronic.no

Slovenia

S.M.M. d.o.o.
Jaskova 18
SI-2001 Maribor
Tel.: +386/2450 2300
Fax: +386/2450 2302
smm@siol.net
www.smm.si

Taiwan

TR-Electronic (Beijing) CO., LTD.
Rm. 1302, Side A, Lucky Tower
No. 3 Dongsanhuan North Road
Chaoyang District
CN-100027 Beijing, P.R. China
Tel.: +86/10 - 646 131 96
Fax: +86/10 - 646 135 51
lu.yu@tr-electronic.de
www.tr-electronic.com.cn

Poland

Stoltronic-Polska Sp. z o.o.
ul. Dabrowskiego 238C
PL - 93-231 Lodz
Tel.: +48/42-649 12 15
Fax: +48/42-649 11 08
stoltronic@stoltronic.pl
www.stoltronic.pl

South Africa

Angstrom Engineering (Pty) Ltd.
19 Tom Muller Road
P.O. Box 793
SA-Meyerton 1960
Tel.: +27/16 3620300
Fax: +27/16 3620725
info@angstromeng.co.za
www.angstromeng.co.za

Thailand

T+R Electronic (Thailand) Co., Ltd.
120/62 Moo 8 Bang Sare
TH - Sattahip, Chonburi 20250
Tel.: +66/38 737 487
Fax: +66/38 737 171
trthailand@trelectronic.co.th
www.trelectronic.co.th

Republic of Korea

MS Intech Co., Ltd.
B-306, Gasan Digital 1 Ro 119
Keumcheon-Gu
KOR-Seoul
Tel.: +82/2-334 0577
Fax: +82/2-862 1591
sales@msintech.com
www.msintech.com

Spain, Portugal

Intertronic Internacional, SL
C/Johannes Gutenberg, 4 y 6
P.I. Parque Tecnológico
E-46980 Valencia
Tel.: +34/96-375 8050
Fax: +34/96-375 1022
info@intertronic.es
www.intertronic.es

Turkey

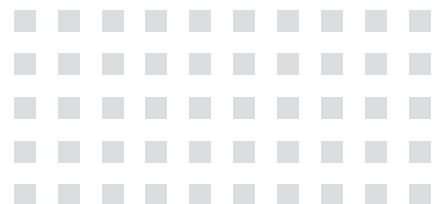
ÜNİVERSA İÇ ve DIŞ TİC.
MAK. SAN. LTD. ŞTİ.
Cemal Gürsel Caddesi
No: 11 D: 7
TR-35600 Karsiyaka-İZMİR
Tel.: +90/232 382 23 14
Fax: +90/232 382 23 24
info@universa.com.tr
www.universa.com.tr

TR-Electronic GmbH

Eglishalde 6
D - 78647 Trossingen

Tel. +49 7425 228-0
Fax +49 7425 228-33

info@tr-electronic.de
www.tr-electronic.de



Last update: March 2015

68-105-107 · TR-V-PR-GB-0012-01

Subject to technology and design modifications.

Cover photo background: ©kras99-fotolia.com