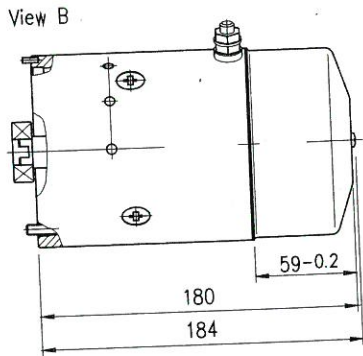


NOTE: 11.212.383 only with wholes pos. 1



code	type	Rated voltage (V)	Nominal power (kW)	Nr. of revolution (RPM)	operation	view	rotation	Mass (kg)	Connection diagram	characteristic
12V										
11.212.383	AMJ4628 12V 1.5kW	12	1.5	2500	S2 - 1 min S3 - 5% ED	A	↔	6.7	2	6
11.212.108	AMJ5667 12V 2.1kW	12	2.1	2000	S2 - 1 min S3 - 5% ED	B	←	7	1	5
24V										
11.212.106	AMJ4603 24V 1.9 kW	24	1.9	4300	S2 - 4 min S3 - 10% ED	B	←	7	3	7
11.212.169	AMJ5690 24V 2.1kW	24	2.1	2200	S2 - 4 min S3 - 10% ED	B	←	7	4	8

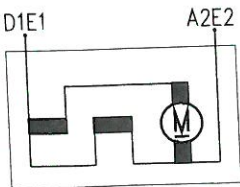


fig.1

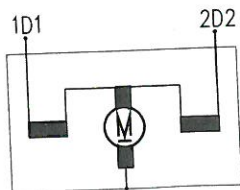


fig.2

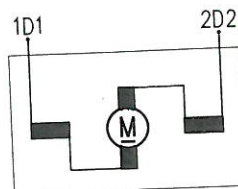


fig.3

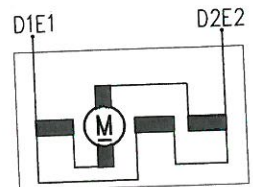



fig.4

1  Add to Cart

 Add to Favorites

 Compare

 Feedback

 Sales partner (<http://www.mahle-aftermarket.com/eu/en/services/sales-partner/>)

Material no. 

Material no. (MAHLE)	72736322
Trade Number (MAHLE)	11212108
	IM0159
	AMJ5667 12V 2,1kW

Measures 

Voltage (V)	12	Weight [kg]	6.98
Power (kW)	2.1	Service Speed [1/min]	1700
Motor Type	DC motor	Rotation Direction	Anticlock-wise rotation
Operating time to [min]	1.0	Flange Type	transportation
Operation S2 (OP)	S2=1 min	Protection Type (IP Code)	IP54
Operation S3 (OP)	S3=5 %ED	Family Code	AMJ
isolated ground	IG		



α



MAHLE[®]