



SOUTHERN CALIFORNIA HYDRAULIC ENGINEERING CORPORATION

Designer and Manufacturer of Hydraulic & Pneumatic Equipment

1130 COLUMBIA STREET, BREA, CALIFORNIA 92821
TEL. (714) 257-4800 FAX. (714) 257-4810 WWW.SCHYDRAULIC.COM

DATE: 3/13/2019
REV: N/C

NON-LUBE PUMP ASSEMBLY 10-500EW080 THRU W250

LUBE PUMP ASSEMBLY 10-500EW080 THRU W250

(NOTES: P/N 10-500EW080 THRU W250 WAS D500EB140 THRU B440)

AIR MOTOR ASSEMBLY
11-5113ADL0 FOR NON-LUBE PUMP
11-5113A000 FOR LUBE PUMP

AIR INLET
1/2" NPTF

AIR EXHAUST
3/4" NPTF

RETAINING RING
12-R200S000 (REF)

HYDRAULIC ASSEMBLY
11-5042W080A
11-5042W100A
11-5042W160A
11-5042W250A

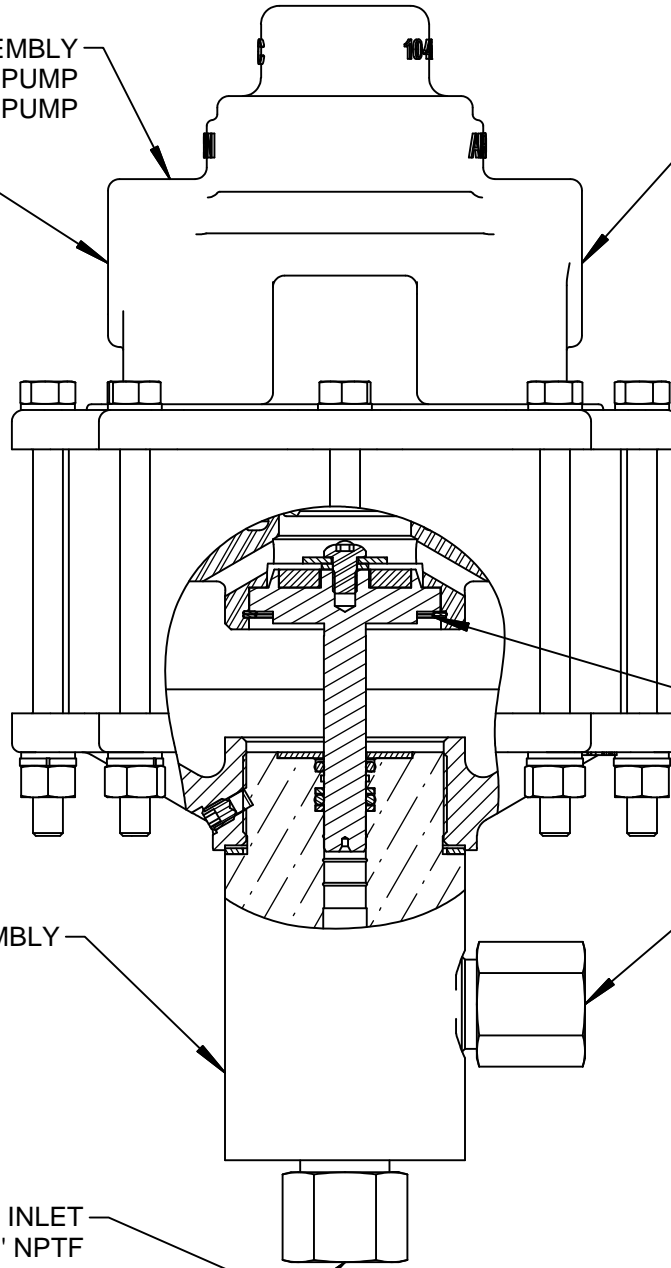
LIQUID OUTLET
3/8" NPTF

LIQUID INLET
3/8" NPTF

5/16-18 UNC - 2B ∇ .50

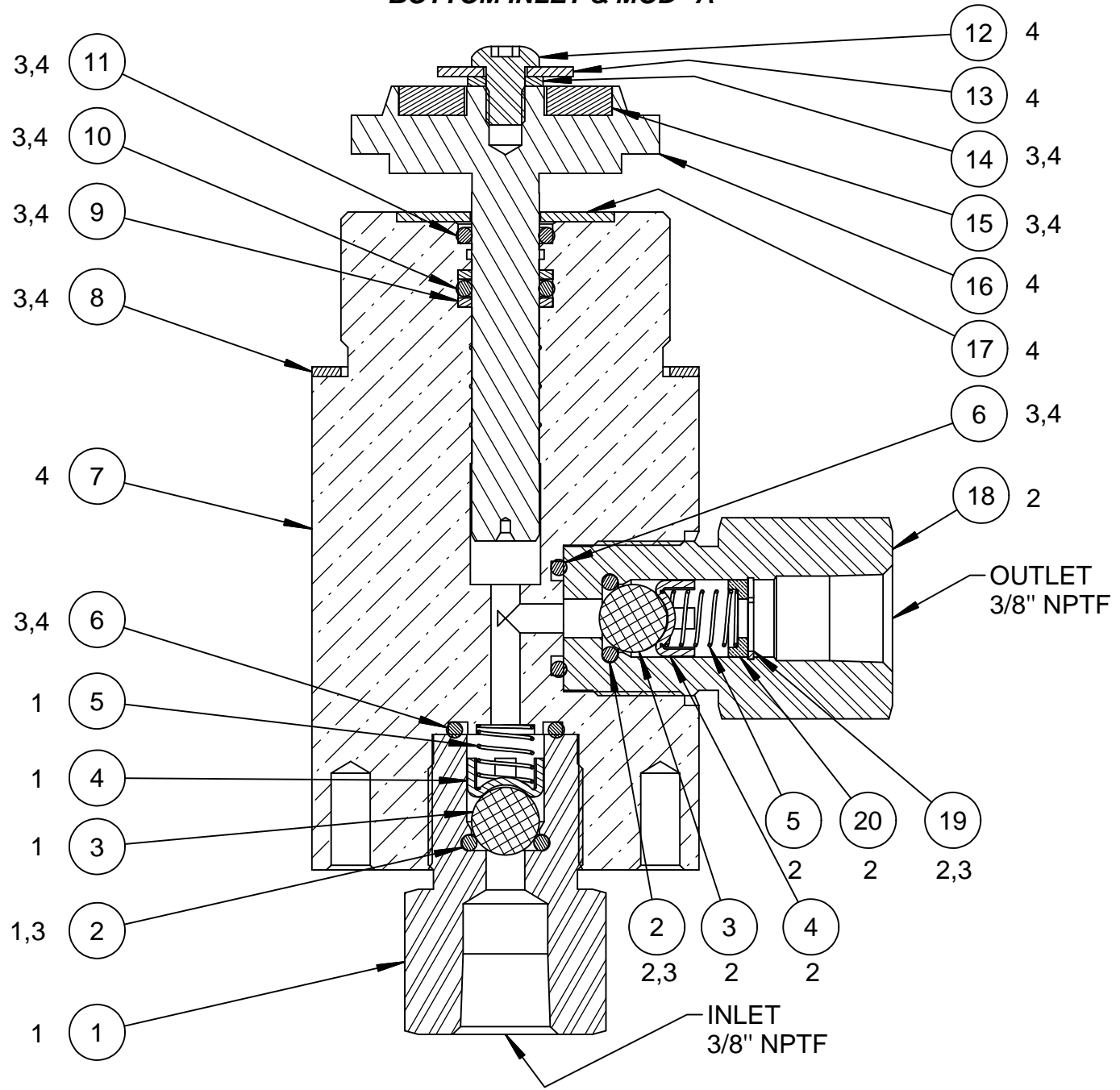
2.00

MOUNTING DIMENSIONS





HYDRAULIC ASSEMBLY 11-5042W080A THRU W250
BOTTOM INLET & MOD "A"



- 4. INCLUDED IN 11-5041WXXXXA* PISTON & CYLINDER ASSEMBLY.
- 3. INCLUDED IN 11-5148NXXXXA* HYDRAULIC REPAIR KIT.
- 2. INCLUDED IN 11-5030S000 OUTLET CHECK VALVE ASSEMBLY.
- 1. INCLUDED IN 11-5029S000 INLET CHECK VALVE ASSY.

*XXX: REPRESENTS PUMP ASSY MODEL NO.

NOTES: UNLESS OTHERWISE SPECIFIED:



SOUTHERN CALIFORNIA HYDRAULIC ENGINEERING CORPORATION

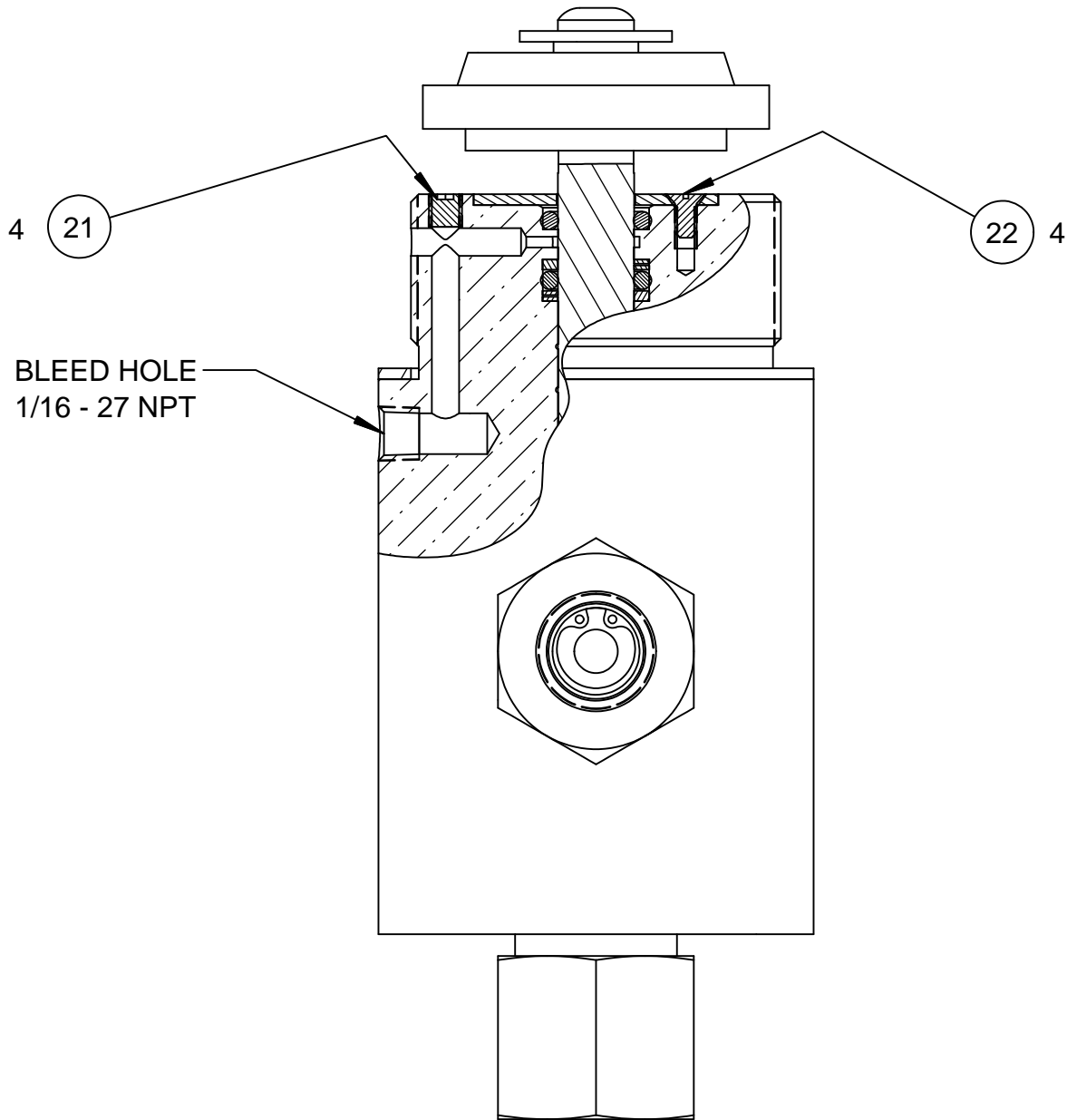
Designer and Manufacturer of Hydraulic & Pneumatic Equipment

1130 COLUMBIA STREET, BREA, CA 92821

DATE: 3/13/2019

REV: N/C

HYDRAULIC ASSEMBLY 11-5042W080A THRU W250
BOTTOM INLET & MOD "A"



4. INCLUDED IN 11-5041WXXXA* PISTON & CYLINDER ASSEMBLY.

3. INCLUDED IN 11-5148NXXXA* HYDRAULIC REPAIR KIT.

2. INCLUDED IN 11-5030S000 OUTLET CHECK VALVE ASSEMBLY.

1. INCLUDED IN 11-5029S000 INLET CHECK VALVE ASSY.

***XXX**: REPRESENTS PUMP ASSY
MODEL NO.

NOTES: UNLESS OTHERWISE SPECIFIED:



SOUTHERN CALIFORNIA HYDRAULIC ENGINEERING CORPORATION

Designer and Manufacturer of Hydraulic & Pneumatic Equipment

1130 COLUMBIA STREET, BREA, CA 92821

BILL OF MATERIALS

DRAWING NUMBER & DESCRIPTION: 10-450-42; 11-5042W080A_W250A , BOTTOM INLET & MOD "A"
REVISION: N/C, 3/13/2019

ITEM	QTY	PART NUMBER	DESCRIPTION	W080	W100	W160	W250
1	1	11-5021S000	SEAT-INLET	X	X	X	X
2	2	P11003-110	O-RING, BUNA	X	X	X	X
3	2	12-0440S437	BALL-CHECK	X	X	X	X
4	2	11-5034S001	GUIDE-BALL	X	X	X	X
5	2	11-5014S000	SPRING	X	X	X	X
6	2	P11000-113	O-RING, BUNA	X	X	X	X
7	1	11-5036B080A	CYLINDER-HYDRAULIC, BTTM INLET (140:1)	X			
7	1	11-5036B100A	CYLINDER-HYDRAULIC, BTTM INLET (195:1)		X		
7	1	11-5036B160A	CYLINDER-HYDRAULIC, BTTM INLET (280:1)			X	
7	1	11-5036B250A	CYLINDER-HYDRAULIC, BTTM INLET (440:1)				X
8	1	11-5028N000	GASKET, BUNA	X	X	X	X
9	2	P11227-010	BACK UP (440:1)				X
9	2	P11227-011	BACK UP (280:1)			X	
9	2	P11227-110	BACK UP (195:1)		X		
9	2	P11227-111	BACK UP (140:1)	X			
10	1	P11000-010	O-RING, BUNA (440:1)				X
10	1	P11000-011	O-RING, BUNA (280:1)			X	
10	1	P11000-110	O-RING, BUNA (195:1)		X		
10	1	P11000-111	O-RING, BUNA (140:1)	X			
11	1	P11015-010	O-RING, TEFLON (440:1)				X
11	1	P11015-011	O-RING, TEFLON (280:1)			X	
11	1	P11015-110	O-RING, TEFLON (195:1)		X		
11	1	P11015-111	O-RING, TEFLON (140:1)	X			
12	1	12-25F37SBC45Z	SCREW, BUTTON HEAD CAP	X	X	X	X
13	1	12-25N87WF1Z	WASHER-FENDER	X	X	X	X
14	1	P10212-025	WASHER-LOCK	X	X	X	X
15	1	11-5051P000	BUMPER-PISTON	X	X	X	X
16	1	11-5010S080	PISTON-HYDRAULIC (140:1)	X			
16	1	11-5010S100	PISTON-HYDRAULIC (195:1)		X		
16	1	11-5010S160	PISTON-HYDRAULIC (280:1)			X	
16	1	11-5010S250	PISTON-HYDRAULIC (440:1)				X
17	1	11-5040X080	PLATE	X	X	X	X
18	1	11-5022S000	SEAT-OUTLET	X	X	X	X
19	1	P10202-050	RING-RETAINING	X	X	X	X
20	1	11-5018S000	GUIDE-SPRING	X	X	X	X
21	1	P10226-019	SCREW-SET	X	X	X	X
22	3	P10266-025	SCREW, FLAT HEAD	X	X	X	X

WHERE USED: 10-500EW080_W250, 10-500EW080L_W250L.