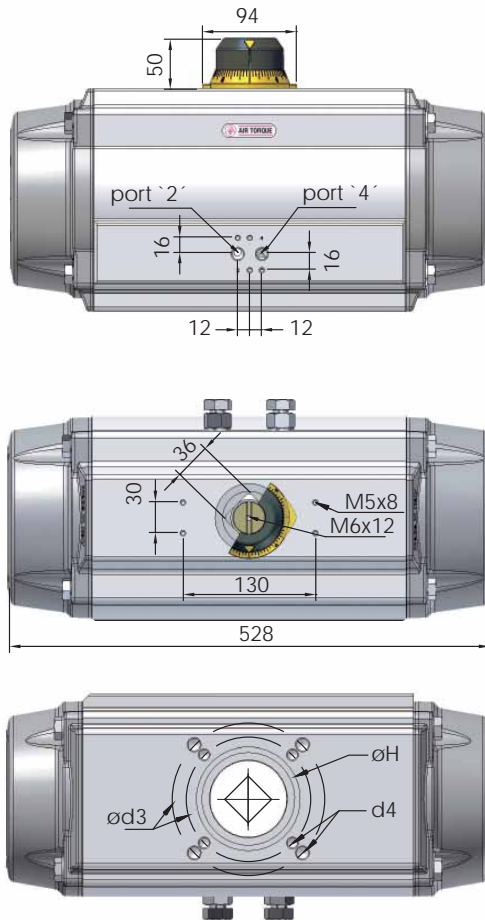




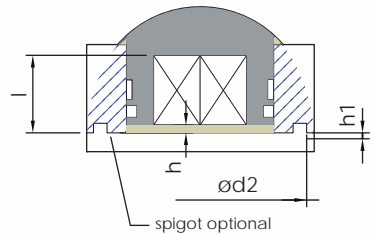
Dimensions in mm



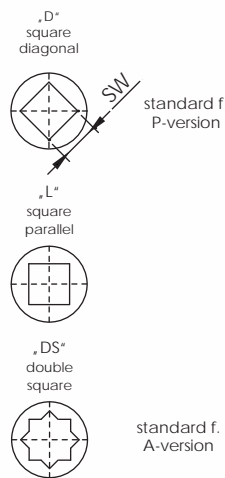
ISO 5211 - available flanges

ISO 5211	Standard		optional	
	F14	F10* + F12*		
Ø d2	100	-	85	
Ø d3	140	102	125	
d4	M16 x 24	M10 x 15	M12 x 18	
Ø H	100	85		
SW x l min.	D	-	22 x 40 - 36 x 40	
	DS	36 x 40	27 x 40 - 36 x 40	
h min.	2	2	2	
h1	3	-	1,5	

*before selecting the flange connection please consider the indications of standard n° 5211 on page 0911 of our manual for op. and maintenance



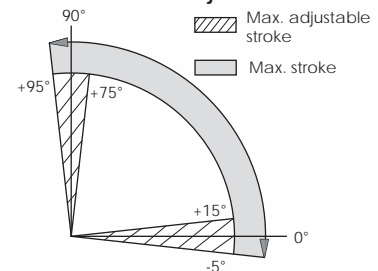
optional squares



Connection / Attachment

Pressure connection port 2 and 4	G1/4"
Ancillaries attachment	AA 4

Rotation and stroke adjustment



Pressure	Output torque for double acting and spring return in Nm												Spring torque		approx. weight in kg										
	2,5 bar		3 bar		3,5 bar		4 bar		4,2 bar		4,5 bar		5 bar			5,5 bar		6 bar		7 bar		8 bar		90°	0°
	0°	90°	0°	90°	0°	90°	0°	90°	0°	90°	0°	90°	0°	90°		0°	90°	0°	90°	0°	90°	0°	90°	0°	90°
DR	532	638	745	851	893	957	1064	1170	1276	1489	1702	-	-	34,3											

SC 2/3	319	217	426	323	532	430	638	536	681	578	745	642	851	749								315	213	38,2			
SC 3	277	154	383	260	489	367	596	473	638	515	702	579	808	686	915	792							378	255	39		
SC 3/4			341	197	447	304	553	410	596	453	660	516	766	623	872	729	979	835					441	298	39,7		
SC 4					404	241	511	347	553	390	617	453	723	560	830	666	936	772	1149	985			504	340	40,5		
SC 4/5							468	284	511	327			575	390	681	497	787	603	894	709	1106	922	1319	1135	567	383	41,3
SC 5											532	327	638	434	745	540	851	646	1064	859	1277	1072	630	425	42		
SC 5/6													596	371	702	477	809	583	1021	796	1234	1009	693	468	42,8		
SC 6															660	414	766	520	979	733	1192	946	756	510	43,6		

Pressure max.	Rotation (STD) (C)	Screw stroke adjustment	Chamber Ø (mm)	Air volume (L)		Moving time (sec.) (A)			
				OPEN	CLOSE	OPEN	CLOSE	OPEN	CLOSE
8 bar	0° - 90°	for 1° 1/4 rotation	200	5,94	9,46	D 2,7	D 3,2	S 3,5	S 4,0

Operating temperature (°C) (B)		
ST (Standard)	HT (High temperature)	LLT (Extreme low temperature)
- 40 to + 80	- 15 to + 150	- 55 to + 80

(A) the above indicated moving time of the actuator is obtained under the following test conditions: (1) room temperature, (2) actuator stroke 90°, (3) solenoid valve with Ø 4 mm and flow capacity Qn 6000 L/min., (4) inside pipe Ø 11 mm, (5) medium clean air, (6) air supply pressure 5,5 bar (79,75 Psi), (7) actuator without external resistance load. **Caution:** It has to be expected, e.g. for field applications, when one or more of the above parameters are different, the moving time will be different.

(B) Every temperature range option requires proper components and lubricant. Please contact Air Torque GmbH.

Operating Medium:

The operating medium must be free of dust and oil. The maximum particle size must not exceed 30µ. (ISO 8573 Part1, Class5). In order to prevent water condensation and/or solidification (ice when actuator works below 0°C), the operating medium must have a dew point equal to -20°C or at least 10°C below the ambient temperature (ISO 8573 Part1, Class3)