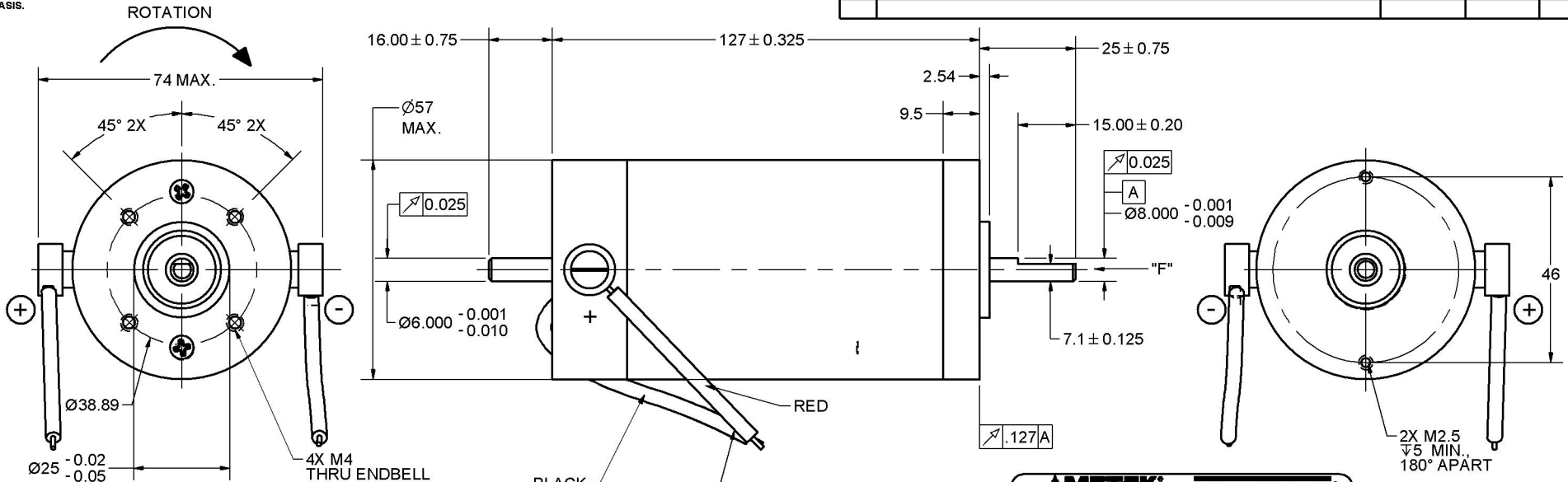


NOTICE: CONFIDENTIAL PROPRIETARY INFORMATION. THIS PRINT CONTAINS IDEAS, INFORMATION, AND INTELLECTUAL PROPERTY WHICH ARE THE EXCLUSIVE PROPERTY OF PITTMAN, DIVISION OF AMETEK TECHNICAL & INDUSTRIAL PRODUCTS. RECIPIENT MUST KEEP THE INFORMATION DISCLOSED HEREIN CONFIDENTIAL AND RECIPIENT IS EXPRESSLY PROHIBITED FROM COPYING OR PUBLICATION OF THIS PRINT EXCEPT TO OTHERS IN THEIR ORGANIZATION ON A NEED TO KNOW BASIS.

LTR	DESCRIPTION	DRFT/ENG	DATE	APP
A	PRODUCTION RELEASE	TMG/TMG	8/7/09	JRM



MOTOR PARAMETERS @ 25°C		
OPERATING SPECIFICATIONS		
CONTINUOUS TORQUE	Nm	0.36
PEAK STALL TORQUE	Nm	2.5
CONTINUOUS CURRENT	A	3.3
MAXIMUM PULSE CURRENT	A	24
MAXIMUM TERMINAL VOLTAGE	V	60
MAXIMUM SPEED	RPM	5200
MECHANICAL DATA		
ROTOR MOMENT OF INERTIA	Kg m ²	4.3*10 ⁻⁵
MECHANICAL TIME CONSTANT	ms	8.2
MOTOR MASS	Kg	1.4
THERMAL IMPEDANCE WHEN MOUNTED ON A 254 X 254 X 6.35 HEATSINK	°C/W	4.2
MAXIMUM ARMATURE TEMP.	°C	155
WINDING SPECIFICATIONS		
TORQUE CONSTANT K _t	Nm/A	0.105 ±10%
VOLTAGE CONSTANT K _e (BACK EMF)	V/KRPM	11 ±10%
ARMATURE RESISTANCE R _a	OHMS	1.6
TERMINAL RESISTANCE R _t	OHMS	2 ±10%
ARMATURE INDUCTANCE L	mH	5.2
ELECTRICAL TIME CONSTANT T _e	ms	2.6
ENDPLAY @10 Kg IN DIRECTION "F"	mm	0.1 MAX

20AWG 600V 105°C
PER UL 1015, 550 LENGTH

- NOTES:
1. HI-POT: 750VAC/1S, 3mA.
 2. ROTATION IS CLOCKWISE VIEWED FROM NON BRUSH END WITH POSITIVE (+) VOLTAGE APPLIED TO RED LEAD.
 3. MOTORS TO BE PACKAGED USING SUPPLIER STANDARD MATERIALS AND METHODS WHICH ARE APPROVED BY AMETEK. AMETEK COMPANY LOGOS TO APPEAR ON THE OUTSIDE OF EACH BOX IN ACCORDANCE WITH DRAWING 30-49-19.
 4. PRIOR APPROVAL IS REQUIRED FROM AMETEK FOR ANY DESIGN CHANGES.
 5. UNIT TO BE RoHS COMPLIANT.

CONNECTION CHART	
COLOR	FUNCTION
RED	MOTOR +
BLACK	MOTOR -

AMETEK **PITTMAN**
TECHNICAL & INDUSTRIAL PRODUCTS
www.ametektip.com

MODEL NO. M542	SERIAL NO. 00000X	DATE MM/YY	TYPE A2824
PART NO. M542 1100 0806 05MPU	CUSTOMER PART NO.		

NOTICE: ALTERATIONS OR DISASSEMBLY VOID ALL WARRANTIES. MADE IN CHINA

UNLESS OTHERWISE SPECIFIED DIMENSIONS ARE IN (MM) TOLERANCES ARE: DECIMAL X .25 XX 1.12	DRAFTER	DATE
	TMG	8/7/2009
ANGLES 1:1	ENGINEER	DATE
	TMG	8/7/2009
APPROVED	DATE	
	JR MELA	8/7/2009
MATERIAL		
FINISH		
FILE		

AMETEK **PITTMAN**
TECHNICAL & INDUSTRIAL PRODUCTS
www.ametektip.com Harleysville, PA U.S.A.
www.pitmanet.com

TITLE

MB057DG381
M542 1100 0806 05MPU

SIZE	DWG NO	REV
B	A2824-1	A

SHEET 1 OF 1