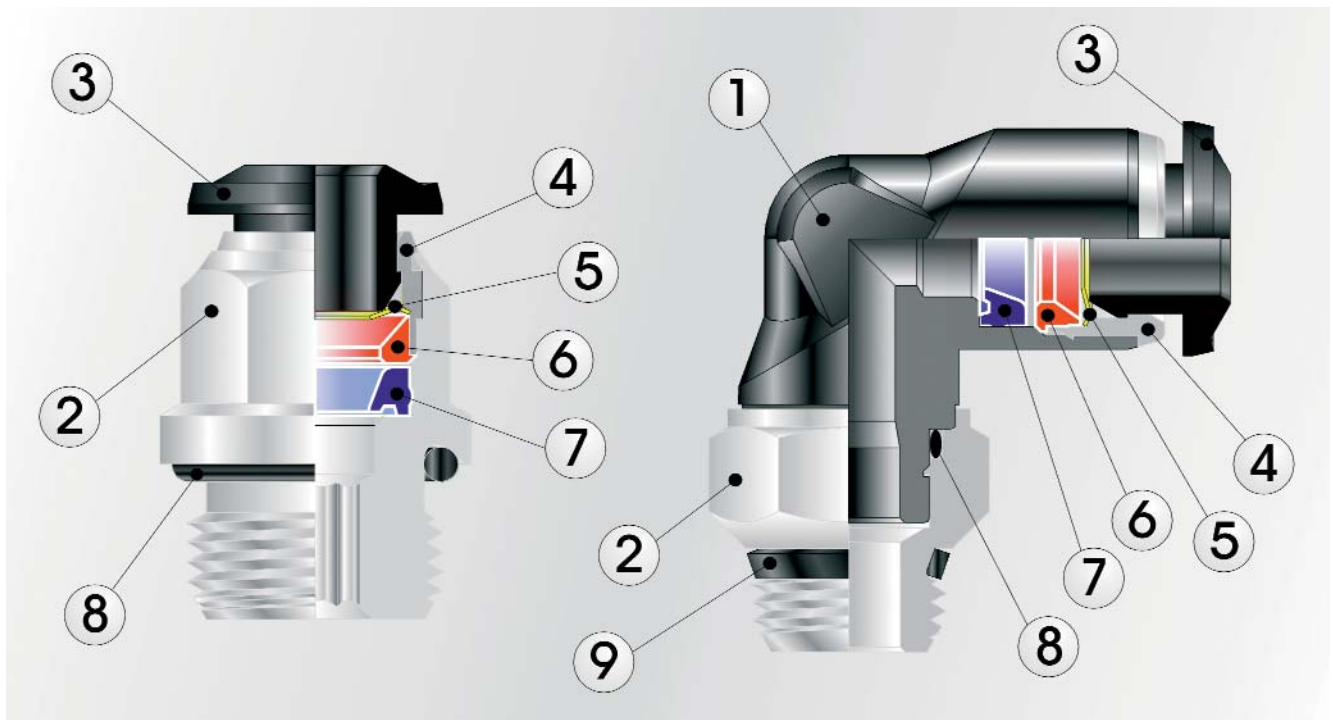




Serie/Series **55000**



**RACCORDI AD INNESTO AUTOMATICO  
IN TECNOPOLIMERO**  
*TECHNOPOLYMERIC PUSH-IN FITTINGS*

*Caratteristiche Tecniche | Technical Characteristics*

*Materiali e Componenti | Component Parts and Materials*

- 1 Corpo in tecnopolimero
- 2 Corpo in ottone nichelato
- 3 Spintore sgancio tubo resina acetalica ISOFORM
- 4 Capsula ottone nichelato
- 5 Pinza d'aggraffaggio in acciaio inox aisi 304
- 6 Anello di sicurezza in tecnopolimero
- 7 Guarnizione a labbro in NBR 70
- 8 O-ring in NBR 70
- 9 Guarnizione filetto in NBR 90

- 1 Technopolymeric Body
- 2 Nickel-plated brass Body
- 3 Acetalic resin Collet ISOFORM
- 4 Nickel-plated brass Capsule
- 5 Steel aisi 304 Clamping washer
- 6 Technopolymeric Safety ring
- 7 NBR 70 Lip seal
- 8 NBR 70 O-ring
- 9 NBR 90 Thread packing

*Pressioni | Pressures*

Pressione minima / Minimum pressure: **-0.99 bar** (-0.099 MPa)  
 Pressione massima / Maximum pressure: **15 bar** (1.5 MPa)

*Temperature | Temperatures*

Temperatura minima / Minimum temperature: **-20 °C**  
 Temperatura massima / Maximum temperature: **+80 °C**

*Filettature | Threads*

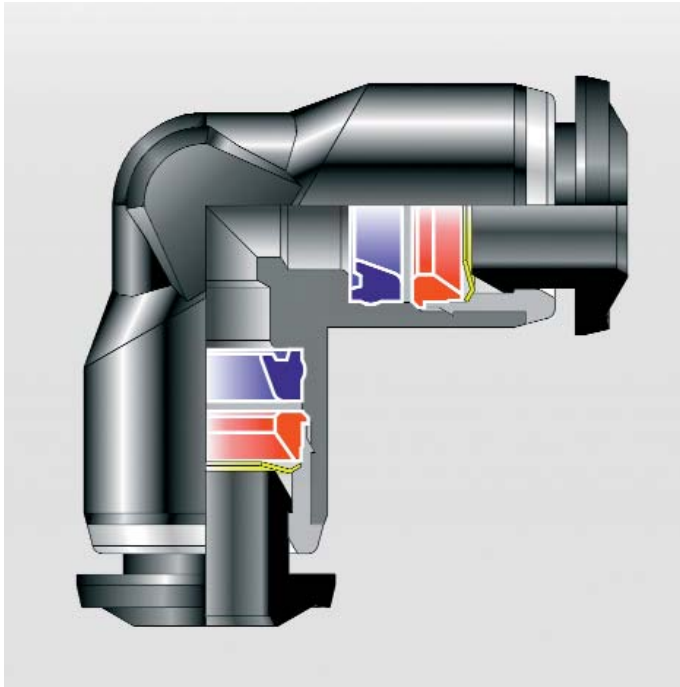
Filettatura conica "short" / "Short" taper thread.  
 Gas cilindrica conforme ISO 228 Classe A / Parallel gas in conformity with ISO 228 Class A.  
 Metrica conforme ISO R/262 / Metric in conformity with ISO R/262.

*Tubi di collegamento | Connection Tubes*

Tubi in materiale plastico:  
 PA6, PA11, PA12, Polietilene, \*Poliuretano; ecc.  
 \*Per tubi in Poliuretano é consigliata una durezza di 98 shore.  
 Plastic tubes:  
 PA6, PA11, PA12, Polyethylene, \*Polyurethane, ecc.  
 \*For Polyurethane hoses it is required a minimum hardness of 98 shore.

*Fluidi compatibili | Fluids*

Aria compressa / Compressed air.  
 Vuoto / Vacuum



**La serie 55000 è stata realizzata impiegando materiali innovativi: tecnopolimeri dell'ultima generazione.**

*The 55000 series has been produced using innovative material such as last generation technopolymeric.*

**L'utilizzo di questi materiali ha permesso di ottenere raccordi di elevata leggerezza e sicurezza.**

*Thanks to the use of these new materials, we've been able to realise very light and safety fittings.*

**L'impiego dei raccordi in tecnopolimero esclude il verificarsi di fenomeni elettrici pericolosi e la formazione di schegge in caso di sovrappressioni grazie alla non conduttività e duttilità di questi materiali**

*The use of technopolymeric fittings ensures to avoid dangerous electrical phenomena and in case of overpressure there won't be any formation of splints. This is thanks to the materials features, they are ductile and not conductive.*

**La pinza in acciaio inox garantisce il perfetto aggraffaggio di tubi di qualsiasi materiale senza danneggiarne la superficie.**

*The collet is made in stainless steel ensure the perfect tube clamping with every kinds of materials without damage the surface.*

**Il collegamento tra tubo e raccordo assicura una tenuta totale anche in condizioni di urti e vibrazioni.**

*The connection between the tube and the fitting ensure a total tightness even in severe conditions such as impact and vibrations.*

**La particolare geometria della guarnizione permette inoltre l'utilizzo dei raccordi anche con il vuoto.**

*The particular geometric shape of the seal ensure the perfect tightness even with vacuum.*



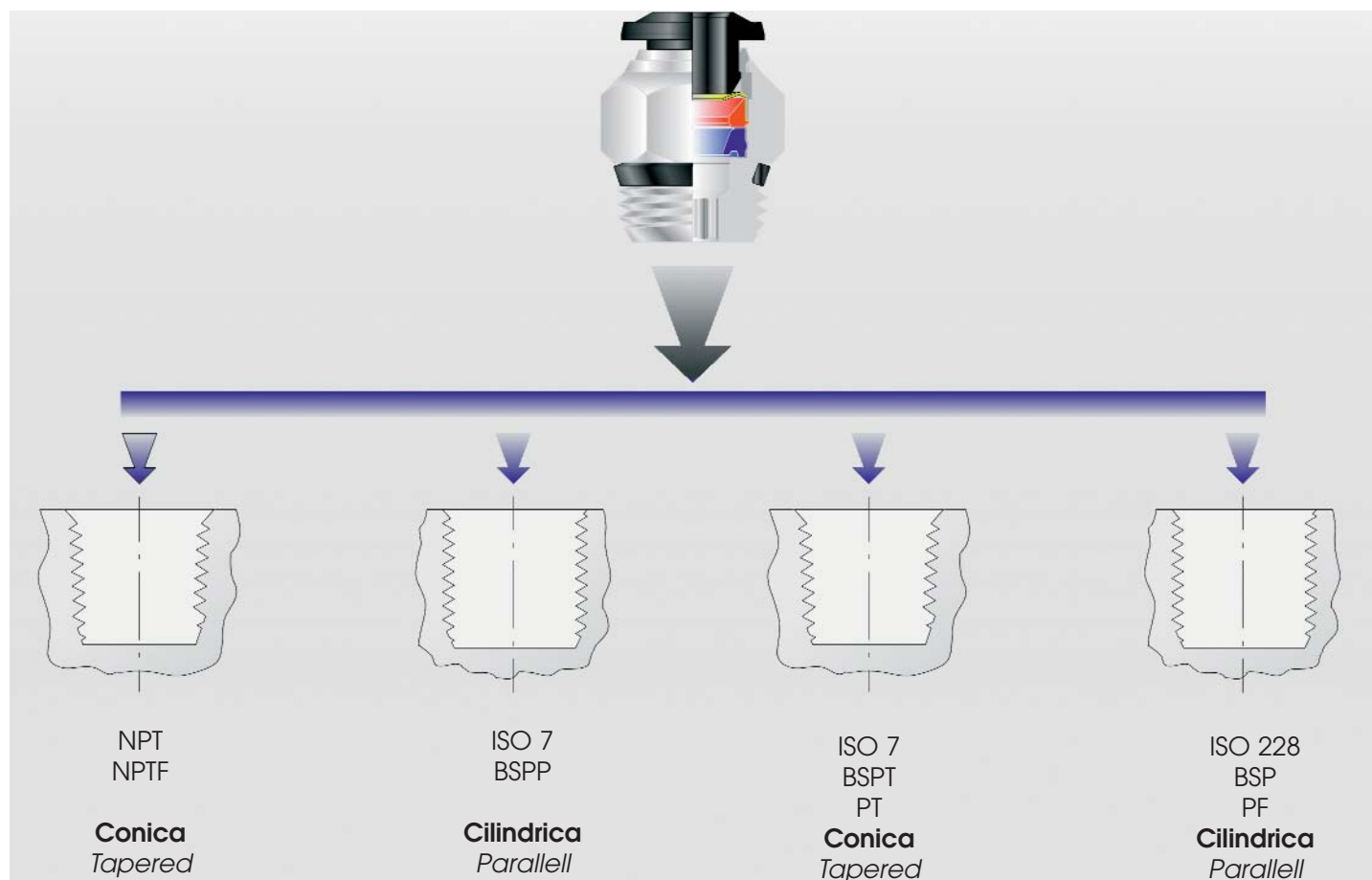
## Caratteristiche Tecniche | Technical Characteristics

La filettatura conica "short" è progettata per soddisfare le seguenti caratteristiche:

- ridurre la lunghezza d'ingombro
- ridurre la chiave rispetto ad alcuni raccordi con filettature cilindriche
- consentire l'accoppiamento con diversi standard di filettature femmina sia coniche che cilindriche

The "short" taper thread has been designed to offer the following advantages to the users:

- reduced overall length;
- smaller hex dimensions compared to the parallel threads;
- to allow the assembly with different female threads both taper as well as parallel;



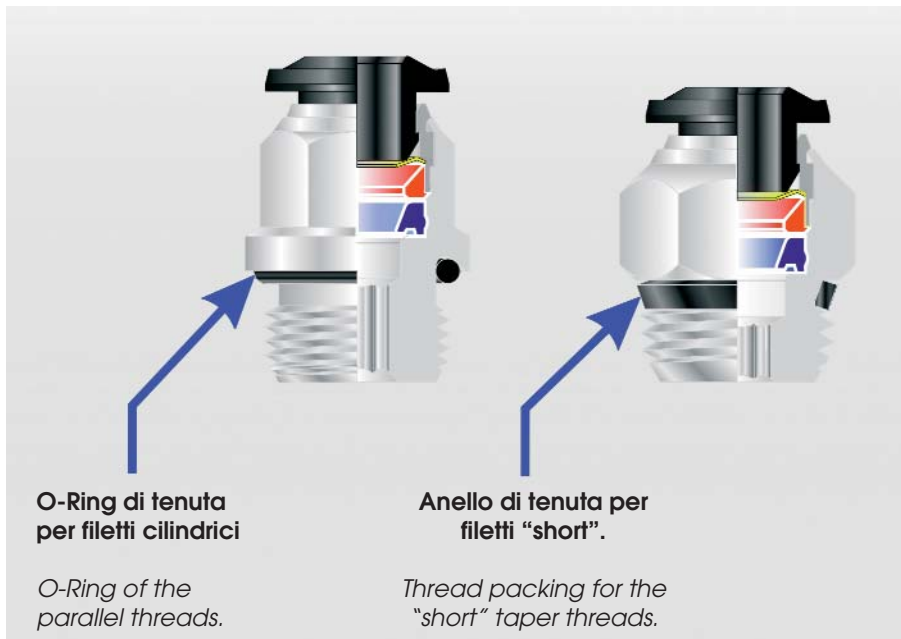
- consentire una completa tenuta anche su superfici non perfettamente piane, concave, convesse o inclinate, con diversi smussi o raggi.

• To ensure the right tightening also with surfaces not perfectly flat, without spot-facing, concave convex and with different kinds of chamfers or radius.



## Coppia di serraggio | Torque specifications

Coppia minima / Minimum torque: 5 Nm  
Coppia maxima / Maximum torque: 7 Nm



Tutte le filettature di questa serie (anche la misura da M5) sono state dotate di elementi di tenuta che permettono l'immediato utilizzo dei raccordi riducendo notevolmente i tempi di installazione.

*All of threads from this range (also the M5), have been equipped with tightening parts which allow the direct assembly of the fittings, reducing the installation time.*

Tutti i raccordi dritti, con filettature "short" o cilindriche, possono essere montati anche con chiave esagonale ed è possibile utilizzarli anche in spazi molto ridotti.

*All the straight fittings, with "short" and parallel threads can be assembled also with Allen wrench and it is possible to use them in reduced spaces.*



## COME ORDINARE

Tutti gli articoli standard della Serie 55000 subiscono un trattamento superficiale di NICHELATURA.

Per formulare un ordine é sufficiente specificare ARTICOLO, MISURA, QUANTITA'.

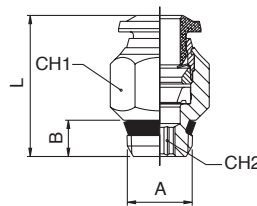
## HOW TO ORDER

All the standard items of the 55000 series undergo to a surface treatment of nickel plating.

To order simply specify the ARTICLE CODE, SIZE and QUANTITY.

# 55000

RACCORDO DIRITTO MASCHIO SHORT - STRAIGHT MALE ADAPTOR (SHORT)



Tube	A	B	L	CH1	CH2	Conf. Pack.
4	1/8	5.5	18	11	3	25
4	1/4	7	19	14	3	25
5	1/8	5.5	20	11	4	25
5	1/4	7	20	14	4	25
6	1/8	5.5	21.5	13	4	25
6	1/4	7	21	14	4	25
6	3/8	7.5	23	17	4	25
6	1/2	9	23.5	21	4	25
8	1/8	5.5	24.5	14	5	25
8	1/4	7	22	14	6	25
8	3/8	7.5	23	17	6	25
8	1/2	9	23.5	21	6	25
10	1/4	7	28	17	7	25
10	3/8	7.5	25.5	17	8	25
10	1/2	9	26	21	8	25
12	1/4	7	31.5	20	7	25
12	3/8	7.5	29.5	20	9	25
12	1/2	9	31.5	21	10	25
14	3/8	7.5	32.5	21	9	10
14	1/2	9	31.5	21	10	10



5 5 0 0 0

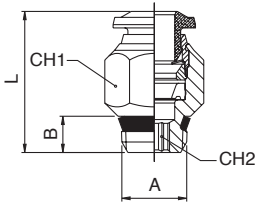
8 - 1/4

CODICE ARTICOLO  
ARTICLE CODE

MISURA  
SIZE

# 55000

RACCORDO DIRITTO MASCHIO SHORT - STRAIGHT MALE ADAPTOR (SHORT)

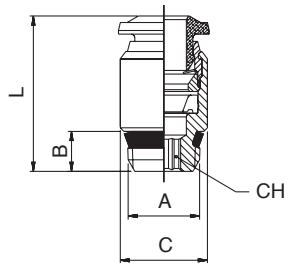


Tubo Tube	A	B	L	CH1	CH2	Conf. Pack.
4	- 1/8	5.5	18	11	3	25
4	- 1/4	7	19	14	3	25
5	- 1/8	5.5	20	11	4	25
5	- 1/4	7	20	14	4	25
6	- 1/8	5.5	21.5	13	4	25
6	- 1/4	7	21	14	4	25
6	- 3/8	7.5	23	17	4	25
6	- 1/2	9	23.5	21	4	25
8	- 1/8	5.5	24.5	14	5	25
8	- 1/4	7	22	14	6	25
8	- 3/8	7.5	23	17	6	25
8	- 1/2	9	23.5	21	6	25
10	- 1/4	7	28	17	7	25
10	- 3/8	7.5	25.5	17	8	25
10	- 1/2	9	26	21	8	25
12	- 1/4	7	31.5	20	7	25
12	- 3/8	7.5	29.5	20	9	25
12	- 1/2	9	31.5	21	10	25
14	- 3/8	7.5	32.5	21	9	10
14	- 1/2	9	31.5	21	10	10



# 55010

RACCORDO DIRITTO MASCHIO SHORT ESAGONO INCASSATO - STRAIGHT MALE ADAPTOR (SHORT) WITH EXAGON EMBEDDED

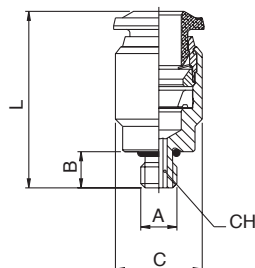


Tubo Tube	A	B	C	L	CH	Conf. Pack.
4	- 1/8	5.5	11	18	3	25
6	- 1/8	5.5	12	21.5	4	25
6	- 1/4	7	14	21	4	25
8	- 1/8	5.5	14	25	5	25
8	- 1/4	7	14	22.5	6	25



# 50010N

RACCORDO DIRITTO MASCHIO CILINDRICO ESAGONO INCASSATO - STRAIGHT MALE ADAPTOR (PARALLEL) WITH EXAGON EMBEDDED

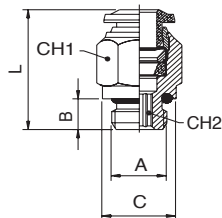


Tubo Tube	A	B	C	L	CH	Conf. Pack.
3	- M5	4	8	19	2.5	25
4	- M5	4	10	21	2.5	25
4	- M7x1	5	10	21	2.5	25
6	- M5	4	12	24.5	2.5	25



# 50020N

RACCORDO DIRITTO MASCHIO CILINDRICO - STRAIGHT MALE ADAPTOR (PARALLEL)

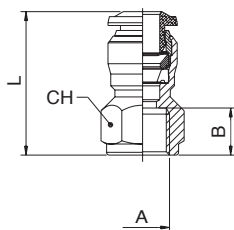


Tubo Tube	A	B	C	L	CH1	CH2	Conf. Pack.
4 - M5	4	8	21	10	2	25	
4 - 1/8	6	13	20	10	3	25	
4 - 1/4	8	16	19.5	16	3	25	
5 - M5	4	8	23.5	12	2	25	
5 - 1/8	6	13	22	12	4	25	
6 - M5	4	10	24.5	13	2	25	
6 - 1/8	6	13	23.5	13	4	25	
6 - 1/4	8	16	23.5	13	4	25	
6 - 3/8	9	20	25	13	4	25	
6 - 1/2	10	25	27	13	4	25	
8 - 1/8	6	13	25	14	5	25	
8 - 1/4	8	16	23	14	6	25	
8 - 3/8	9	20	24	14	6	25	
8 - 1/2	10	25	26.5	14	6	25	
10 - 1/4	8	16	30.5	17	6	25	
10 - 3/8	9	20	27.5	17	8	25	
10 - 1/2	10	25	27	17	8	25	
12 - 1/4	8	16	34.5	20	6	25	
12 - 3/8	9	20	34	20	8	25	
12 - 1/2	10	25	31	22	10	10	
14 - 3/8	9	20	35	21	10	10	
14 - 1/2	10	25	32	22	10	10	
6 - M12x1	8	15	23.5	13	4	25	
6 - M12x1.25	8	15	23.5	13	4	25	
6 - M12x1.5	8	15	23.5	13	4	25	



# 50030N

RACCORDO DIRITTO FEMMINA - STRAIGHT FEMALE ADAPTOR

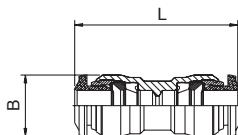


Tubo Tube	A	B	L	CH	Conf. Pack.
4 - M5	5.5	21	11	25	
4 - 1/8	8.5	24	13	25	
4 - 1/4	11	27.5	16	25	
5 - 1/8	8.5	26.5	13	25	
6 - 1/8	8.5	26	13	25	
6 - 1/4	11	29.5	16	25	
8 - 1/8	8.5	27	15	25	
8 - 1/4	11	29.5	17	25	
8 - 3/8	12	32	19	25	
10 - 1/4	11	32	18	25	
10 - 3/8	12	33.5	19	25	
10 - 1/2	15	39	24	25	
12 - 3/8	12	36	21	25	
12 - 1/2	15	41	24	25	



# 55040

RACCORDO DIRITTO INTERMEDIO - STRAIGHT CONNECTOR



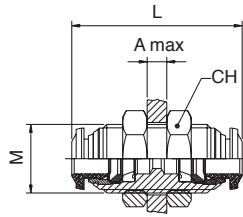
Tubo Tube	L	B	Conf. Pack.
4	31	10	25
5	34	12	25
6	35	12.5	25
6 - 4	34	12.5	25
8	37	14	25
8 - 6	37.5	14	25
10	45	17	25
10 - 8	44	17	25
12	49	20	25
12 - 10	49	20	25
14	48	21	10





# 50050N

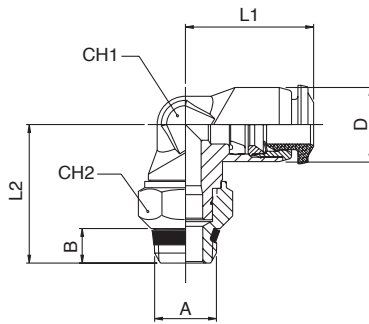
RACCORDO DIRITTO INTERMEDIO DI ATTRAVERSAMENTO - BULKHEAD CONNECTOR



Tubo Tube	M	L	CH	A max	Conf. Pack.
4	- M12x1	31.5	17	7	25
5	- M14x1	33	17	7	25
6	- M14x1	35	17	9.5	25
8	- M16x1	37	19	10.5	25
10	- M20x1	43	24	12.5	25
12	- M22x1	48	26	16.5	25

# 55110

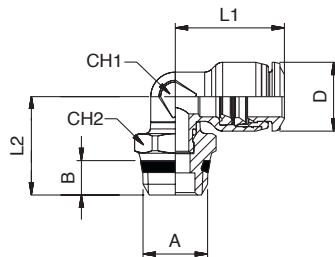
RACCORDO A L ORIENTABILE MASCHIO SHORT - ORIENTING ELBOW MALE ADAPTOR (SHORT)

**FINO AD ESAURIMENTO  
TILL STOCK LASTS**


Tubo Tube	A	B	L1	L2	CH1	CH2	D	Conf. Pack.
4	- 1/8	5.5	16.5	19.5	9	13	10	25
4	- 1/4	7	16.5	23	9	15	10	25
5	- 1/8	5.5	20	22	11	13	12	25
6	- 1/8	5.5	20.5	22	11	13	12	25
6	- 1/4	7	20.5	25	11	15	12	25
6	- 3/8	7.5	20.5	26.5	11	17	12	25
6	- 1/2	9	20.5	28.5	11	21	12	25
8	- 1/8	5.5	22	23	13	13	14	25
8	- 1/4	7	22	26.5	13	15	14	25
8	- 3/8	7.5	22	28	13	17	14	25
8	- 1/2	9	22	29.5	13	21	14	25
10	- 1/4	7	26.5	28.5	16	15	17	25
10	- 3/8	7.5	26.5	29.5	16	17	17	25
10	- 1/2	9	26.5	31	16	21	17	25
12	- 1/4	7	30	32	19	15	21	25
12	- 3/8	7.5	30	33	19	17	21	25
12	- 1/2	9	30	34.5	19	21	21	25
14	- 3/8	7.5	30.5	32.5	20	17	21	10
14	- 1/2	9	30.5	34.5	20	21	21	10

# 55111

RACCORDO A L ORIENTABILE MASCHIO SHORT - ORIENTING ELBOW MALE ADAPTOR (SHORT)

**NEW VERSIONE NUOVA  
COMING NEXT**


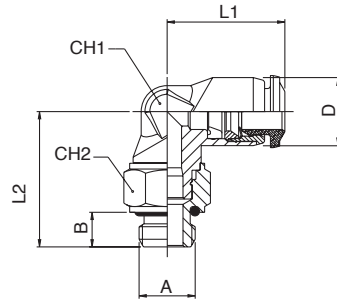
Tubo Tube	A	B	L1	L2	CH1	CH2	D	Conf. Pack.
4	1/8	5.5	16.5	16.5	7	13	10	25
4	1/4	7	16.5	18	7	15	10	25
5	1/8	5.5	20	17.4	9	13	12	25
6	1/8	5.5	20.5	17.4	9	13	12	25
6	1/4	7	20.5	18.9	9	15	12	25
6	3/8	7.5	20.5	20	9	17	12	25
6	1/2	9	20.5	22	9	21	12	25
8	1/8	5.5	22	18.5	10	13	14	25
8	1/4	7	22	20	10	15	14	25
8	3/8	7.5	22	20.5	10	17	14	25
8	1/2	9	22	23	10	21	14	25
10	1/4	7	26.5	21.8	13	16	17	25
10	3/8	7.5	26.5	21.8	13	17	17	25
10	1/2	9	26.5	24.3	13	21	17	25
12	1/4	7	30	23.1	16	16	20	25
12	3/8	7.5	30	23.1	16	17	20	25
12	1/2	9	30	25.6	16	21	20	25
14	3/8	7.5	31	26.5	18	20	21	10
14	1/2	9	31	27	18	21	21	10



# 55115

RACCORDO A L ORIENTABILE MASCHIO CILINDRICO - ORIENTING ELBOW MALE ADAPTOR (PARALLEL)

**FINO AD ESAURIMENTO  
TILL STOCK LASTS**

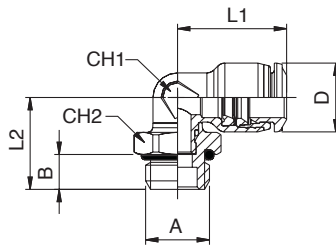


Tube	A	B	L1	L2	CH1	CH2	D	Conf. Pack.
4 - M3x0.5	3	16.5	17	9	8	10	25	
4 - M5	4	16.5	18.5	9	8	10	25	
4 - M7x1	5	16.5	19	9	9	10	25	
4 - 1/8	6	16.5	21	9	13	10	25	
4 - 1/4	8	16.5	25	9	16	10	25	
5 - M5	4	20	21	11	8	12	25	
5 - 1/8	6	20	23.5	11	13	12	25	
6 - M5	4	20.5	21	11	8	12	25	
6 - 1/8	6	20.5	23.5	11	13	12	25	
6 - 1/4	8	20.5	27	11	16	12	25	
6 - 3/8	9	20.5	28.5	11	18	12	25	
6 - 1/2	10	20.5	33	11	22	12	25	
8 - 1/8	6	22	24.5	13	13	14	25	
8 - 1/4	8	22	28.5	13	16	14	25	
8 - 3/8	9	22	29.5	13	18	14	25	
8 - 1/2	10	22	34	13	22	14	25	
10 - 1/4	8	26.5	30.5	16	16	17	25	
10 - 3/8	9	26.5	31	16	18	17	25	
10 - 1/2	10	26.5	35.5	16	22	17	25	
12 - 1/4	8	30	34	19	16	20	25	
12 - 3/8	9	30	34.5	19	18	20	25	
12 - 1/2	10	30	39	19	22	20	25	
14 - 3/8	9	30.5	34.5	20	18	21	10	
14 - 1/2	10	30.5	39	20	22	21	10	

# 55116

RACCORDO A L ORIENTABILE MASCHIO CILINDRICO - ORIENTING ELBOW MALE ADAPTOR (PARALLEL)

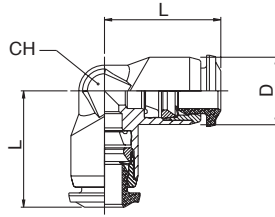
**NEW** VERSIONE NUOVA  
COMING NEXT



Tube	A	B	L1	L2	CH1	CH2	D	Conf. Pack.
4 - M3x0.5	3	16.5	17	12	7	9	10	25
4 - M5	3.6	16.5	18.5	13.8	7	9	10	25
4 - M7x1	4.8	16.5	19	14.4	7	9	10	25
4 - 1/8	5.4	16.5	21	15	7	13	10	25
4 - 1/4	7.1	16.5	25	16.6	9	16	10	25
5 - M5	3.6	20	21	14.7	9	9	12	25
5 - 1/8	5.4	20	23.5	15.8	9	13	12	25
6 - M5	3.6	20.5	21	14.7	9	9	12	25
6 - 1/8	5.4	20.5	23.5	15.8	9	13	12	25
6 - 1/4	7.1	20.5	27	17.5	9	16	12	25
6 - 3/8	8.1	20.5	28.5	19	9	20	12	25
6 - 1/2	9.6	20.5	33	21	9	25	12	25
8 - 1/8	5.4	22	24.5	19.4	10	13	14	25
8 - 1/4	7.1	22	28.5	18.7	10	16	14	25
8 - 3/8	8.1	22	29.5	20.1	10	20	14	25
8 - 1/2	9.6	22	34	22.1	10	25	14	25
10 - 1/4	7.1	26.5	30.5	22.8	13	16	17	25
10 - 3/8	8.1	26.5	31	23.3	13	20	17	25
10 - 1/2	9.6	26.5	35.5	23.8	13	25	17	25
12 - 1/4	7.1	30	34	24.1	16	16	20	25
12 - 3/8	8.1	30	34.5	23.6	16	20	20	25
12 - 1/2	9.6	30	39	25.1	16	25	20	25
14 - 3/8	8.1	31	34.5	28.1	18	20	21	10
14 - 1/2	9.6	31	39	26.1	18	25	21	10

# 55130

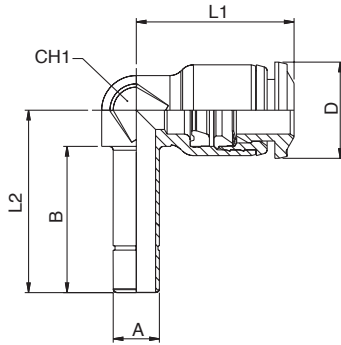
RACCORDO A L INTERMEDIO - ELBOW CONNECTOR



Tubo Tube	L	CH	D	Conf. Pack.
<b>4</b>	16.5	9	10	25
<b>5</b>	20	11	12	25
<b>6</b>	20.5	11	12	25
<b>8</b>	22	13	14	25
<b>10</b>	26.5	16	17	25
<b>12</b>	30	19	20	25
<b>14</b>	30.5	20	21	10

# 55140

RACCORDO A L CON CODA LISCIA CORTA - ORIENTING ELBOW

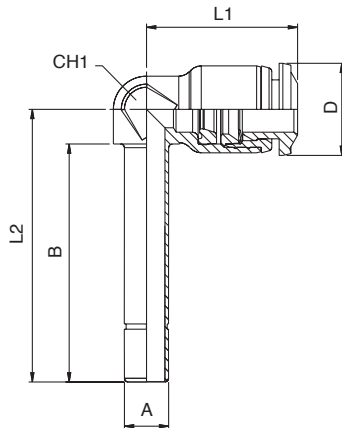


Tubo Tube	A	B	L1	L2	CH1	D	Conf. Pack.
<b>4</b> - <b>4</b>	17	16.5	<b>20.8</b>	7	10	25	
<b>4</b> - <b>6</b>	19	16.5	<b>22.8</b>	7	10	25	
<b>6</b> - <b>6</b>	19	20.5	<b>23.7</b>	9	12.5	25	
<b>6</b> - <b>4</b>	17	20.5	<b>21.7</b>	9	12.5	25	
<b>8</b> - <b>8</b>	20	22	<b>26</b>	10	14	25	
<b>8</b> - <b>10</b>	21.8	22	<b>27.6</b>	10	14	25	
<b>10</b> - <b>10</b>	22.5	26.5	<b>30</b>	13	17	25	
<b>10</b> - <b>12</b>	24.7	26.5	<b>32.2</b>	13	17	25	
<b>12</b> - <b>12</b>	25.5	30	<b>33.5</b>	16	20	25	

**NEW**

# 55150

RACCORDO A L CON CODA LISCIA LUNGA - ORIENTING ELBOW

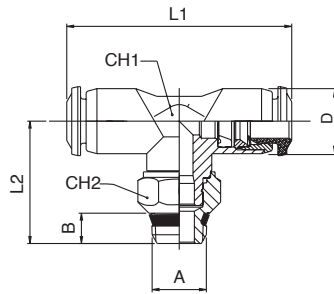


Tubo Tube	A	B	L1	L2	CH1	D	Conf. Pack.
<b>4</b> - <b>4</b>	28	16.5	<b>31.8</b>	7	10	25	
<b>4</b> - <b>6</b>	30.5	16.5	<b>34.3</b>	7	10	25	
<b>6</b> - <b>6</b>	32.3	20.5	<b>37</b>	9	12.5	25	
<b>6</b> - <b>4</b>	30	20.5	<b>34.7</b>	9	12.5	25	
<b>8</b> - <b>8</b>	36	22	<b>42</b>	10	14	25	
<b>8</b> - <b>10</b>	37.5	22	<b>43.1</b>	10	14	25	
<b>10</b> - <b>10</b>	40.8	26.5	<b>48.3</b>	13	17	25	
<b>10</b> - <b>12</b>	43.2	26.5	<b>50.7</b>	13	17	25	
<b>12</b> - <b>12</b>	47	31	<b>55</b>	16	20	25	

**NEW**

# 55210

RACCORDO A T ORIENTABILE MASCHIO SHORT - ORIENTING TEE MALE ADAPTOR (SHORT) - CENTRE LEG

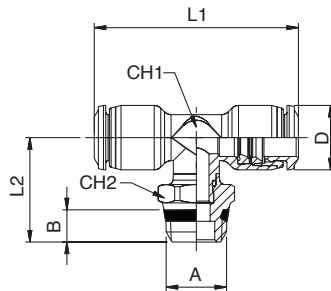


**FINO AD ESAURIMENTO  
TILL STOCK LASTS**

Tube	A	B	L1	L2	CH1	CH2	D	Conf. Pack.
4 - 1/8	5.5	33	19.5	9	13	10	25	
4 - 1/4	7	33	23	9	15	10	25	
5 - 1/8	5.5	40	22	11	13	12	25	
6 - 1/8	5.5	41	22	11	13	12.5	25	
6 - 1/4	7	41	25	11	15	12.5	25	
8 - 1/8	5.5	44	23	13	13	14	25	
8 - 1/4	7	44	26.5	13	15	14	25	
8 - 3/8	7.5	44	28	13	17	14	25	
10 - 1/4	7	53	28.5	16	15	17	25	
10 - 3/8	7.5	53	29.5	16	17	17	25	
10 - 1/2	9	53	31	16	21	17	25	
12 - 1/4	7	60	32	19	15	20	10	
12 - 3/8	7.5	60	33	19	17	20	10	
12 - 1/2	9	60	34.5	19	21	20	10	
14 - 3/8	7.5	61	32.5	20	17	21	10	
14 - 1/2	9	61	34.5	20	21	21	10	

# 55211

RACCORDO A T ORIENTABILE MASCHIO SHORT - ORIENTING TEE MALE ADAPTOR (SHORT) - CENTRE LEG

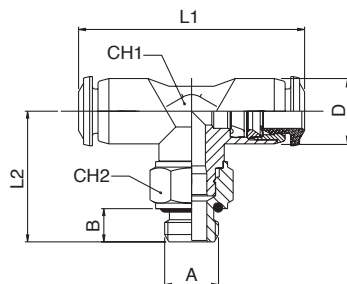


**NEW VERSIONE NUOVA  
COMING NEXT**

Tube	A	B	L1	L2	CH1	CH2	D	Conf. Pack.
4 - 1/8	5.5	33	18.7	7	13	10	25	
4 - 1/4	7	33	20.2	7	15	10	25	
5 - 1/8	5.5	40	20	9	13	12	25	
6 - 1/8	5.5	41	20	9	13	12.5	25	
6 - 1/4	7	41	21.5	9	15	12.5	25	
8 - 1/8	5.5	44	21.2	10	13	14	25	
8 - 1/4	7	44	22.7	10	15	14	25	
8 - 3/8	7.5	44	23.2	10	17	14	25	
10 - 1/4	7	53	25.7	13	16	17	25	
10 - 3/8	7.5	53	25.7	13	17	17	25	
10 - 1/2	9	53	28.2	13	21	17	25	
12 - 1/4	7	60	27.1	16	16	20	10	
12 - 3/8	7.5	60	27.1	16	17	20	10	
12 - 1/2	9	60	29.6	16	21	20	10	
14 - 3/8	7.5	61	30.2	18	20	21	10	
14 - 1/2	9	61	30.7	18	21	21	10	

# 55215

RACCORDO A T ORIENTABILE MASCHIO CILINDRICO - ORIENTING TEE MALE ADAPTOR (PARALLEL) - CENTRE LEG

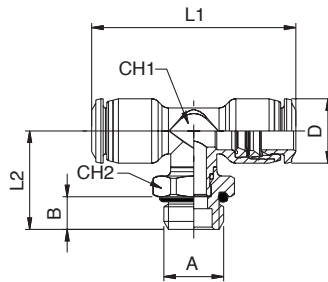


**FINO AD ESAURIMENTO  
TILL STOCK LASTS**

Tube	A	B	L1	L2	CH1	CH2	D	Conf. Pack.
4 - M5	4	33	18.5	9	8	10	25	
4 - 1/8	6	33	21	9	13	10	25	
4 - 1/4	8	33	25	9	16	10	25	
5 - M5	4	40	21	11	8	12	25	
5 - 1/8	6	40	23.5	11	13	12	25	
6 - M5	4	41	21	11	8	12	25	
6 - 1/8	6	41	23.5	11	13	12	25	
6 - 1/4	8	41	27	11	16	12	25	
8 - 1/8	6	44	24.5	13	13	14	25	
8 - 1/4	8	44	28.5	13	16	14	25	
8 - 3/8	9	44	29.5	13	18	14	25	
10 - 1/4	8	53	30.5	16	16	17	25	
10 - 3/8	9	53	31	16	18	17	25	
10 - 1/2	10	53	35.5	16	22	17	25	
12 - 1/4	8	60	34	19	16	20	10	
12 - 3/8	9	60	34.5	19	18	20	10	
12 - 1/2	10	60	39	19	22	20	10	
14 - 3/8	9	61	34.5	20	18	21	10	
14 - 1/2	10	61	39	20	22	21	10	

# 55216

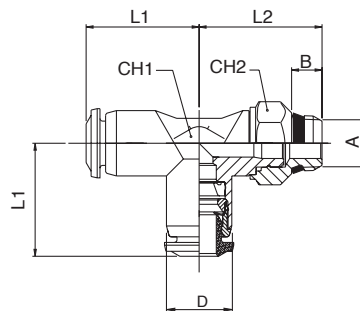
RACCORDO A T ORIENTABILE MASCHIO CILINDRICO - ORIENTING TEE MALE ADAPTOR (PARALLEL) - CENTRE LEG

**NEW** VERSIONE NUOVA  
COMING NEXT


Tubo Tube	A	B	L1	L2	CH1	CH2	D	Conf. Pack.
4	M5	3.6	33	15.5	7	9	10	25
4	1/8	5.4	33	17.1	7	13	10	25
4	1/4	7.1	33	18.8	7	16	10	25
5	M5	3.6	40	14.7	9	9	12	25
5	1/8	5.4	40	18.4	9	13	12	25
6	M5	3.6	41	14.7	9	9	12.5	25
6	1/8	5.4	41	18.4	9	13	12.5	25
6	1/4	7.1	41	20	9	16	12.5	25
8	1/8	5.4	44	22.1	10	13	14	25
8	1/4	7.1	44	21.4	10	16	14	25
8	3/8	8.1	44	22.8	10	20	14	25
10	1/4	7.1	53	26.7	13	16	17	25
10	3/8	8.1	53	26.2	13	20	17	25
10	1/2	9.6	53	27.7	13	25	17	25
12	1/4	7.1	61.5	28.1	16	16	20	10
12	3/8	8.1	61.5	27.6	16	20	20	10
12	1/2	9.6	61.5	29.1	16	25	20	10
14	3/8	8.1	61	31.8	18	20	21	10
14	1/2	9.6	61	29.8	18	25	21	10

# 55222

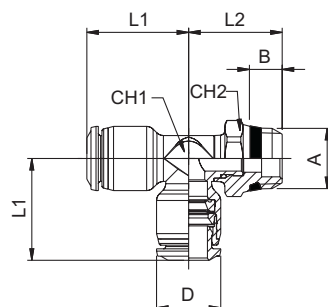
RACCORDO A T ORIENTABILE MASCHIO LATERALE SHORT - ORIENTING TEE MALE ADAPTOR (SHORT) - OFF - SET LEG

**FINO AD ESAURIMENTO**  
**TILL STOCK LASTS**


Tubo Tube	A	B	L1	L2	CH1	CH2	D	Conf. Pack.
4 - 1/8	5.5	16.5	19.5	9	13	10		25
4 - 1/4	7	16.5	23	9	15	10		25
5 - 1/8	5.5	20	22	11	13	12		25
6 - 1/8	5.5	20.5	22	11	13	12		25
6 - 1/4	7	20.5	25	11	15	12		25
8 - 1/8	5.5	22	23	13	13	14		25
8 - 1/4	7	22	26.5	13	15	14		25
8 - 3/8	7.5	22	28	13	17	14		25
10 - 1/4	7	26.5	28.5	16	15	17		25
10 - 3/8	7.5	26.5	29.5	16	17	17		25
10 - 1/2	9	26.5	31	16	21	17		25
12 - 1/4	7	30	31.5	19	15	20		10
12 - 3/8	7.5	30	33	19	17	20		10
12 - 1/2	9	30	34.5	19	21	20		10
14 - 3/8	7.5	30.5	32.5	20	17	21		10
14 - 1/2	9	30.5	34.5	20	21	21		10

# 55223

RACCORDO A T ORIENTABILE MASCHIO LATERALE SHORT - ORIENTING TEE MALE ADAPTOR (SHORT) - OFF - SET LEG

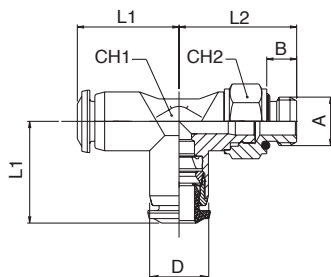
**NEW** VERSIONE NUOVA  
COMING NEXT


Tubo Tube	A	B	L1	L2	CH1	CH2	D	Conf. Pack.
4	1/8	5.5	16.5	18.2	7	13	10	25
4	1/4	7	16.5	19.7	7	15	10	25
5	1/8	5.5	20	17.4	9	13	12	25
6	1/8	5.5	20.5	17.4	9	13	12.5	25
6	1/4	7	20.5	18.9	9	15	12.5	25
8	1/8	5.5	22	18.9	10	13	14	25
8	1/4	7	22	20.4	10	15	14	25
8	3/8	7.5	22	20.9	10	17	14	25
10	1/4	7	26.5	21.8	13	16	17	25
10	3/8	7.5	26.5	21.8	13	17	17	25
10	1/2	9	26.5	24.3	13	21	17	25
12	1/4	7	31	23.1	16	16	20	10
12	3/8	7.5	31	23.1	16	17	20	10
12	1/2	9	31	25.6	16	21	20	10
14	3/8	7.5	30.5	26.5	18	20	21	10
14	1/2	9	30.5	27	18	21	21	10

# 55225

RACCORDO A T ORIENTABILE MASCHIO LATERALE CILINDRICO - ORIENTING TEE MALE ADAPTOR (PARALLEL) - OFF - SET LEG

**FINO AD ESAURIMENTO  
TILL STOCK LASTS**

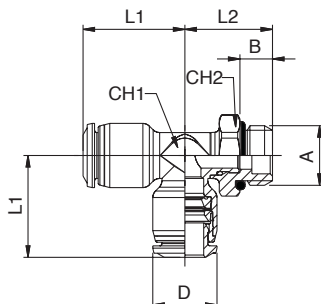


Tubo Tube	A	B	L1	L2	CH1	CH2	D	Conf. Pack.
4 - M5	4	16.5	18.5	9	8	10	25	
4 - 1/8	6	16.5	21	9	13	10	25	
4 - 1/4	8	16.5	25	9	16	10	25	
5 - M5	4	20	21	11	8	12	25	
5 - 1/8	6	20	23.5	11	13	12	25	
6 - M5	4	20.5	21	11	8	12	25	
6 - 1/8	6	20.5	23.5	11	13	12	25	
6 - 1/4	8	20.5	27	11	16	12	25	
8 - 1/8	6	22	24.5	13	13	14	25	
8 - 1/4	8	22	28.5	13	16	14	25	
8 - 3/8	9	22	29.5	13	18	14	25	
10 - 1/4	8	26.5	30.5	16	16	17	25	
10 - 3/8	9	26.5	31	16	18	17	25	
10 - 1/2	10	26.5	35.5	16	22	17	25	
12 - 1/4	8	30	33.5	19	16	20	10	
12 - 3/8	9	30	34.5	19	18	20	10	
12 - 1/2	10	30	39	19	22	20	10	
14 - 3/8	9	30.5	34.5	20	18	21	10	
14 - 1/2	10	30.5	39	20	22	21	10	

# 55226

RACCORDO A T ORIENTABILE MASCHIO LATERALE CILINDRICO - ORIENTING TEE MALE ADAPTOR (PARALLEL) - OFF - SET LEG

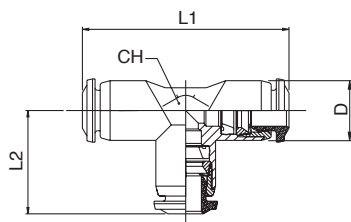
**NEW** VERSIONE NUOVA  
COMING NEXT



Tubo Tube	A	B	L1	L2	CH1	CH2	D	Conf. Pack.
4 - M5	3.6	16.5	15.5	7	9	10	25	
4 - 1/8	5.4	16.5	16.6	7	13	10	25	
4 - 1/4	7.1	16.5	18.3	7	16	10	25	
5 - M5	3.6	20	14.7	9	9	12	25	
5 - 1/8	5.4	20	15.8	9	13	12	25	
6 - M5	3.6	20.5	14.7	9	9	12.5	25	
6 - 1/8	5.4	20.5	15.8	9	13	12.5	25	
6 - 1/4	7.1	20.5	17.5	9	16	12.5	25	
8 - 1/8	5.4	22	19.8	10	13	14	25	
8 - 1/4	7.1	22	19.1	10	16	14	25	
8 - 3/8	8.1	22	20.5	10	20	14	25	
10 - 1/4	7.1	26.5	22.8	13	16	17	25	
10 - 3/8	8.1	26.5	22.3	13	20	17	25	
10 - 1/2	9.6	26.5	23.8	13	25	17	25	
12 - 1/4	7.1	31	24.1	16	16	20	10	
12 - 3/8	8.1	31	23.6	16	20	20	10	
12 - 1/2	9.6	31	25.1	16	25	20	10	
14 - 3/8	8.1	30.5	28.1	18	20	21	10	
14 - 1/2	9.6	30.5	26.1	18	25	21	10	

# 55230

RACCORDO A T INTERMEDIO - TEE CONNECTOR

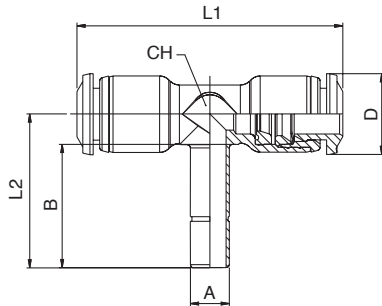


Tubo Tube	L1	L2	CH	D	Conf. Pack.
4	33	16.5	9	10	25
5	40	20	11	12	25
6	41	20.5	11	12	25
8	44	22	13	14	25
10	53	26.5	16	17	25
12	61.5	30	19	20	10
14	61	30.5	20	21	10

# 55240

RACCORDO A T ORIENTABILE CON CODA LISCIA CORTA - ORIENTING TEE

# NEW

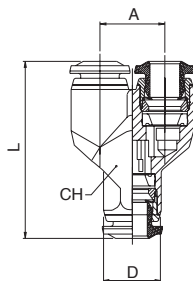


Tubo Tube	A	B	L1	L2	CH	D	Conf. Pack.
4	- 4	17	33	20.7	7	10	25
4	- 6	19	33	22.7	7	10	25
6	- 6	19	41	23.7	9	12.5	25
6	- 4	17	41	21.7	9	12.5	25
8	- 8	20	44	26	10	14	25
8	- 10	22.2	44	28	10	14	25
10	- 10	22.5	53	30	13	17	25
10	- 12	25	53	32.2	13	17	25
12	- 12	25.5	61.5	33.5	16	20	25



# 55310

RACCORDO A Y INTERMEDIO - Y CONNECTOR

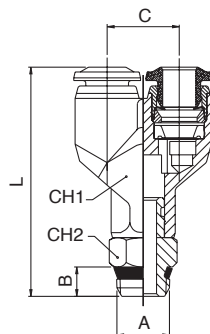


Tubo Tube	A	L	CH	D	Conf. Pack.
4	11	31.5	10	10	25
6	13.5	37	12	12	25
8	15.5	40	14	14	25
10	19	48.5	17	18	25
12	22	57.5	20	20	10



# 55320

RACCORDO A Y ORIENTABILE MASCHIO SHORT - ORIENTING Y MALE ADAPTOR (SHORT)

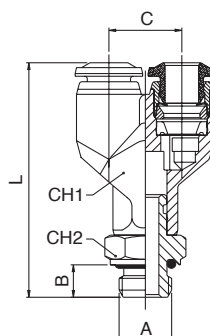


Tubo Tube	A	B	C	L	CH1	CH2	Conf. Pack.
4	- 1/8	5.5	11	38	10	11	25
4	- 1/4	7	11	40.5	10	14	25
6	- 1/8	5.5	13.5	43	12	11	25
6	- 1/4	7	13.5	45.5	12	14	25
8	- 1/8	5.5	15.5	46.5	14	11	25
8	- 1/4	7	15.5	49	14	14	25
8	- 3/8	7.5	15.5	49.5	14	17	25
10	- 1/4	7	19	56.5	17	14	25
10	- 3/8	7.5	19	57.5	17	17	25
10	- 1/2	9	19	60	17	21	25
12	- 3/8	7.5	22	66.5	20	17	10
12	- 1/2	9	22	68	20	21	10



# 55325

RACCORDO A Y ORIENTABILE MASCHIO CILINDRICO - ORIENTING Y MALE ADAPTOR (PARALLEL)



Tubo Tube	A	B	C	L	CH1	CH2	Conf. Pack.
4	- M5	4	11	36.5	10	10	25
4	- 1/8	6	11	38.5	10	13	25
4	- 1/4	8	11	40.5	10	16	25
6	- M5	4	13.5	41.5	12	10	25
6	- 1/8	6	13.5	43.5	12	13	25
6	- 1/4	8	13.5	46.5	12	16	25
8	- 1/8	6	15.5	47	14	13	25
8	- 1/4	8	15.5	50	14	16	25
8	- 3/8	9	15.5	52	14	20	25
10	- 1/4	8	19	59.5	17	16	25
10	- 3/8	9	19	59.5	17	20	25
10	- 1/2	10	19	62	17	24	25
12	- 3/8	9	22	68.5	20	20	10
12	- 1/2	10	22	71	20	24	10



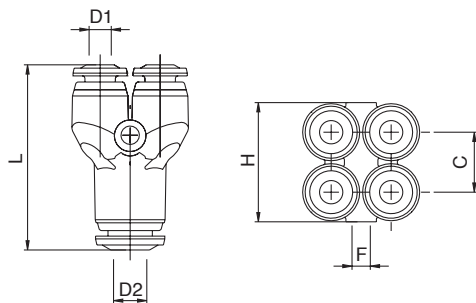
# 55330

RACCORDO MULTIPLO A Y INTERMEDIO - Y CONNECTOR MANIFOLD

## NEW



D1	D2	C	L	F	H	Conf. Pack.
4	- 4	10.8	33.5	3.3	21.5	25
4	- 6	10.8	34.5	3.3	21.5	25
6	- 6	13.3	39.5	3.3	26.8	25
6	- 8	13.3	40	3.3	26.8	25



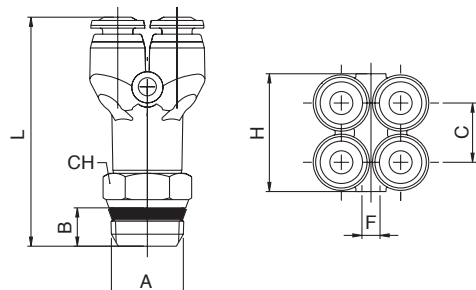
# 55340

RACCORDO MULTIPLO A Y ORIENTABILE MASCHIO SHORT - Y CONNECTOR ORIENTING MALE ADAPTOR (SHORT)

## NEW



Tubo Tube	A	B	C	L	H	CH	F	Conf. Pack.
4	- 1/8	5.5	10.8	39.5	21.5	11	3.3	25
4	- 1/4	7	10.8	42	21.5	14	3.3	25
6	- 1/8	5.5	13.3	46.5	26.8	11	3.3	25
6	- 1/4	7	13.3	48	26.8	14	3.3	25



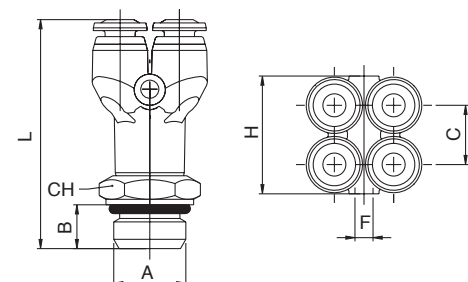
# 55345

RACCORDO MULTIPLO A Y ORIENTABILE MASCHIO CILINDRICO - Y CONNECTOR ORIENTING MALE ADAPTOR (PARALLEL)

## NEW



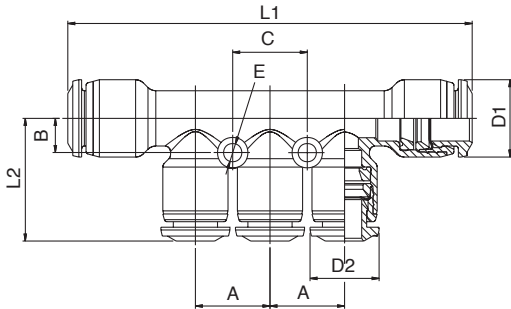
Tubo Tube	A	B	C	L	H	CH	F	Conf. Pack.
4	- 1/8	6	10.8	40	21.5	13	3.3	25
4	- 1/4	8	10.8	42	21.5	16	3.3	25
6	- 1/8	6	13.3	47	26.8	13	3.3	25
6	- 1/4	8	13.3	49	26.8	16	3.3	25





# 55350

RACCORDO MULTIPLO DI RIDUZIONE - REDUCTION MANIFOLD

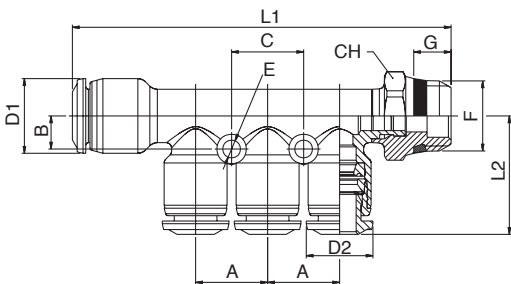


## NEW

Tubo Tube	A	B	L1	L2	C	D1	D2	E	Conf. Pack.
6-4	13.5	6	74	21.8	13.5	14	12	3.3	10
8-4	13.5	6	73	21.8	13.5	14	12	3.3	10
8-6	13.5	6	73	22.3	13.5	14	12.5	3.3	10
10-6	15	7	83	23.7	15	17	14	3.3	10
10-8	15	7	83	23.2	15	17	14	3.3	10

# 55360

RACCORDO MULTIPLO DI RIDUZIONE ORIENTABILE MASCHIO SHORT - REDUCTION MANIFOLD ORIENTING MALE ADAPTOR (SHORT)

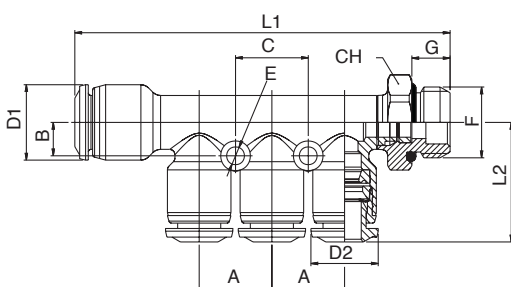


## NEW

Tubo Tube	F	A	B	L1	L2	C	D1	D2	E	G	CH	Conf. Pack.
6-4	1/8	13.5	6	70	21.8	13.5	14	12	3.3	5.5	13	10
6-4	1/4	13.5	6	71.4	21.8	13.5	14	12	3.3	7	15	10
8-4	1/8	13.5	6	70	21.8	13.5	14	12	3.3	5.5	13	10
8-4	1/4	13.5	6	71.4	21.8	13.5	14	12	3.3	7	15	10
8-6	1/8	13.5	6	70	22.3	13.5	14	12.5	3.3	5.5	13	10
8-6	1/4	13.5	6	71.4	22.3	13.5	14	12.5	3.3	7	15	10
10-6	1/4	15	7	81.5	23.7	15	17	14	3.3	7	16	10
10-6	3/8	15	7	81.5	23.7	15	17	14	3.3	7.5	17	10
10-8	1/4	15	7	81.5	23.2	15	17	14	3.3	7	16	10
10-8	3/8	15	7	81.5	23.2	15	17	14	3.3	7.5	17	10

# 55365

RACCORDO MULTIPLO DI RIDUZIONE ORIENTABILE MASCHIO CILINDRICO - REDUCTION MANIFOLD ORIENTING MALE ADAPTOR (PARALLEL)



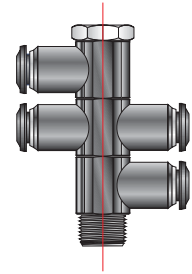
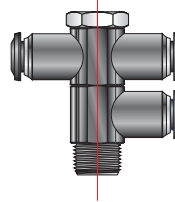
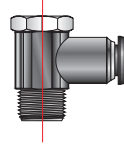
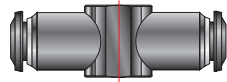
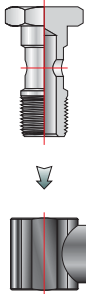
## NEW

Tubo Tube	F	A	B	L1	L2	C	D1	D2	E	G	CH	Conf. Pack.
6-4	1/8	13.5	6	70.7	21.8	13.5	14	12	3.3	5.4	13	10
6-4	1/4	13.5	6	70	21.8	13.5	14	12	3.3	7.1	16	10
8-4	1/8	13.5	6	70.7	21.8	13.5	14	12	3.3	5.4	13	10
8-4	1/4	13.5	6	70	21.8	13.5	14	12	3.3	7.1	16	10
8-6	1/8	13.5	6	70.7	22.3	13.5	14	12.5	3.3	5.4	13	10
8-6	1/4	13.5	6	70	22.3	13.5	14	12.5	3.3	7.1	16	10
10-6	1/4	15	7	82.4	23.7	15	17	14	3.3	7.1	16	10
10-6	3/8	15	7	82	23.7	15	17	14	3.3	8.1	20	10
10-8	1/4	15	7	82.4	23.2	15	17	14	3.3	7.1	16	10
10-8	3/8	15	7	82	23.2	15	17	14	3.3	8.1	20	10

*Assemblaggio Viti con Anelli Orientabili | Banjo Stem Assemblies*

Esempi di assemblaggio delle viti con anelli orientabili singoli e doppi.

*Assembling examples of various banjo stems with single and double banjo bodies.*



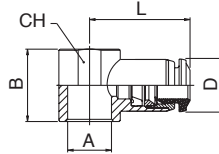
**Vite singola**  
Single banjo stem

**Vite doppia**  
Double banjo stem

**Vite tripla**  
Triple banjo stem

**55500**

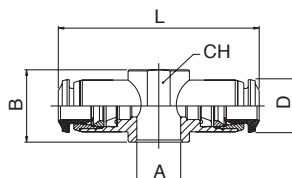
ANELLO ORIENTABILE A L - SINGLE BANJO BODY



Tube	A	B	L	CH	D	Conf. Pack.
4 - M5	14	19.5	9	10	25	
4 - M6	14	19.5	9	10	25	
4 - 1/8	16.5	21.5	14	10	25	
5 - M5	14	20.5	9	12	25	
5 - M6	14	20.5	9	12	25	
5 - 1/8	16.5	22.5	14	12	25	
5 - 1/4	18.5	25	18	12	25	
6 - M5	14	21	9	12	25	
6 - M6	14	21	9	12	25	
6 - 1/8	16.5	23	14	12	25	
6 - 1/4	18.5	25.5	18	12	25	
8 - 1/8	16.5	23.5	14	14	25	
8 - 1/4	18.5	26	18	14	25	
8 - 3/8	22	27.5	21	14	25	
10 - 3/8	22	30.5	21	17	25	
12 - 3/8	22	32.5	21	20	25	
12 - 1/2	26	35	26	20	10	

**55510**

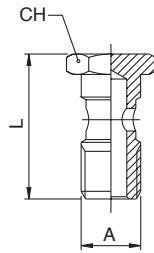
ANELLO ORIENTABILE A T - DOUBLE BANJO BODY



Tube	A	B	L	CH	D	Conf. Pack.
4 - M5	14	39	9	10	25	
4 - 1/8	16.5	43	14	10	25	
5 - 1/8	16.5	45	14	12	25	
5 - 1/4	18.5	50	18	12	25	
6 - 1/8	16.5	46	14	12	25	
6 - 1/4	18.5	51	18	12	25	
8 - 1/8	16.5	47	14	14	25	
8 - 1/4	18.5	52	18	14	25	

# 55410

VITE CAVA SINGOLA - BANJO STEM SINGLE



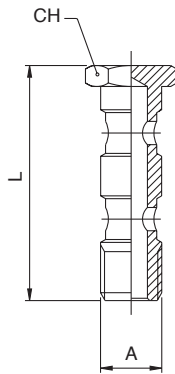
A	L	CH	Conf. Pack.
<b>M5</b>	22	8	25
<b>M6</b>	23	8	25
<b>1/8</b>	28	14	25
<b>1/4</b>	32	17	25
<b>3/8</b>	36	19	25
<b>1/2</b>	42	24	25
<b>*M12x1.5</b>	32	17	25

\*CON QUESTA VITE UTILIZZARE GLI ANELLI ORIENTABILI DA 1/4.  
\*WITH THIS BANJO STEM USING 1/4 ORIENTING BANJO BODY.



# 55420

VITE CAVA DOPPIA - BANJO STEM DOUBLE



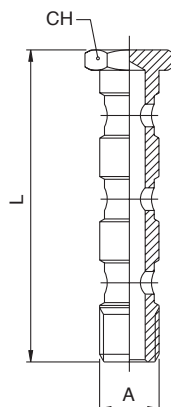
A	L	CH	Conf. Pack.
<b>1/8</b>	44.5	14	25
<b>1/4</b>	50.5	17	25
<b>3/8</b>	58	19	25
<b>1/2</b>	68	24	25
<b>*M12x1.5</b>	50.5	17	25

\*CON QUESTA VITE UTILIZZARE GLI ANELLI ORIENTABILI DA 1/4.  
\*WITH THIS BANJO STEM USING 1/4 ORIENTING BANJO BODY.



# 55430

VITE CAVA TRIPLA - BANJO STEM TRIPLE

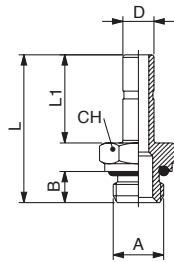


A	L	CH	Conf. Pack.
<b>1/8</b>	61	14	25
<b>1/4</b>	69	17	25
<b>3/8</b>	80	19	25
<b>1/2</b>	94	24	10



# 50600

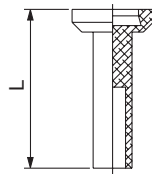
ADATTATORE MASCHIO CILINDRICO - MALE ADAPTOR PARALLEL



D	A	B	L	L1	CH	Conf. Pack.
4	- M5	4	24	15	8	25
4	- 1/8	6	26.5	15	13	25
5	- M5	4	26	17	8	25
5	- 1/8	6	28.5	17	13	25
5	- 1/4	8	31	17	16	25
6	- M5	4	26	17	8	25
6	- 1/8	6	28.5	17	13	25
6	- 1/4	8	31	17	16	25
8	- 1/8	6	29.5	18	13	25
8	- 1/4	8	32	18	16	25
8	- 3/8	9	33.5	18	20	25
10	- 1/8	6	33.5	22	13	25
10	- 1/4	8	36	22	16	25
10	- 3/8	9	37.5	22	20	25
12	- 1/4	8	38.5	24.5	16	25
12	- 3/8	9	40	24.5	20	25

# 8610

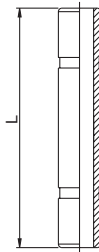
TAPPO (PA11) - PLUG (PA11)



Tubo Tube	L	Conf. Pack.
4	23.5	25
5	24.5	25
6	24.5	25
8	26	25
10	28.5	25
12	28.5	25

# 50625

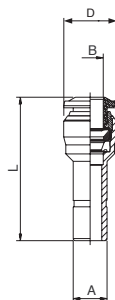
GIUNZIONE DOPPIA - DOUBLE JOINT



Tubo Tube	L	Conf. Pack.
4	31	25
5	33	25
6	34	25
8	36	25
10	45	25
12	50	25

# 50700N

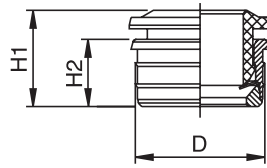
RIDUZIONE - REDUCER



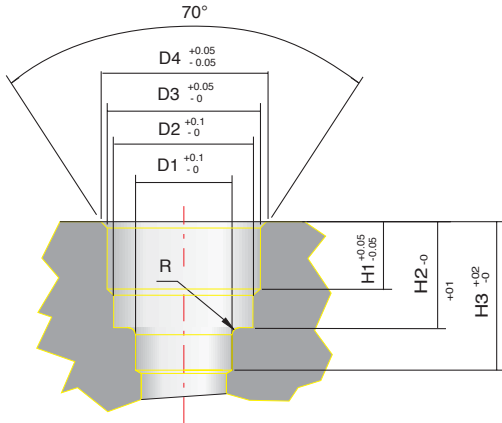
A	B	L	D	Conf. Pack.
4	- 3	30	8.5	25
5	- 4	32	11.5	25
6	- 4	30	10.5	25
6	- 5	34.5	11.5	25
8	- 4	32.5	10.5	25
8	- 6	34.5	12.5	25
10	- 4	31.5	10.5	25
10	- 8	38.5	14.5	25
12	- 8	39.5	14.5	25

# 55800N

CARTUCCE A COMPRESSIONE - PUSH-FIT CARTRIDGES



Tubo Tube	D	H1	H2	Conf. Pack.
<b>3</b>	6.7	9	5	25
<b>4</b>	8.7	10.4	5.6	25
<b>5</b>	9.75	11.8	6.3	25
<b>6</b>	10.75	12.4	6.9	25
<b>8</b>	12.7	12.4	6.9	25
<b>10</b>	15.7	15.7	8.5	25
<b>12</b>	18.3	17.8	9.5	25



# 55800

SEDE - SEAT

DIMENSIONI SEDI CARTUCCE A COMPRESSIONE  
SEATS DIMENSIONS PUSH-FIT CARTRIDGES

Tubo Tube	D1	D2	D3	D4	H1	H2	H3	R
<b>3</b>	3.4	6.05	6.4	6.95	3.7	6.1	8.6	0.5
<b>4</b>	4.2	7.45	8.4	9	3.75	6.5	9.5	0.5
<b>5</b>	5.2	8.35	9.4	10.15	4.45	7.9	10.5	0.5
<b>6</b>	6.2	9.35	10.45	11.35	5	8.5	11.5	0.5
<b>8</b>	8.2	11.4	12.4	12.9	5.2	8.5	12.5	0.75
<b>10</b>	10.2	14.5	15.4	16	6.7	10.5	15	0.75
<b>12</b>	12.2	17	18	19	7.5	12.1	17	1

# 55801

FRESA SEDE CARTUCCE A COMPRESSIONE - TOOL FOR PUSH-FIT CARTRIDGES SEAT



Tubo Tube	Ø Gambo Ø Body	Conf. Pack.
<b>3</b>	10	1
<b>4</b>	10	1
<b>5</b>	12	1
<b>6</b>	12	1
<b>8</b>	12	1
<b>10</b>	16	1
<b>12</b>	16	1

# 55802

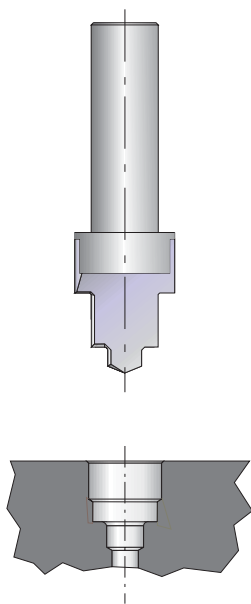
CANOTTO MONTAGGIO CARTUCCE A COMPRESSIONE - ASSEMBLING TOOL FOR PUSH-FIT CARTRIDGES



Tubo Tube	Conf. Pack.
<b>3</b>	1
<b>4</b>	1
<b>5</b>	1
<b>6</b>	1
<b>8</b>	1
<b>10</b>	1
<b>12</b>	1

**ISTRUZIONI DI MONTAGGIO CARTUCCE A  
COMPRESSIONE ART. 55800N**

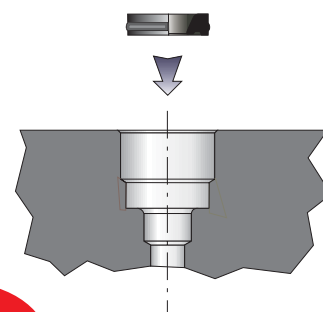
*PUSH-FIT CARTRIDGES ASSEMBLING  
INSTRUCTIONS ART. 55800N*



**1**

**Realizzare la sede per la cartuccia utilizzando l'apposita fresa Art. 55801**

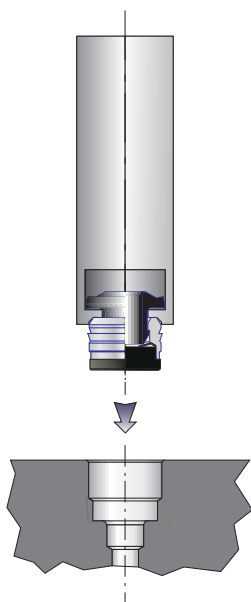
*Make the seat for the cartridge utilizing the suitable tool Art. 55801*



**2**

**Inserire la guarnizione a labbro nell'apposita sede.**

*Insert the lip seal inside of the seat.*



**3**

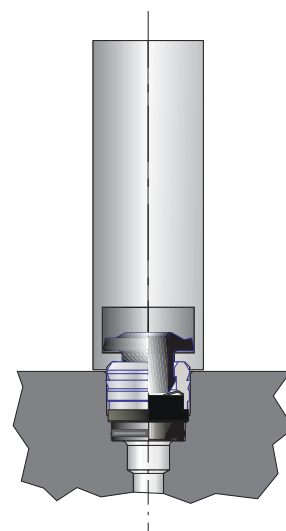
**Inserire la cartuccia nel canotto di montaggio Art. 55802**

*Insert the cartridge into the assembling tool Art. 55802*

**Premere la cartuccia all'interno della sede fino ad arrivare in battuta sul piano con il canotto.**

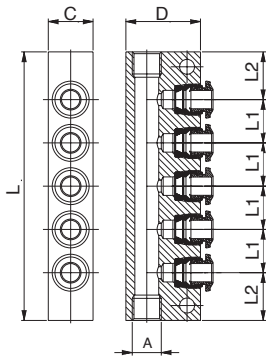
*Press the cartridge inside of the seat until it will be reached the abutment surface with the assembling tool.*

**4**



# 50900N

RIPARTITORE IN ALLUMINIO A 5 VIE - ALUMINIUM MANIFOLD 5 WAYS

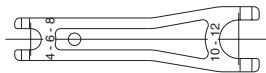


Tubo Tube	A	C	D	L	L1	L2	Conf. Pack.
4	- 1/8	15	25	75	12	13.5	5
6	- 1/8	15	25	90	14.5	16	5
6	- 1/4	20	30	90	14.5	16	5
8	- 1/4	20	30	100	16	18	5



# 50990

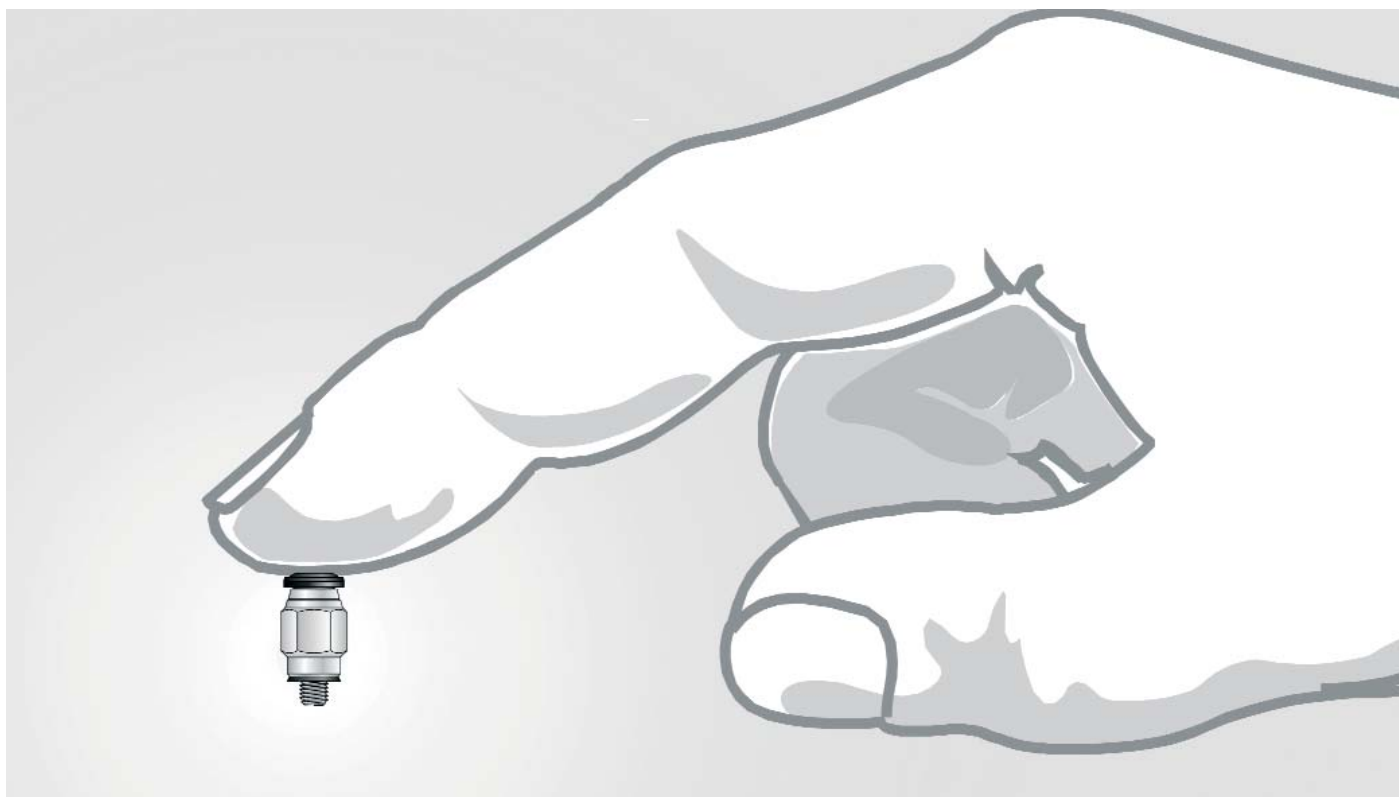
LEVA SGANCIO ADATTATORI - TOOL FOR DISASSEMBLING



Conf. Pack.
10

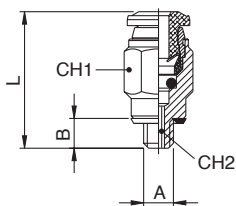


# Serie 56000 "mini"



## 56020

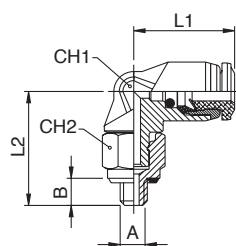
RACCORDO MASCHIO CILINDRICO - STRAIGHT MALE ADAPTOR (PARALLEL)



Tube	A	B	L	CH1	CH2	Conf. Pack.
2	- M3	3	13.5	6	1.5	50
2	- M5	4	12.5	7	1.5	50
3	- M3	3	13.5	6	1.5	50
3	- M5	4	13.5	7	2	50

## 56115

RACCORDO A L ORIENTABILE MASCHIO CILINDRICO - ORIENTING ELBOW MALE ADAPTOR (PARALLEL)

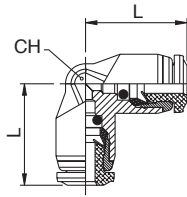


Tube	A	B	L1	L2	CH1	CH2	Conf. Pack.
2	- M3	3	11	13.5	6	8	50
2	- M5	4	11	12.5	6	8	50
3	- M3	3	11	13.5	6	8	50
3	- M5	4	11	12.5	6	8	50



# 56130

RACCORDO A L INTERMEDIO - ELBOW CONNECTOR

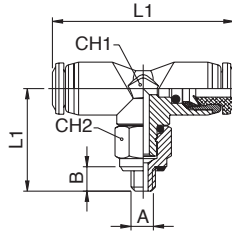


Tube	L	CH	Conf. Pack.
<b>2</b>	11	6	50
<b>3</b>	11	6	50



# 56215

RACCORDO A T ORIENTABILE MASCHIO CILINDRICO - ORIENTING TEE MALE ADAPTOR (PARALLEL) - CENTRE LEG

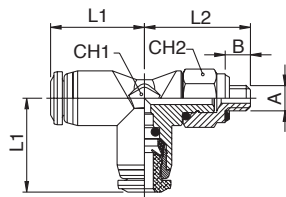


Tube	A	B	L1	L2	CH1	CH2	Conf. Pack.
<b>2</b> - <b>M3</b>	3	22	12.5	6	8	50	
<b>2</b> - <b>M5</b>	4	22	13.5	6	8	50	
<b>3</b> - <b>M3</b>	3	22	12.5	6	8	50	
<b>3</b> - <b>M5</b>	4	22	13.5	6	8	50	



# 56225

RACCORDO A T ORIENTABILE MASCHIO LATERALE CILINDRICO - ORIENTING TEE MALE ADAPTOR (PARALLEL) - OFF-CENTRE LEG

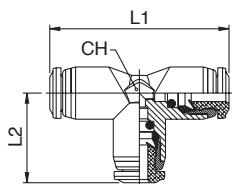


Tube	A	B	L1	L2	CH1	CH2	Conf. Pack.
<b>2</b> - <b>M3</b>	3	11	12.5	6	8	50	
<b>2</b> - <b>M5</b>	4	11	13.5	6	8	50	
<b>3</b> - <b>M3</b>	3	11	12.5	6	8	50	
<b>3</b> - <b>M5</b>	4	11	13.5	6	8	50	



# 56230

RACCORDO A T INTERMEDIO - TEE CONNECTOR

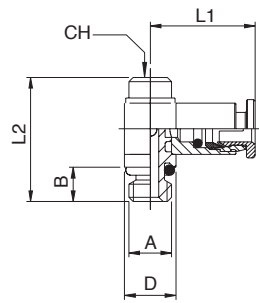


Tube	L1	L2	CH	Conf. Pack.
<b>2</b>	22	11	6	50
<b>3</b>	22	11	6	50



# 56550

RACCORDO ORIENTABILE A L - ORIENTING SINGLE BANJO BODY MALE



Tube	A	B	D	L1	L2	CH	Conf. Pack.
<b>3</b>	- <b>M5</b>	4	6	12	14.5	2	50
<b>3</b>	- <b>M3</b>	3	6	12	13.5	2	50