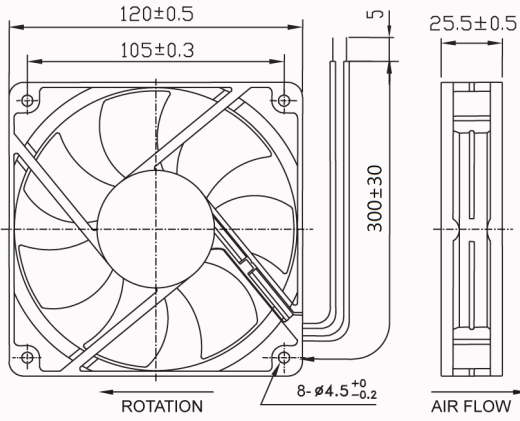
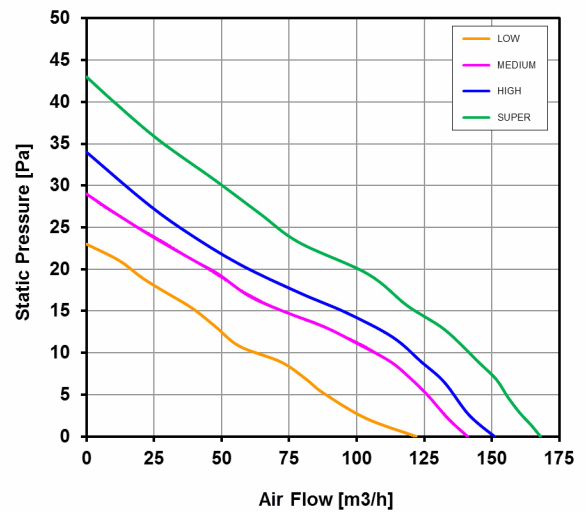
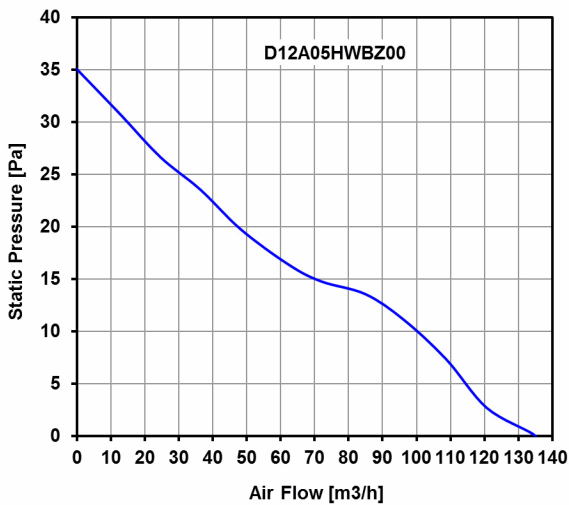


"D12AZ" SERIES COSTECH FANS

Description: **Axial c.c. 120x120x25 mm**



| | |
|---|---|
| Casing material: | Black fibreglass reinforced plastic (PBT) UL 94V-0 |
| Impeller material | Black fibreglass reinforced plastic (PBT) UL 94V-0 |
| Protection degree: | IP20, according to EN 60529 standard |
| Fixing system: | 4 holes $\varnothing 4.5$ mm |
| Motor protection: | IC |
| Storage temperature: | from -40°C to $+70^{\circ}\text{C}$ |
| Rated temperature range: | from -10°C to $+70^{\circ}\text{C}$ |
| Lifetime L10 at 40°C: | 70,000 h ball bearing 30,000 h sleeve bearing |
| Electrical connection: | 2 leads 24AWG, 300 mm long |
| Weight: | 156 g |
| Approvals: | CE; UL E223195 |



| Model | Bearing | Voltage | Rated Current | Rated Power | Max Air Flow** | Static Pressure | Noise | RPM | Approvals |
|--------------|---------|-----------|---------------|-------------|---------------------|-----------------|---------|-------|-----------|
| | | (V) | (A) | (W) | (m ³ /h) | (Pa) | [db(A)] | (rpm) | |
| D12A04HWBZ00 | Ball | 12 V d.c. | 0.370 | 4.44 | 149 | 33 | 39.1 | 2,200 | CE; cURus |
| D12A04HWSZ00 | Sleeve | 12 V d.c. | 0.440 | 5.28 | 149 | 33 | 39.1 | 2,200 | CE; cURus |
| D12A04LWBZ00 | Ball | 12 V d.c. | 0.240 | 2.88 | 122 | 23 | 34.4 | 1,800 | CE; cURus |
| D12A04LWSZ00 | Sleeve | 12 V d.c. | 0.240 | 2.88 | 122 | 23 | 34.4 | 1,800 | CE; UR |
| D12A04MWBZ00 | Ball | 12 V d.c. | 0.330 | 3.96 | 138 | 28 | 38.0 | 2,050 | CE; cURus |
| D12A04MWSZ00 | Sleeve | 12 V d.c. | 0.340 | 4.08 | 138 | 28 | 38.0 | 2,050 | CE; cURus |
| D12A04SWBZ00 | Ball | 12 V d.c. | 0.50 | 6.0 | 168 | 43 | 43.3 | 2,500 | CE; cURus |
| D12A04SWSZ00 | Sleeve | 12 V d.c. | 0.50 | 6.0 | 168 | 43 | 43.3 | 2,500 | CE; cURus |
| D12A05HWBZ00 | Ball | 24 V d.c. | 0.190 | 4.56 | 134 | 35 | 39.3 | 2,200 | CE; cURus |
| D12A05HWSZ00 | Sleeve | 24 V d.c. | 0.240 | 5.76 | 149 | 33 | 39.1 | 2,200 | CE; cURus |
| D12A05LWBZ00 | Ball | 24 V d.c. | 0.140 | 3.36 | 122 | 23 | 34.4 | 1,800 | CE; cURus |
| D12A05LWSZ00 | Sleeve | 24 V d.c. | 0.142 | 3.4 | 122 | 23 | 34.4 | 1,800 | CE; cURus |
| D12A05MWBZ00 | Ball | 24 V d.c. | 0.170 | 4.08 | 138 | 28 | 38.0 | 2,050 | CE; cURus |
| D12A05MWSZ00 | Sleeve | 24 V d.c. | 0.200 | 4.8 | 138 | 28 | 38.0 | 2,050 | CE; cURus |
| D12A05SWBZ00 | Ball | 24 V d.c. | 0.250 | 6.0 | 168 | 43 | 43.3 | 2,500 | CE; cURus |
| D12A05SWSZ00 | Sleeve | 24 V d.c. | 0.250 | 6.0 | 168 | 43 | 43.3 | 2,500 | CE; cURus |
| D12A07HWBZ00 | Ball | 48 V d.c. | 0.120 | 5.76 | 149 | 33 | 39.1 | 2,200 | CE |

All specifications, data and drawing are subject to change without notice. Please refer to our terms of sales including our warranty and limited liabilities clauses.