

Verderair

VA40 non - metallic



VERDERAIR®

Description

The VA40 non-metallic double diaphragm pumps are excellent pumps for use in a wide range of applications across many industries. The reliability of those pumps and especially the air valves, have been proven in many industries since many years. The pumps are available in 3 different materials for the pump body and 7 different materials for the diaphragms. This makes it possible to select the best solution for your application.

Your benefits

- Easy to install, operate and maintain
- Less downtime
- Free of air lubrication
- Non-stalling air valve
- Can run-dry without damage
- Dry self-priming

Technical data

Weight [kg]	Fluid & air section	PA, CA	16
		PS, CS	26
		KA	22
		KS	32
Max. suction lift [mwc]		Dry	2,5
		Wet	5,5
Temperature [°C]	Fluid section	Internals	
	C, P	All internals	5 65
	K	BN, SP, TO, HY, GE	5 65
	K	TF, VT	5 93
Max. Particle size [mm]			4,8
Max. recommended viscosity (mPas)			15000

Code VA40 No.1 No.2 No.3 No.4. No.5 No.6 No.7

No.1 Fluid section

- ⚠ C = Conductive PP
- K = Kynar (PVDF)
- P = Polypropylene

No.2 Air section

- A = Aluminium
- S = Stainless Steel

No.3 Check valve seats

- BN = Buna-N
- HY = Hytrel (TPE)
- KY = Kynar (PVDF)
- PP = Polypropylene

- SP = Santoprene
- SS = Stainless Steel
- VT = Viton (FKM)

No. 4 Check valve balls

- BN = Buna-N
- GE = Geolast
- HY = Hytrel (TPE)
- SP = Santoprene
- TF = Teflon
- VT = Viton (FKM)

No.5 Diaphragms

- BN = Buna-N

- GE = Geolast
- HY = Hytrel (TPE)
- SP = Santoprene
- TF = PTFE/Santoprene 2 piece
- TO = PTFE/EPDM overmolded
- VT = Viton (FKM)

No. 6 Connections

- FE = End flange DIN/ANSI

No. 7 Options

- OO = Standard
- RE = Remote

EXAMPLE PUMP TYPE

VA40PA PP SP SP FE OO

NOTE not all combinations are available

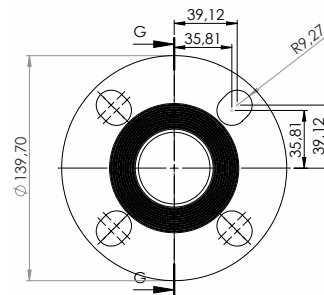
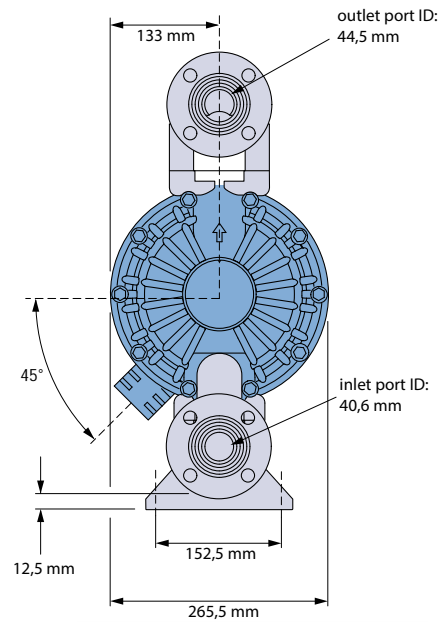
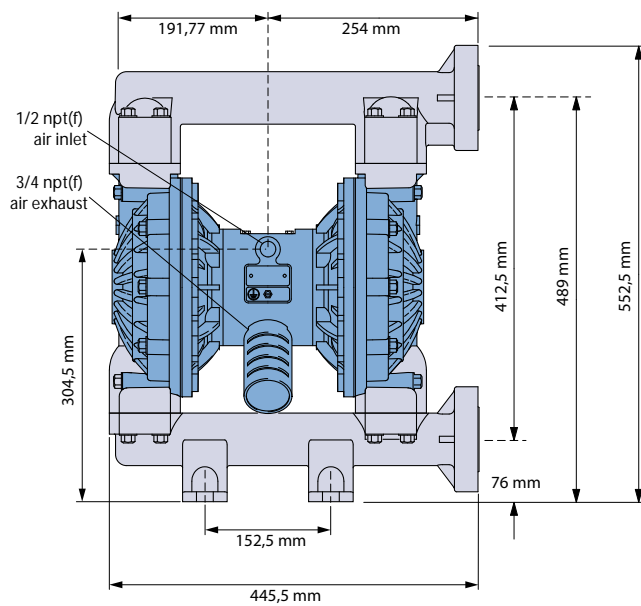
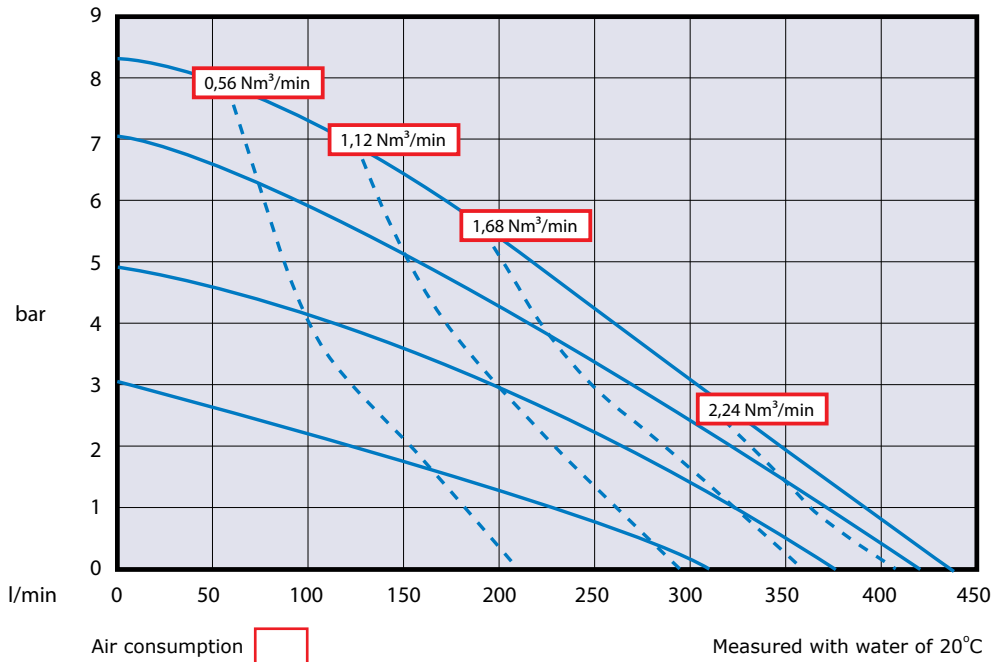
- ⚠ II 2 GD c IIC T4

Verderair

VA40 non - metallic



VERDERAIR®



FLANGE DIMENSION IN MM

VA40nonmet_Technosheet_rev02_2015_(eu)

All dimensions are in mm.
All dimensions are for guidance only.

Find your local supplier
at www.verderair.com

For construction, installation and floor mounting drawings
please contact your local authorised Verderair® distributor.

VERDER
passion for pumps

