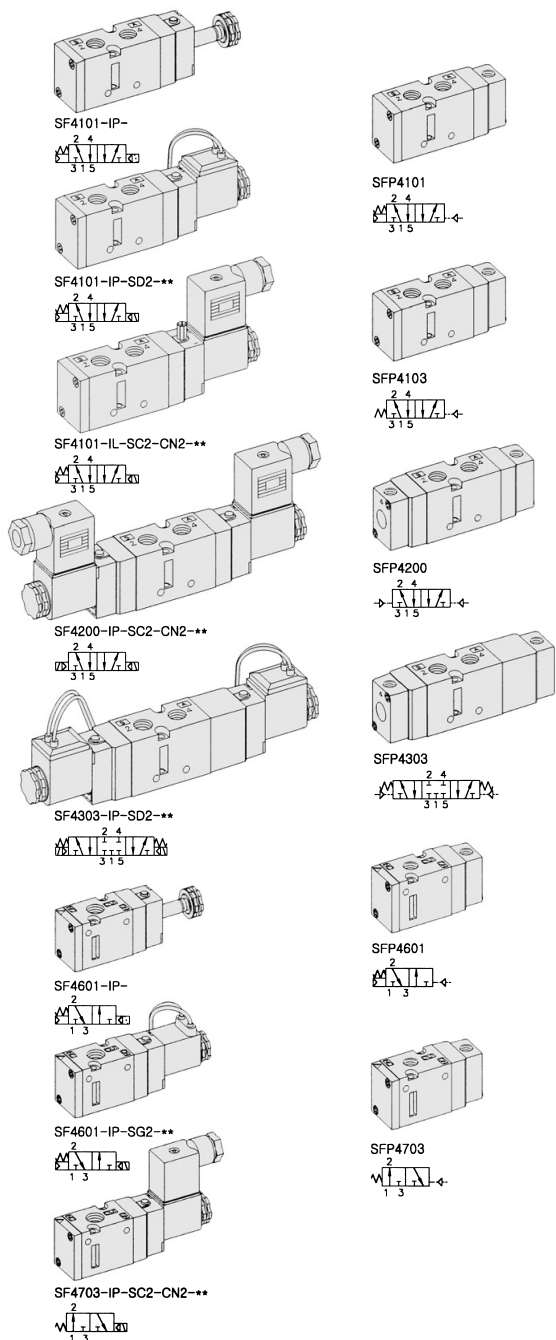


# SF4000. 1/4

"F" FLEXIBLE Series  
Solenoid / Pneumatic Valves

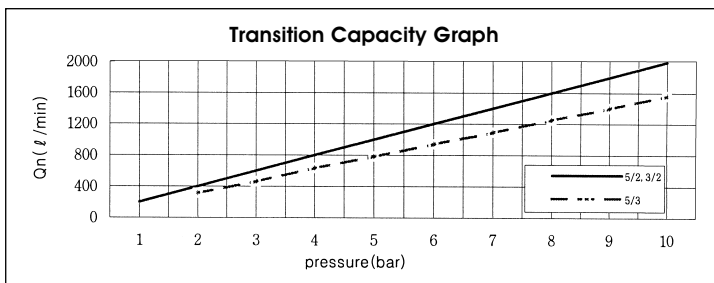
- 5/2, 5/3, 3/2 - 1/4
- 26mm Body Width
- Transition Flow 1000ℓ/min (5bar)



\*\* : Voltage Selection (see page 62)

## SPECIFICATION

ITEM	SERIES	SOLENOID, PNEUMATIC	
		FUNCTION	
		5, 3 Port 2 Position	5 Port 3 Position
Fluids		Compressed Air & Inert Gases	
Pressure(bar)		1.5~10.0	2.0~10.0
Eff. Sectional Area(mm <sup>2</sup> )-5bar		19.0	11.5
Ambient & Fluid Temp.		5~60°C (41~140°F)	
Response Time(5bar)		25ms or Less	35ms or Less
Max. Working Frequency		5c/sec	3c/sec
Lubrication		Not Required(Use ISO VG32 #)	
Manual Override		Push Button(Standard), Lever Lock(Option)	
Coil Insulation Class		F-Class or Equivalent	
Permissible Voltage Variation		±10% of Rated Voltage	
Off Min. Residual Voltage		AC:20% or Less / DC:10% or Less	
Power Consumption		Holding-AC:5.5VA(60Hz) / DC:2.5W	



### The Material of Parts

■ Valve Body : Die-Cast Aluminium	■ Pilot Parts : Glass Filled Nylon
■ Spool : Aluminium	■ Armature : Stainless Steel
■ Seals : NBR	■ Armature Seals : Viton
■ Spring : Stainless	
■ Cap : Zinc Pressure Die-Cast	

\* The specification on each item can be amended without any prenotice to improve a performance.  
\* The specification on each item can be different from actual specification.

## ORDERING NO.

SF4 1 0 1 - I P - SC2 - CN2 - A2

Valve Series	Function	Port Size & Thread	Return Method	Int/Ext. Pilot	Manual Operator	Solenoid Coil Type	Connector Type	Voltage
SF4 : Solenoid Valve	1 5/2 Single	0 G 1/4	0 None	I Internal Pilot	0 None	0 None	0 None	0 None
	2 5/2 Double	1 NPT 1/4	1 Air + Spring		P Push Non-Locking	SC2 3 Pin Connector Coil	CN2 Normal Connector	A2 AC 220V
	3 5/3 Closed Center				L Lever Locking	SG2 Grommet/Flying Leads	CD2 Connector With LED	A1 AC 110V
SFP4 : Pneumatic Valve	4 5/3 Open Center						CZ2 Connector With LED & Surge Suppressor	A4 AC 24V
	5 5/3 Pressure Center					SD2 Grommet/Flying Leads With LED		D4 DC 24V
	6 3/2 Normally Closed							D2 DC 12V
	7 3/2 Normally Open							

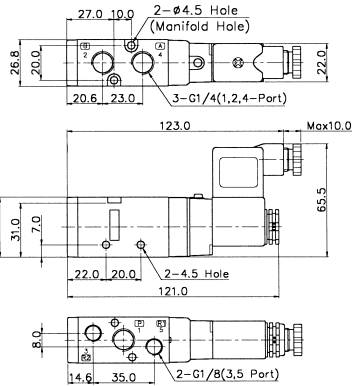


# Solenoid & Pilot Actuated Spool Valves

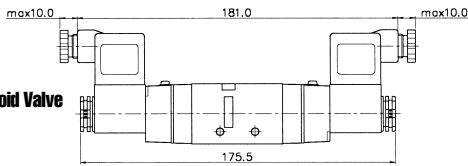
Port Thread 1/4

## 5Port 2Position Solenoid Valve

Single Solenoid  
SF4101-IP-SC2-CN2-\*\*\*

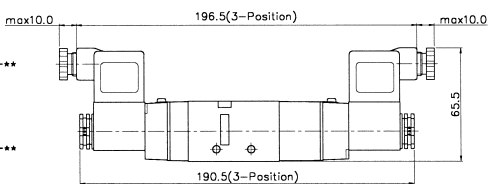


Double Solenoid  
SF4200-IP-SD2-\*\*\*



## 5Port 3Position Solenoid Valve

Closed Center  
SF4303-IP-SC2-CN2-\*\*\*



Exhaust Center  
SF4403-IP-SC2-CN2-\*\*\*



Pressure Center  
SF4503-IP-SC2-CN2-\*\*\*

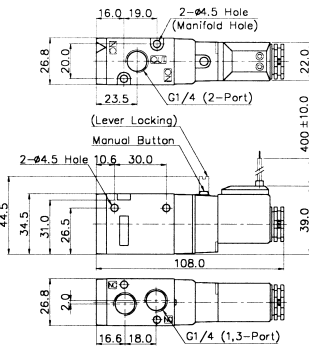


## 3Port 2Position Solenoid Valve

Normally Closed  
SF4601-IP-SD2-\*\*\*

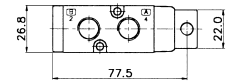


Normally Open  
SF4701-IP-SD2-\*\*\*

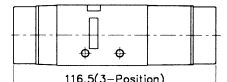
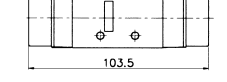
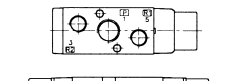
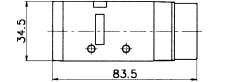


## 5Port 2Position Pneumatic Valve

Single Pneumatic  
SFP4101



Double Pneumatic  
SFP4200



## 5Port 3Position Pneumatic Valve

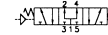
Closed Center  
SFP4303



Exhaust Center  
SFP4403



Pressure Center  
SFP4503

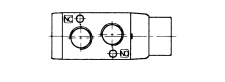
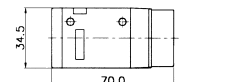
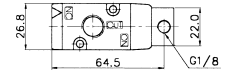


## 3Port 2Position Pneumatic Valve

Normally Closed  
SFP4601



Normally Open  
SFP4701



# MF4000 MANIFOLD BLOCK

(SF4000 Solenoid & Pneumatic Valve Use)

## Manifold Block Ordering Code

MF 4500 - 2

Series	Manifold Station
MF4500	5 Way
MF4300	3 Way

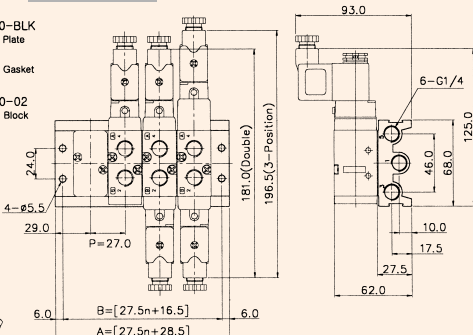
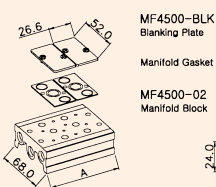
## Blanking Plate Ordering Code

MF4500-BLK  
Blanking Plate.  
(Material: SCP1)  
Manifold Gasket.  
(Material: NBR)

MF4300-BLK  
Blanking Plate.  
(Material: SCP1)  
Manifold Gasket.  
(Material: NBR)

## 5-Port Manifold Block

MF4500-4

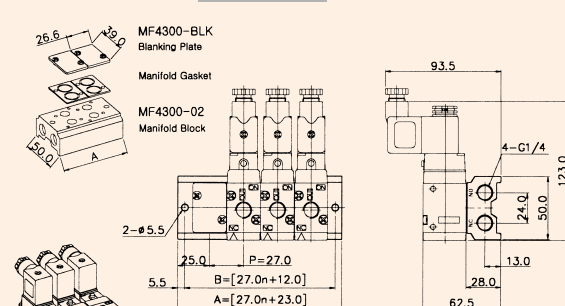
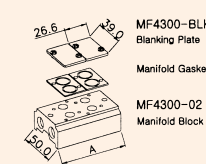


5-PORT MANIFOLD BLOCK DIMENSION n=STATION

ITEM	n	2	4	6	8	10
B		71.5	126.5	181.5	236.5	291.5
A		83.5	138.5	193.5	248.5	303.5

## 3-Port Manifold Block

MF4300-4



3-PORT MANIFOLD BLOCK DIMENSION n=STATION

ITEM	n	2	4	6	8	10
B		66.0	120.0	174.0	228.0	282.0
A		77.0	131.0	185.0	239.0	293.0