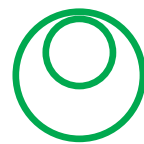


Multipulse - Medium Capacity

Positive Displacement Flowmeters



The Multipulse range of positive displacement flowmeters offer a high level of accuracy and repeatability. These precision meters are used for flowrate measurement in flow monitoring and control applications and for totalising in dispensing and batching. Multipulse meters are suitable for use with a wide range of clean liquids including viscous lubricants, chemicals, food bases and non-conductive low viscosity solvents either pumped or gravity fed.

FEATURES / BENEFITS

- Flows: 0.2~350 litres/min (0.05~90 US gal/min)
- Sizes: 15, 25, 40 & 50mm (1/2", 1", 1 1/2" & 2") connections*
- High accuracy & repeatability, direct reading flowmeter
- No requirement for flow conditioning (straight pipe runs etc)
- Intrinsically safe & explosionproof models available
- Quadrature pulse output option & bi-directional flow

* see also Micropulse & Maxipulse data sheets for other size meters & flow ranges



METER SELECTION

Meters are selected based on flow range, pressure, temperature, material compatibility and functionality.

- **Aluminum Multipulse meters** are ideal for petroleum products including oils and grease, fuels and fuel oils.
- **Stainless steel meters** are suited for chemicals, water based products and the food, cosmetic and pharmaceutical industries.
- **Multipulse meters** are available as blind meters with pulse output or with integral or remote totalisers, flow rate displays or preset batch controllers.
- **Pulse meter** outputs can be interfaced to most electronic displays or instrumentation.



APPLICATIONS INCLUDE

chemicals, additives, resins, acids, alcohols, essences, edible oils, flavourings, food bases, perfumes, adhesives, emulsions, insecticide, paints, inks, oils, fuels, grease, solvents, lubricants.



TRIMEC INDUSTRIES

1/19 Northumberland Road, Caringbah NSW 2229

PO Box 2444 Taren Point NSW 2229 Sydney Australia

Ph: +61 2 9540 4433 Fax: +61 2 9525 9411

email: sales@trimecind.com.au

www.trimecind.com

TRIMEC
INDUSTRIES

Specifications

Model prefix :	MP015	MP025	MP040	MP050
Nominal size (inches)	15mm (1/2")	25mm (1")	40mm (1 1/2")	50mm (2")
Flow range (litres / min)	0.2 ~ 10	2 ~ 50	4 ~ 140	12 ~ 330
Flow range (US gal / min)	0.05 ~ 2.7	0.5 ~ 13	1.1 ~ 37	3.2 ~ 90
Accuracy @ 3cp	±1% o.r. **		± 0.5% of reading	
Improved accuracy	± 0.2% of rate with optional RT12 using NLC			
Repeatability	typically ± 0.03%			
Temperature range	-40°C ~ +200°C (-40°F ~ +390°F)			
Maximum pressure (threaded meters)	bar (PSI)			
aluminium	30 (440)	80 (1200)	30 (440)	20 (300)
316L stainless	100 (1500)	100 (1500)	100 (1500)	38 (560)
high pressure stainless	350 (5150)	200 (2950)	250 (3700)	N/A
Protection class	IP66/67 (NEMA4X), optional Exd IIB T6 or I.S.			
Recommended filtering	150 microns (100 mesh) minimum			
Electrical - for pulse meters (see also optional outputs)				
Output pulse resolution (nominal) :	pulses / litre		pulses / US gallon	
Reed switch	200 (760)	20 (76)	7.3 (28)	2.5 (9.5)
Hall effect	400 (1520)	100 (380)	44 (167)	20 (76)
# Reed switch output	30Vdc x 200mA max.			
Hall effect output (NPN)	3 wire open collector, 5-24Vdc max., 20mA max.			
Optional functions				
Display	flowrate, total (accumulative & resettable)			
Preset batching	1 & 2 stage high speed batch control			
Optional outputs				
Flow	4 ~ 20mA, high & low flow rate alarms			
Pulse	scaled pulse (programmable), pulse amplifier			

** Within nominal spans of MP015 (0.17-1.7, 1.7-5 & 5-10 litres/min)

Maximum thermal shock 10°C (50°F) / min. applies to the reed switch

Model coding

MP015	1/2" (15mm)
MP025	1" (25mm)
MP040	1 1/2" (40mm)
MP050	2" (50mm)

Body material

A	Aluminum
S	316 Stainless Steel
H	High Pressure 316 stainless

Piston material

1	Ertalyte - std. in alum. MP meters - 120°C (250°F) max.
2	PEEK - std. in SS MP meters - 150°C (300°F) max.
3	CFT - 120°C max. (250°F)
9	Special - eg. 200°C (400°F)

Partition material

1	Ceramic (for abrasive liquids)
2	316 Stainless Steel (standard)

O-ring material

1	Viton (standard) -15-+200°C (-5-+400°F)
2	Ethylene Propylene Rubber -150°C (300°F) max.
3	Teflon encapsulated viton -150°C (300°F) max.
4	Buna-N (Nitrile) -65-+100°C (-53-+212°F)

Temperature limits

1	60°C (140°F)
2	120°C (250°F) - see note 1
3	150°C (300°F) - PEEK piston, NPN output
5	120°C (250°F) - see note 2
6	200°C (400°F) - coil output

Process connections

1	BSP (RP) female threaded
2	NPT female threaded
3	* Tri-clamp hygienic ferrules
4	ANSI-150 RF flanges
5	ANSI-300 RF flanges
6	PN16 DIN flanges

Cable entries

with B2 & B3 options only	0	3-6mm cable gland
	1	M20 x 1.5mm
	2	1/2" NPT

Model No. Example

MP015	S	2	2	1	-2	1	2	R2
-------	---	---	---	---	----	---	---	----

Integral options

glass reinforced nylon (GRN)	GRN terminal cover (std.)
	AL Aluminum terminal cover
	SS Stainless terminal cover
2 NPN open collector phased outputs	QP Quadrature pulse output
IECEX & ATEX approved	E1 Explosion proof - Exd
IECEX & ATEX approved	Q1 Exd with Quadrature pulse
accum. & reset totals, pulse output	B2 BT11 dual totaliser
IECEX & ATEX approved	B3 Intrinsically safe BT11 (I.S.)
flow rate, totals & all outputs	R2 RT12 Flow Rate Totaliser
IECEX & ATEX approved	R3 Intrinsically safe RT12 (I.S.)
dc 2 stage batch controller	E0 EB10 batch controller
consult factory	SB Specific build requirement

(1) 120°C (250°F) rating of the pulse meter, 80°C (180°F) rating with BT, RT & EB options.

See temperature code 5 for higher temperature with BT, RT, & EB

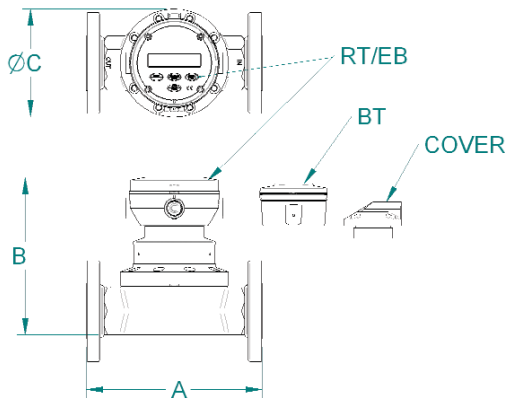
(2) Cooling fin is fitted with integral instruments for operation from 80-120°C (180-250°)

Recommended strainers (air eliminators available)

ST015S1	15mm (1/2") - 316SS
ST025S1	25mm (1") - 316SS
ST040S1	40mm (1 1/2") - 316SS
ST050S1	50mm (2") - 316SS



DIMENSIONS



ALL DIMENSIONS IN MILLIMETERS +/- 2

Modular Fitting	A	A	A	A	Configuration	B	B	B	B
A.N.S.I. 150	132	152	224	253	RT/EB REGISTER	143	179	201	234
A.N.S.I. 300	145	170	239	268	BT REGISTER	134	170	192	225
DN60PN16	140	165	235	258	COVER	111	147	169	204
DN60PN40	144	173	253	270					
B.S.P.	100	117	179	202		C	C	C	C
N.P.T.	100	117	179	202	DIA	75	96	140	166

INTEGRAL AND REMOTE INSTRUMENTS



Integral Instruments



panel instruments



Dual Totaliser



Preset Batcher

Rate Totaliser

Other offices :

TRIMEC (EUROPE)

Ph. UK +44 144 441 7880

Fax: +44 144 441 7668

europe@trimecind.com

TRIMEC (NORTH AMERICA)

Ph. USA +1205 378 1050

Fax: +1205 685 3001

customerservice@trimecus.com

TRIMEC
INDUSTRIES