

MC30 Plug and Socket Coil Unit



DESCRIPTION

Moulded Plug and Socket safe area coil.

FEATURES

- PG.9 cable gland (cable diameter 6 - 8mm)
- Protection class IP65 according to ENBS60529
- Plug connector DIN 43650 - form A / ISO 4400
- Continuously rated
- Maximum permitted voltage variation $\pm 10\%$
- Maximum ambient temperature $+60^{\circ}\text{C}$
- Low power consumption
- Wide range of voltages available

PRODUCT CODE: **AV4525P00**



VOLTAGE

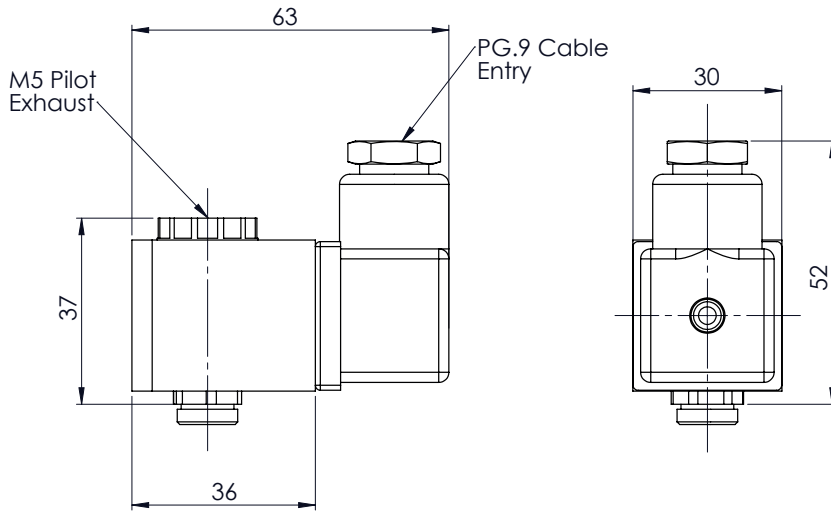
SEE BELOW FOR
PRODUCT CODE
DETAILS

Any of the below options that
are not required enter '0' in
relevant box.

Standard Voltage

- B** 24v DC
- R** 24v AC (50/60 Hz)
- T** 110v AC (50/60 Hz)
- U** 240v AC (50/60 Hz)

DIMENSIONS (mm)



MATERIAL SPECIFICATIONS

STANDARD

| | |
|-------------------------------|---|
| Coil Case | Zinc Alloy Epoxy Powder Coated |
| Plug Connector | Polyamide +30% Glass Filled |
| Armature and Fixed Pole Piece | Magnetic Solenoid Quality Stainless Steel |
| Springs | Stainless Steel |
| Seals and Seats | Nitrile (Viton available) |
| Coil Former | 30% Glass Filled PBR |
| Magnetic Wire | Class H Coated Copper |

SOLENOID SPECIFICATIONS

| Coil Type | DC Solenoid Coil | AC Solenoid |
|-----------------------|------------------|------------------------------|
| Voltage Standard | 24 | 24, 110, 240 (50/60 Hz) |
| Voltage Tolerance | -10% | -10% |
| Ambient Temperature | -20 to +60°C | -20 to +60°C |
| Duty Cycle | 100% | 100% |
| Degree Of Protection | IP65 | IP65 |
| Electrical Connection | PG.9 Cable Gland | PG.9 Cable Gland |
| Power Consumption | 2.0W | Pull In - 9VA, Holding - 5VA |
| Pressure Range | 0 - 10 Bar | 0 - 10 Bar |