

# CLT4.B.26.x.02.Q53.C

825B095F

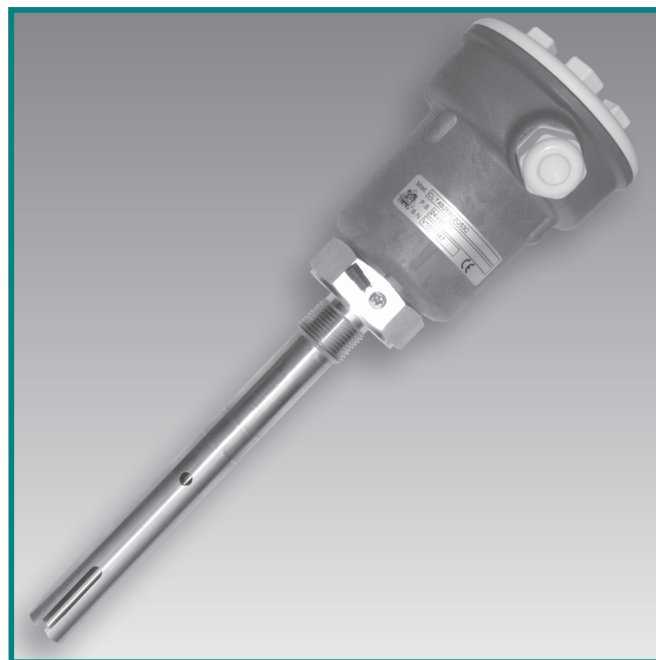
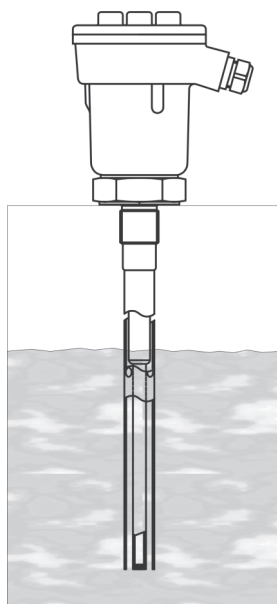
Compact unit for water into oil survey

## Technica Data

Enclosure material :	PC or PBT
Mechanical installation:	1" GAS
Mechanical protection:	IP66
Electrical connection:	2 x 6 pole plug-in connectors
Working temperature:	-30 ÷ +80°C
Power supply:	TC26 24Vdc
Power consumption:	1,5W Vdc
Analog output:	4÷20mA; max load 500 ohm (not used)
Relays output:	1 x SPDT 2A; 230Vac (resistive); for water into oil alarm
Serial port:	RS485 (only for factory setting)
Temperature compensation:	by ref. internal capacitor
Calibration:	2 push-buttons, for self aquisition, or by serial port RS485 and connection with PC and s/w "TC"
LEDs display:	green flashing LED = measure Fix= calibration yellow LED = relay status

## CLT4.B.26.x.02.Q53.C General

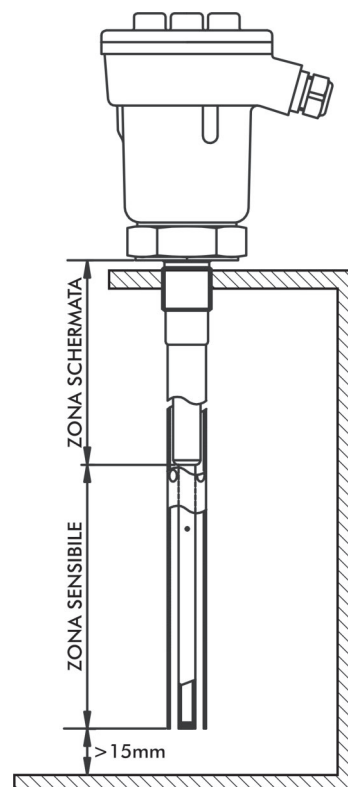
CLT4.compact unit is ready for the installation on tanks. The probe for water into oil survey mounts a TC26 insert inside the IP66 enclosure. The insert is factory setted by using special procedures. The TC26 has a relay with SPDT contact, which changes over when the quantity of water into oil exceeds the 5%. An RS485 serial port allows the calibration and the configuration of the TC26 insert by means of PC with minimum manual operations (PC download). The probes have different mechanical connections and different length L, L1 and L2. There are two types of connections, threaded 1" and 1 1/2" GAS. The capacitance sensor will be factory setted using ESSO NUTO H46 oil or PANOLIN TURWADA oil. The probe must be installed with L2 sensitive part totally immersed into the oil. The TC26 insert has the relay normally closed in energized condition (for safety reasons). The relay de-energizes itself when the sensor detects the presence of 5% of water emulsion into a sensitive zone or when the water level on the tank bottom reaches the probe sensitive zone L2.



## CLT4.B.26.x.02.Q53.C Installation

CLT4.. unit must be installed into the tank, checking that:

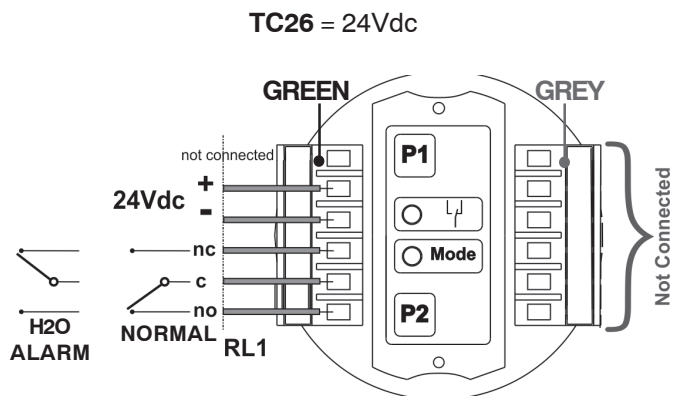
- 1) the distance between the tank bottom and the end of the probe must not be less than 15mm
- 2) the sensitive part must always be immersed, also when the oil is at the minimum level, *otherwise the control is not reliable.*



applied solutions for the applications

## CLT4.B.26.x.02.Q53 Electrical connections

TC26 insert is supplied by direct current as follows:



The power consumption is less than 1,5w.

TC26 insert is installed into the connecting head of the probe: unscrew and remove the cover in order to reach the plug-in connections of the insert. The electrical connections must be made with a multiwires round cable with a diameter suitable to cable glands sealing.

No special cables or distance limits are required.

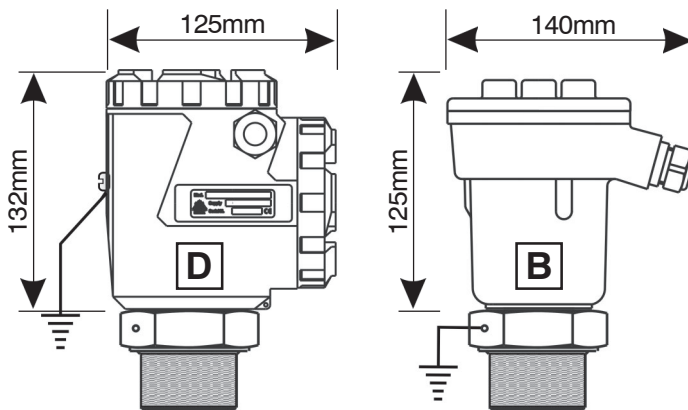
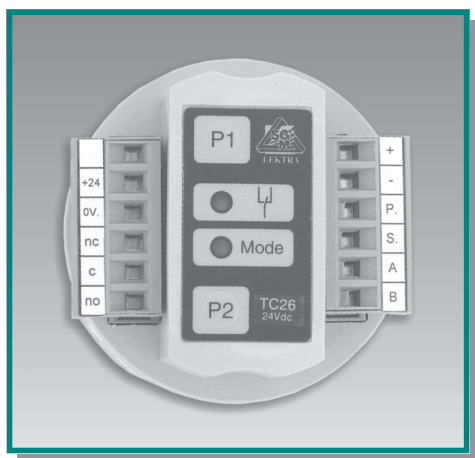
The negative pole of the power supply is electrically connected to the negative pole of the current output.

An RS485 serial port allows the TC26 insert programming by PC.

**WARNING!** Factory setted unit, *do not push any button.*

The probe must be connected to the ground connection of the tank (equipotential connection). A suitable terminal is located on the enclosure side or on the tank mechanical connection.

There are two types of connecting head, both IP66: **B or D**



## CLT4.B.26.x.02.Q53.C Calibration

CLT4 system is calibrated in **SGM laboratories**.

SGM LEKTRA is not responsible for modifications or calibrations made by users.

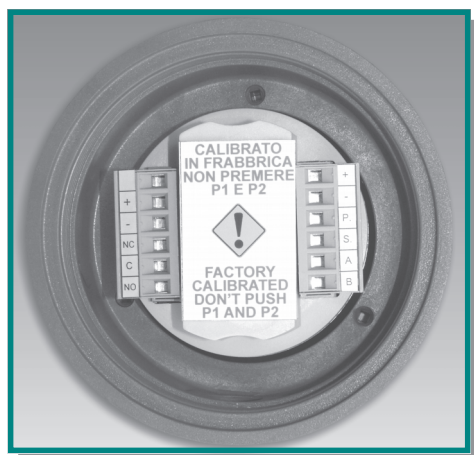
***DO NOT TOUCH P1 AND P2 BUTTONS.***

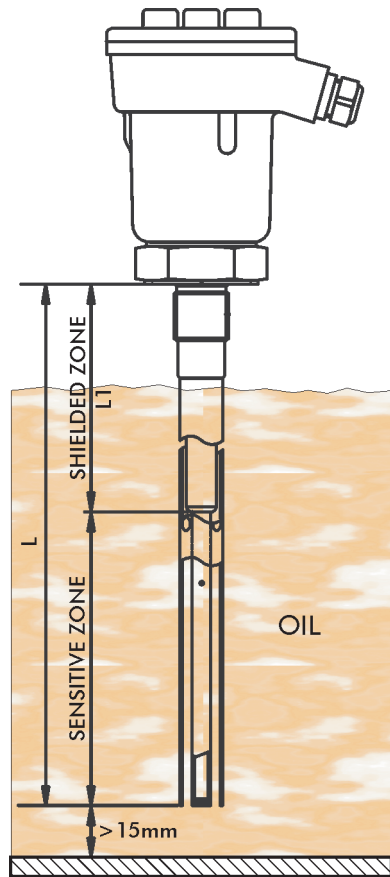
Do not calibrate the TC26 insert positioned inside the probe.

Every TC26 is calibrated according to its probe, it is not possible to install a TC26 insert into other probes than the original one (with different L, L1 and/or L2).

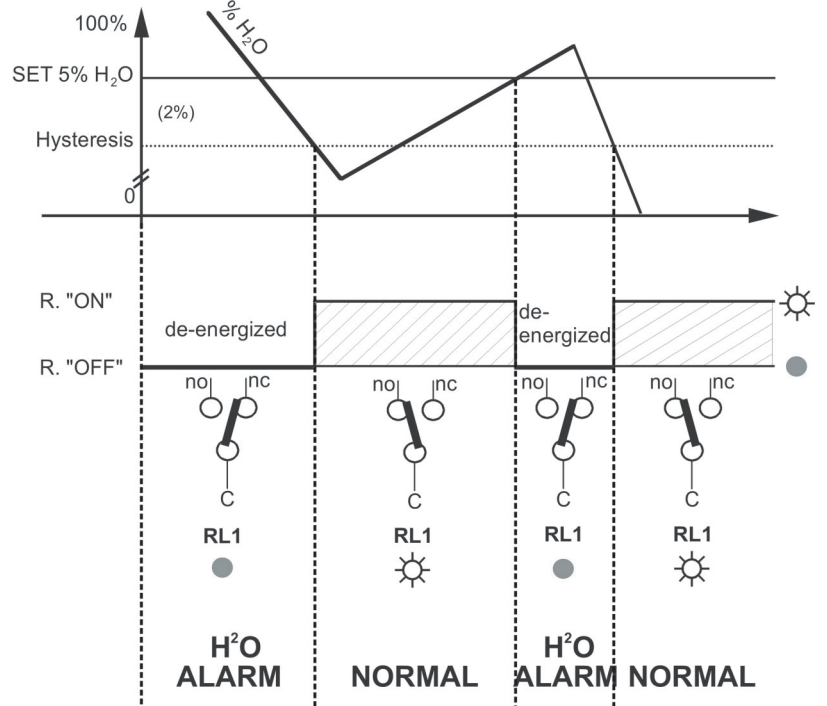
The calibration procedure is made as follows:

- 1) calibration without oil (zero point)
- 2) calibration with oil, probe totally immersed in oil (middle point)
- 3) relay max. set point setting
- 4) check of the switch-on relay due to 5% water emulsion in oil





R.: 5% H<sup>2</sup>O alarm (normally energized)



CLT4.B.26.x.02.Q53.C Mechanical drawing

Unit for H<sub>2</sub>O into oil survey with 1" GAS threaded connection

Ordering code:

CLT4.B.26.x.02.Q.53.C L=\_\_\_, L1=\_\_\_, L2=\_\_\_

"x": identification code of the selected enclosure

L = Lmax = 1500mm

L1 = (non-sensitive zone) L1 max = 800mm

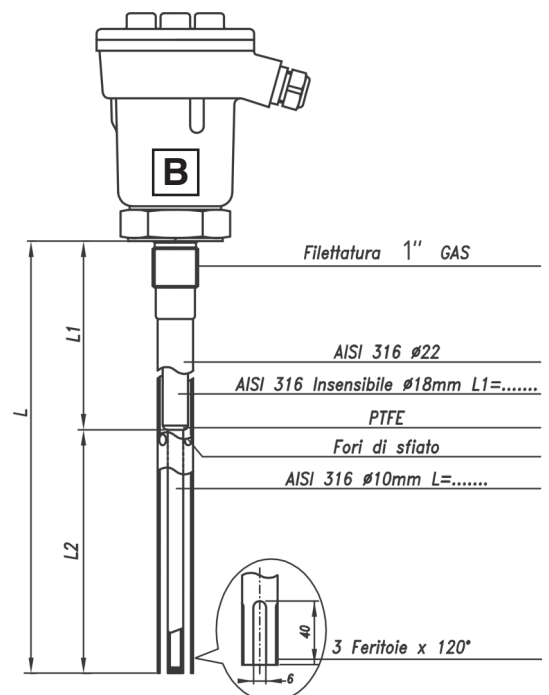
L1 min = 100mm

L2 = (sensitive zone)

L2 min = 170mm

Tipo olio:  NUTH46

PANOLIN TURWADA



## CLT4.B.26.x.02.Q53.C Warranty

Products supplied by SGM LEKTRA are guaranteed for a period of 12 (twelve) months from delivery date according to the conditions specified in our sale conditions document. SGM LEKTRA can choose to repair or replace the Product. If the Product is repaired it will maintain the original term of guarantee, whereas if the Product is replaced it will have 12 (twelve) months of guarantee. The warranty will be null if the Client modifies, repair or uses the Products for other purposes than the normal conditions foreseen by instructions or Contract. In no circumstances shall SGM LEKTRA be liable for direct, indirect or consequential or other loss or damage whether caused by negligence on the part of the company or its employees or otherwise howsoever arising out of defective goods.

## Factory test certificate



In compliance to the company and check procedures SGM LEKTRA certifies that the equipment

CLT4.....

serial number .....

L = ..... L1 = .....

with inside capacitor sensor

TC ..... serial n. ....

NV ..... NP .....

has passed the test of oil  NUT H46  PANOLIN TURWADA oil and water at 5% emulsion immersion, with the correct relay operation.

Quality Control Manager: .....

Production and check date: .....