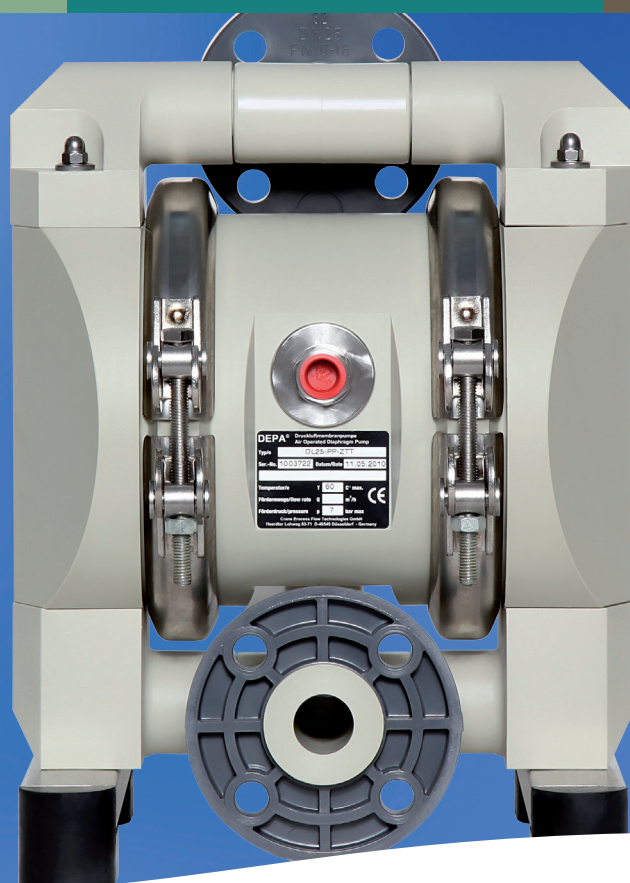


DEPA®

brands you trust.



Technical Datasheet DEPA® Series P Type PP/PL/PM

CRANE®

Crane ChemPharma & Energy

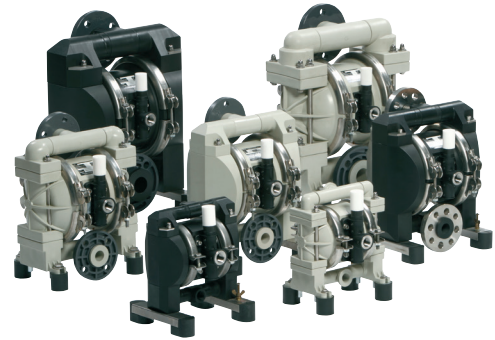
www.depapumps.com
www.cranecpe.com

Features and Benefits

DEPA® Air Operated Double Diaphragm Pumps Series – Type PP/ PL/ PM are made of solid plastic and were developed for pumping corrosive products in the chemical industry.

Key Features

- ❶ **The simple, modular and robust pump set-up** reduces downtimes to a minimum.
- ❷ **The chemically resistant polypropylene** enables the conveyance of corrosive products
- ❸ **Equipped with internal air valve and closed surface diaphragms** without an additional diaphragm plate



Sizes

DEPA® Air Operated Double Diaphragm Pumps made of plastic are available in the product connection sizes ½" (DL15), 1" (DL25), 1 ½" (DL40), 2" (DL50) and 3" (DL80).

Type	15 (½")	25 (1")	40 (1½")	50 (2")	80 (3")
DLxx-PP	●	●	●	●	●
DLxx-PL	●	●	●	●	-
DLxx-PM	●	●	●	-	-

	Size				
	15	25	40	50	80
Suction lift (m), dry	3,5 (PM 2,5)	5,5	5,8(PM 5,5)	5,8	6
Suction lift (m), wet	9,5	9,5	9,5	9,5	9,5
Max. size of solids (mm)	3,5 (PM 2,5)	4	6	8	10
Weight (kg) DLxx-PP	5	10	17	34	75
Weight (kg) DLxx-PL	5	10	17	37	-
Weight (kg) DLxx-PM	6	8,4	13	-	-

Applications

- Chemical industry
- Galvanic and coating
- Paints and varnish
- Pulp and paper industry
- Pharmaceutical industry
- Mechanical and plant engineering
- Power plants and waste disposal technology

Features and Benefits

Temperature

Housing temperature 0° to +60 °C

Product wetted interior	Temperature range (°C)
NBR	-15 to +90
EPDM	-25 to +105
NRS	-15 to +70
FKM*	-5 to +120
DEPA nopped S ⁴ ® Santoprene®	-20 to +110
PTFE	-20 to +100
PTFE Compound	-10 to +130

*a diaphragm based on Viton™ fluoroelastomer, Viton™ is a registered trademark of The Chemours Company

Applied Guidelines

- Machinery Directive 2006/42/EC



Marking and Identification

The pumps are provided with a nameplate including pump code, serial number, date of manufacturing, max. allowed temperature and pressure.

The DEPA® pump coding gives all information about size, material and equipment which allow accurate linkage for linkage to spare parts.



Materials and Characteristics

	PP	PL	PM
Product wetted housing material	Polypropylene	Polypropylene conductive	Polypropylene, injection moulded
Center block and air chamber	Polypropylene	Polypropylene conductive*	Polypropylene
Clamp band	Stainless steel	Stainless steel	Stainless steel
Screws	Stainless steel	Stainless steel	Stainless steel

* Size 50 = PE1000

Pump Sizes and Equipment

DL 25 - PP - S E T

Connection dimensions DN (mm) / inch
Female thread ISO 228-G1/2"
DIN Flange DN25
DIN Flange DN40
DIN Flange DN50
DIN Flange DN80

	Wetted Parts	Center Block
PP	Polypropylene	Polypropylene
PL	Polypropylene conductive	Polypropylene conductive*
PM	Polypropylene injection moulded	Polypropylene

* Size 50 = PE1000

Material Options			
Material	Diaphragm	Valve Seat	Valve Ball
NBR	1	N	N ¹⁾
EPDM	2	E	E ¹⁾
NRS	5	B	B ¹⁾
FKM	4	F	-
EPDM grey	3	-	-
PTFE	T	T	T
PTFE compound diaphragm	Z	-	-
Stainless steel	-	R	R
NBR with core	-	-	Y ¹⁾
NRS with core	-	-	V ¹⁾
EPDM with core	-	-	W ¹⁾
PTFE with core	-	-	Z ¹⁾

1) Not for size 15 (Further material options are available upon request)



Flexiport Dimensions

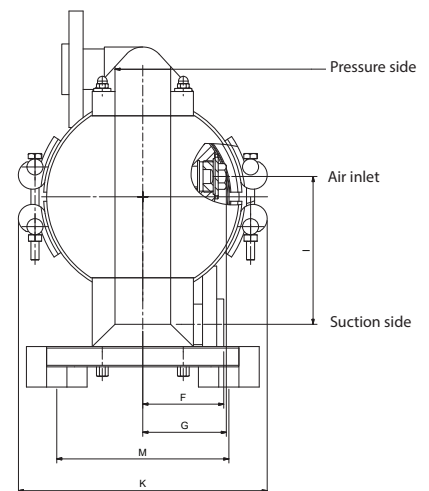
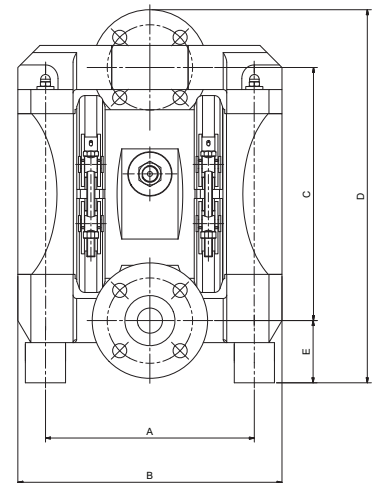
Dimensions of the different sizes:

Designation	Type PP/PL Size (mm)				
	15*	25	40	50	80
A	170	208	267	341	418
B	212	263	353	451	558
C	185	252	334	448	578
D	260	372	489	622	785
E	60	62	80	91	107
F	28	80	92	126	125
G	55	83	91	121	104
I	95	146	187	251	315
K	195	246	290	361	445
M	135	170	195	250	330
Air connection, internal Air Valve	G 1/4"	G 3/8"	G 3/8"	G 3/4"	G 3/4"
Air connection, external Air Valve (M-valve)	G 1/2"		-		

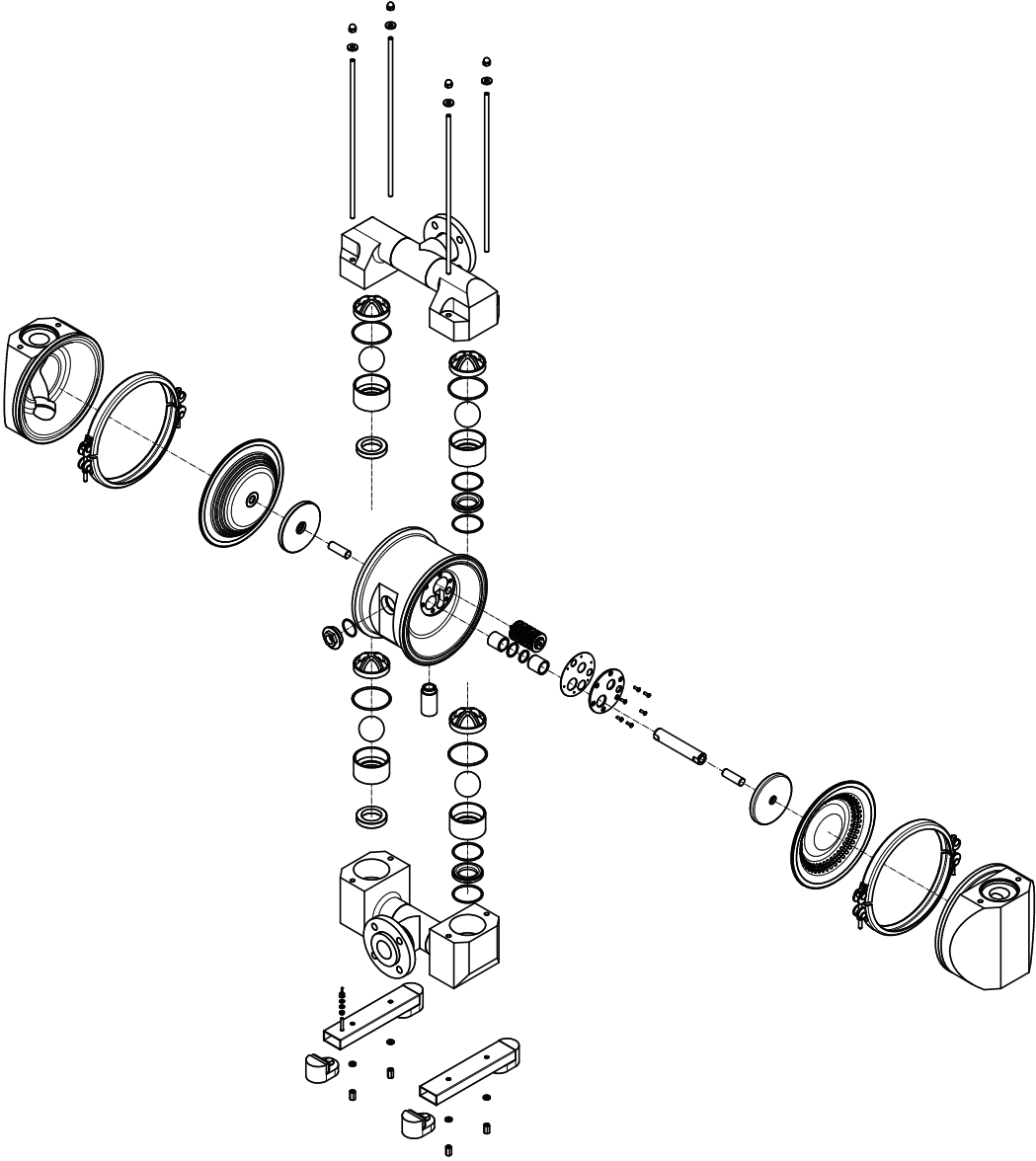
* Dimensions without flange

Designation	Type PM Size (mm)		
	15*	25	40
A	170	208	267
B	212	266	349
C	183	250,3	335
D	263	370	490
E	60	62	80
F	28	84	92
G	55	81	92
I	94	145,15	185
K	174	246	290
M	112,5	144	190
Air connection, internal Air Valve	G 1/4"	G 3/8"	G 3/8"
Air connection, external Air Valve (M-valve)	G 1/2"		

* Dimensions without flange



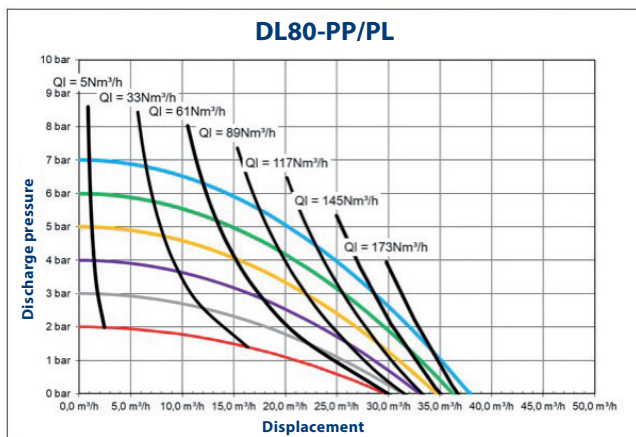
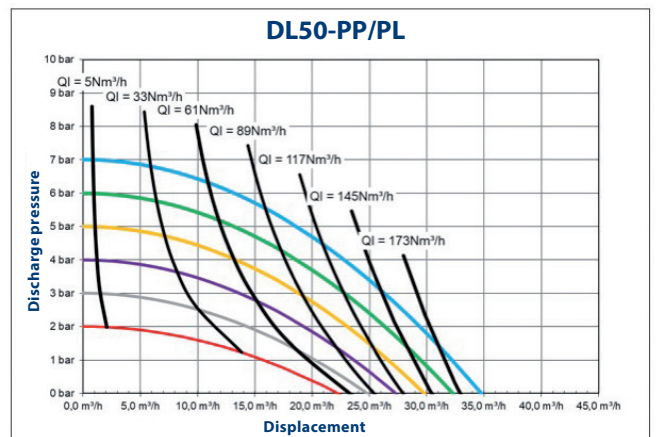
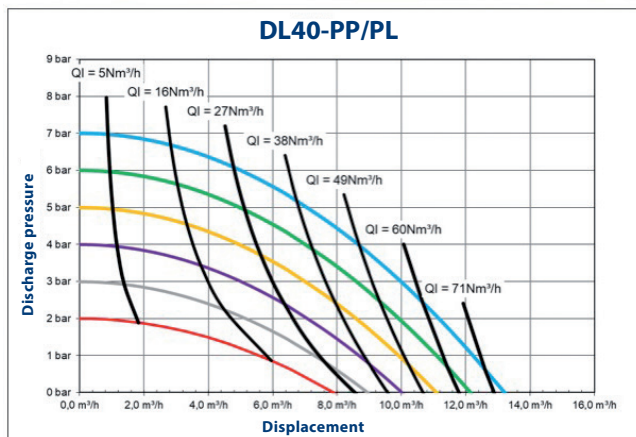
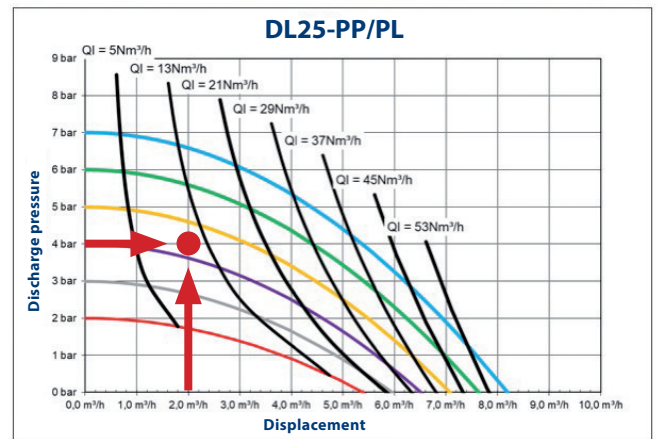
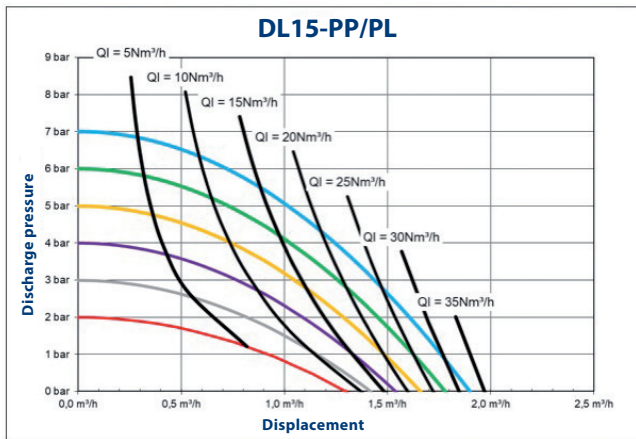
Exploded View



Performance Curves

Example for pump selection

Required is 2 m³/h as the flow rate at a discharge pressure of 4 bar. Recommend is the DL25 for this application. The needed air supply pressure is 4,3 bar. This equals an air consumption rate of 10 m³/h (between Ql = 5 m³/h and Ql = 13 m³/h).



DEPA®

Crane ChemPharma & Energy

Crane Process Flow Technologies GmbH

Heerdter Lohweg 63-71

40549 Düsseldorf, Germany

Tel.: +49 211 5956-0

E-Mail: depa@cranecpe.com

www.cranecpe.com

www.depapumps.com

CRANE®



brands you trust.



CPE-DEPA-DL-P-TD-E-A4-2020_04_15
Edition 04/2020

Crane Co., and its subsidiaries cannot accept responsibility for possible errors in catalogues, brochures, other printed materials, and website information. Crane Co. reserves the right to alter its products without notice, including products already on order provided that such alteration can be made without changes being necessary in specifications already agreed. All trademarks in this material are property of the Crane Co. or its subsidiaries. The Crane and Crane brands logotype, in alphabetical order, (ALOYCO®, CENTER LINE®, COMPAC-NOZ®, CRANE®, DEPA®, DUO-CHEK®, ELRO®, FLOWSEAL®, JENKINS®, KROMBACH®, NOZ-CHEK®, PACIFIC VALVES®, RESISTOFLEX®, REVO®, SAUNDERS®, STOCKHAM®, TRIANGLE®, UNI-CHEK®, WTA®, and XOMOX®) are registered trademarks of Crane Co. All rights reserved.