

# IP55 IS adapter

## *Salwico NS-ADAPT-IS*

Part no. N1422

System: All Salwico fire alarm systems



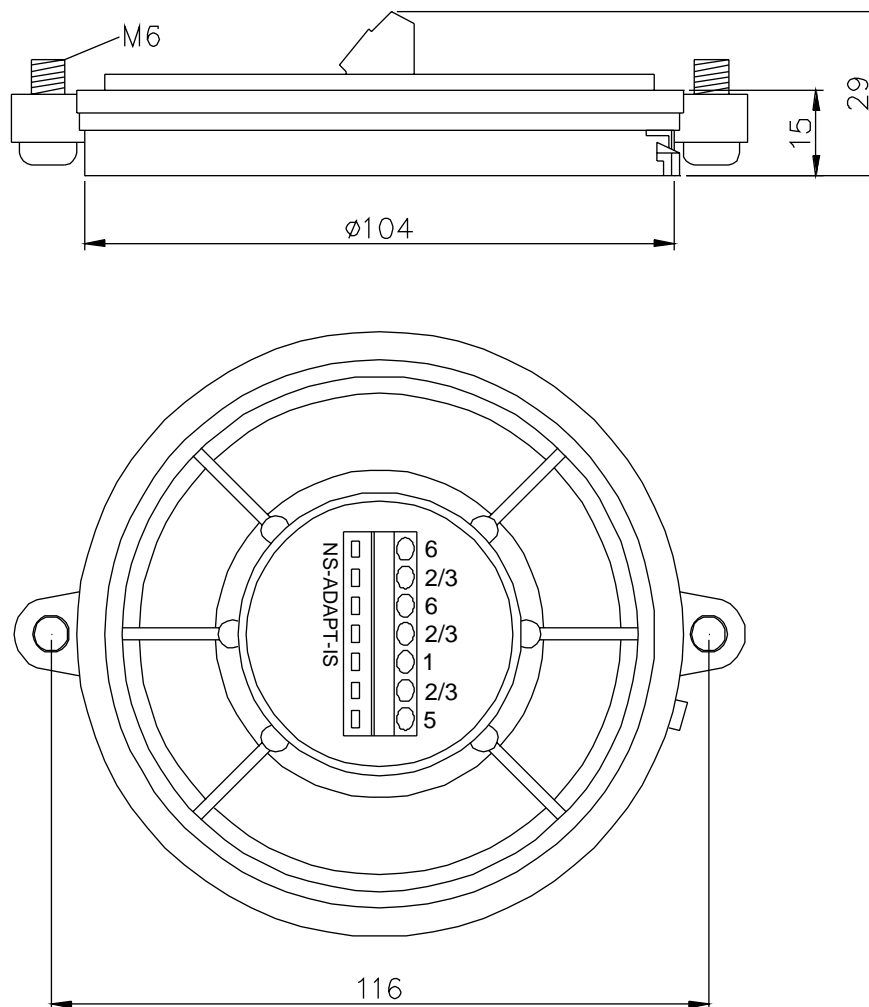
### Description

The NS-ADAPT-IS is an IS (intrinsically safe) adapter for the base NS-2IP55 (part no. 46900) or 2IP55 (part no. 46950). Only IS detectors can be connected to this adapter. The adapter can be used for both addressable and conventional fire alarm systems. The NS-ADAPT-IS has an IS-label on the side. NB! The classification society might have additional installation requirements than what is mentioned in this data sheet.

### Data

Cable terminals	2.5 mm <sup>2</sup>
Ingress protection	IP55 (mounted on the base NS-2IP55 or 2IP55)
Colour	White
Weight	~105 g

### Dimensions (mm)

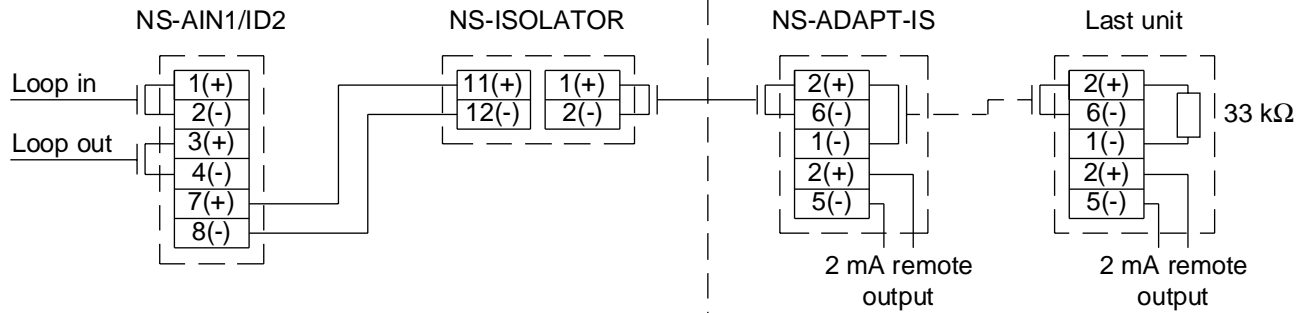


# Connection

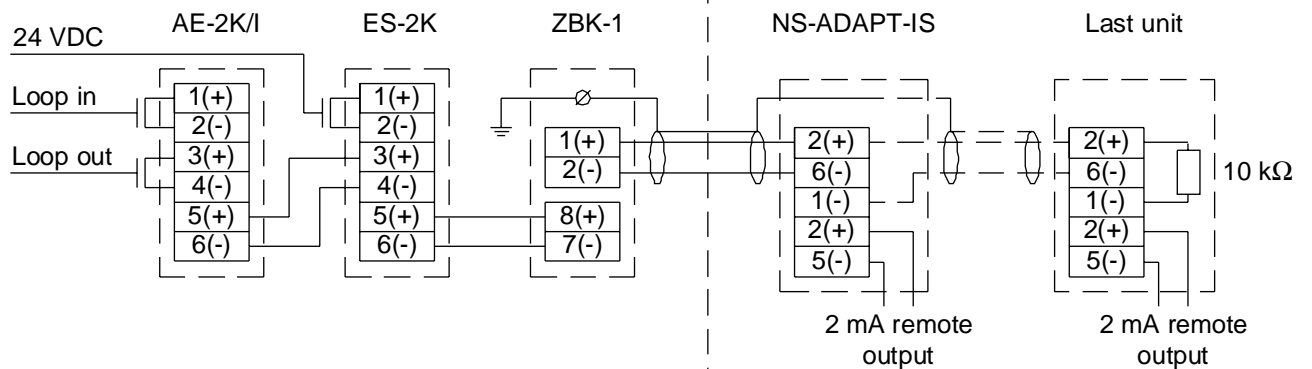
Safe area

Hazardous area

## NSAC-1



## CS3000, CS3004



## C300, C303, C308, C316

